

# SURGICEL\*

## FIBRILLAR

# TABOTAMP\*

## FIBRILLAR

**Absorbable Haemostat** (oxidised regenerated cellulose)

**Resorbierbares Hämostatikum** (Oxidierte, regenerierte Zellulose)

**Hémostatique résorbable** (cellulose régénérée oxydée)

**Emostatico assorbibile** (cellulosa ossidata rigenerata)

**Hemostático absorbible** (celulosa regenerada oxidada)

**Absorberbar hemostatisk produkt** (Oxiderad regenererad cellulosa)

**Absorbeerbaar haemostaticum** (geoxideerde geregeneerde cellulose)

**Hemostático Absorvível** (celulose regenerada oxidada)

**Imukykyinen hemostaatti** (hapetettua regeneroitua selluloosaa)

**Resorberbart hæmostat** (oxideret regenereret cellulose)

**Απορροφήσιμο Αιμοστατικό** (οξειδωμένη αναγεννηθείσα κυτταρίνη)

**Absorberbar hemostat** (oksidert regenerert cellulose)

**Wchłaniany materiał hemostatyczny**

(celuloza regenerowana w procesie utleniania)

**Felszívódó vérzéscsillapító** (oxidált regenerált cellulóz)

**Vstřebatelný hemostat** (oxidovaná regenerovaná celulóza)

**Vstřebateľné hemostatikum** (oxidovaná regenerovaná celulóza)

**Sredstvo za zaustavitev krvavitve** (oksidirana regenerirana celuloza)

**Absorbējošs hemostatisks līdzeklis** (oksidēta reģenerēta celuloze)

**Sugeriamasis hemostatikas** (oksiduota perdirbta celiuliozė)

**Absorbable Haemostat** (oksideeritud regenereeritud tselluloos)

**Emilebilir Hemostat** (oksidize rejenere selüloz)

**止血膠棉** (氧化再生纖維素)

**Рассасывающийся гемостатический материал**

(окисленная восстановленная целлюлоза)

**STERILE | R**

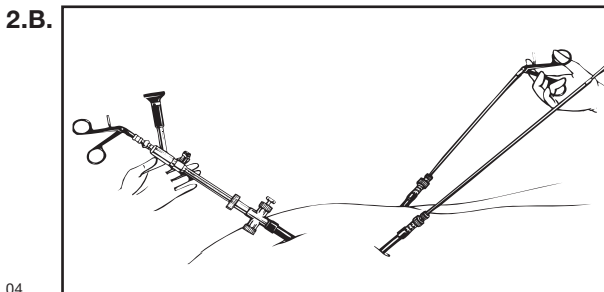
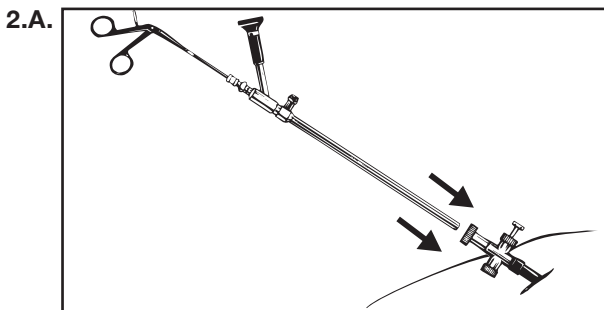
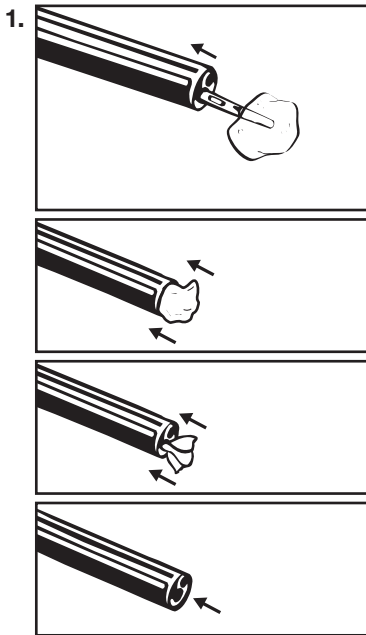


Johnson & Johnson

Wound Management



|             |             |
|-------------|-------------|
| English     | Page 05     |
| Deutsch     | Seite 08    |
| Français    | Page 11     |
| Italiano    | Pagina 14   |
| Español     | Página 17   |
| Svenska     | Sidan 20    |
| Nederlands  | Pagina 23   |
| Português   | Página 26   |
| Suomi       | Sivu 29     |
| Dansk       | Side 32     |
| Ελλάς       | Σελις 35    |
| Norsk       | Site 38     |
| Polski      | Strona 41   |
| Magyar      | 44. oldal   |
| Čeština     | Strana 47   |
| Slovenčina  | Strana 50   |
| Slovenščina | Stran 53    |
| Latviešu    | Lapa 56     |
| Lietuvių    | Puslapis 59 |
| Eesti       | Lehekülg 62 |
| Türkçe      | sayfa 65    |
| 中文          | 页 68        |
| Русский     | Страница 71 |
| Symbols     | Page 74     |



## **GB** Description

SURGICEL® FIBRILLAR Absorbable Haemostat is a sterile absorbable fibrous material prepared by the controlled oxidation of regenerated cellulose. The fabric is white with a pale yellow cast and has a faint, caramel-like aroma. It is strong and can be sutured or cut without fraying. It is stable and should be stored at controlled room temperature. A slight discolouration may occur with age, but this does not affect performance.

The fibrillar form of the product allows the surgeon to grasp with forceps any amount of SURGICEL FIBRILLAR Haemostat needed to achieve haemostasis at a particular bleeding site. This makes it convenient for hard to reach or irregularly shaped bleeding sites. Although it is easy to pull the desired amount of SURGICEL FIBRILLAR Haemostat from the entire supply, the group of selected fibres continue to cohere to one another and application to the bleeding site is easily controlled. Unwanted dispersal over the operative site does not occur.

## Actions

The mechanism of action whereby SURGICEL FIBRILLAR Haemostat accelerates clotting is not completely understood, but it appears to be a physical effect rather than any alteration of the normal physiologic clotting mechanism. After SURGICEL FIBRILLAR Haemostat has been saturated with blood, it swells into a brownish or black gelatinous mass which aids in the formation of a clot, thereby serving as a haemostatic adjunct in the control of local haemorrhage. When used properly in minimal amounts, SURGICEL FIBRILLAR Haemostat is absorbed from the sites of implantation with practically no tissue reaction. Absorption depends upon several factors including the amount used, degree of saturation with blood, and the tissue bed.

In addition to its local haemostatic properties, SURGICEL FIBRILLAR Haemostat is bactericidal *in vitro* against a wide range of gram positive and gram negative organisms including aerobes and anaerobes. SURGICEL FIBRILLAR Haemostat is bactericidal *in vitro* against strains of species including those of:

*Staphylococcus aureus*

*Staphylococcus epidermidis*

*Micrococcus luteus*

*Streptococcus pyogenes* Group A

*Streptococcus pyogenes* Group B

*Streptococcus salivarius*

*Branhamella catarrhalis*

*Escherichia coli*

*Klebsiella aerogenes*

*Lactobacillus* sp.

*Salmonella enteritidis*

*Shigella dysenteriae*

*Serratia marcescens*

methicillin-resistant *Staphylococcus aureus* (MRSA)

penicillin-resistant *Streptococcus pneumoniae* (PRSP)

vancomycin-resistant *Enterococcus* (VRE)

methicillin-resistant *Staphylococcus epidermidis* (MRSE)

*Bacillus subtilis*

*Proteus vulgaris*

*Corynebacterium xerosis*

*Mycobacterium phlei*

*Clostridium tetani*

*Clostridium perfringens*

*Bacteroides fragilis*

*Enterococcus*

*Enterobacter cloacae*

*Pseudomonas aeruginosa*

*Pseudomonas stutzeri*

*Proteus mirabilis*

Studies conducted in animals show that SURGICEL FIBRILLAR Haemostat in contrast to other haemostatic agents does not enhance experimental infection. SURGICEL FIBRILLAR Haemostat is not, however, an alternative to systemically applied therapeutic or prophylactic antimicrobial agents.

SURGICEL FIBRILLAR Haemostat can be used in many areas of surgery, e.g. cardiovascular surgery, haemorrhoidectomy, implantation of vascular prostheses, biopsies, lung operations, surgery to the face and jaw, gastric resection, operations on the throat or nose, liver and gall bladder operations, gynaecological operations, thoracic and abdominal sympathectomies, neurosurgery, especially cerebral operations, thyroid operations, skin transplantations, and treatment of superficial injuries.

## Indications

SURGICEL FIBRILLAR Haemostat is used adjunctively in surgical procedures to assist in the control of capillary, venous, and small arterial haemorrhage when ligation or other conventional methods of control are impractical or ineffective. SURGICEL FIBRILLAR Haemostat can be cut to size for use in endoscopic procedures.

## Contraindications

- Although packing or wadding sometimes is medically necessary, SURGICEL FIBRILLAR Haemostat should not be used in this manner, unless it is to be removed after haemostasis is achieved. (See Warnings and Precautions).
- SURGICEL FIBRILLAR Haemostat should not be used for implantation in bone defects, such as fractures, since there is a possibility of interference with callus formation and a theoretical chance of cyst formation.
- When SURGICEL FIBRILLAR Haemostat is used to help achieve haemostasis in, around, or in proximity to foramina in bone, areas of bony confine, the spinal cord, or the optic nerve and chiasm, it must always be removed after haemostasis is achieved since it will swell and could exert unwanted pressure.
- SURGICEL FIBRILLAR Haemostat should not be used to control haemorrhage from large arteries.
- SURGICEL FIBRILLAR Haemostat should not be used on non-haemorrhagic serous oozing surfaces,

since body fluids other than whole blood, such as serum, do not react with SURGICEL FIBRILLAR Haemostat to produce satisfactory haemostatic effect.

- SURGICEL FIBRILLAR Haemostat should not be used as an adhesion prevention product.

## Warnings

- SURGICEL FIBRILLAR Haemostat is supplied sterile and as the material is not compatible with autoclaving or ethylene oxide sterilization SURGICEL FIBRILLAR Haemostat should not be re-sterilised.
- SURGICEL FIBRILLAR Haemostat is not intended as a substitute for careful surgery and the proper use of sutures and ligatures.
- Closing SURGICEL FIBRILLAR Haemostat in a contaminated wound without drainage may lead to complications and should be avoided.
- The haemostatic effect of SURGICEL FIBRILLAR Haemostat is greater when it is applied dry; therefore it should not be moistened with water or saline.
- SURGICEL FIBRILLAR Haemostat should not be impregnated with anti-infective agents or with other materials such as buffering or haemostatic substances. Its haemostatic effect is not enhanced by the addition of thrombin, the activity of which is destroyed by the low pH of the product.
- Although SURGICEL FIBRILLAR Haemostat may be left *in situ* when necessary, it is advisable to remove it once haemostasis is achieved. It must **always** be removed from the site of application when used in, around, or in proximity to foramina in bone, areas of bony confine, the spinal cord, and/or the optic nerve and chiasm regardless of the type of surgical procedure because SURGICEL FIBRILLAR Haemostat, by swelling, may exert pressure resulting in paralysis and/or nerve damage. Dislodgement of SURGICEL FIBRILLAR Haemostat could possibly occur by means such as repacking, further intraoperative manipulation, lavage, exaggerated respiration, etc. There have been reports that in procedures such as lobectomy, laminectomy and repair of a frontal skull fracture and lacerated lobe that SURGICEL FIBRILLAR Haemostat, when left in the patient after closure, migrated from the site of application into foramina in bone around the spinal cord resulting in paralysis and, in another case, the left orbit of the eye, causing blindness. While these reports cannot be confirmed, special care must be taken by physicians, **regardless of the type of surgical procedure**, to consider the advisability of removing SURGICEL FIBRILLAR Haemostat after haemostasis is achieved.
- Although SURGICEL FIBRILLAR Haemostat is bactericidal against a wide range of pathogenic microorganisms, it is not intended as a substitute for systemically administered therapeutic or prophylactic antimicrobial agents to control or prevent post-operative infections.

## Precautions

- Use only as much SURGICEL FIBRILLAR Haemostat as is necessary for haemostasis, holding it firmly in place until bleeding stops. Remove any excess before surgical closure in order to facilitate absorption and minimize the possibility of foreign body reaction.
- In urological procedures, minimal amounts of SURGICEL FIBRILLAR Haemostat should be used and care must be exercised to prevent plugging of the urethra, ureter, or a catheter by dislodged portions of the product.
- Since absorption of SURGICEL FIBRILLAR Haemostat could be prevented in chemically cauterized areas, its use should not be preceded by application of silver nitrate or any other escharotic chemicals.
- If SURGICEL FIBRILLAR Haemostat is used temporarily to line the cavity of large open wounds, it should be placed so as not to overlap the skin edges. It should also be removed from open wounds by forceps or by irrigation with sterile water or saline solution after bleeding has stopped.
- Precautions should be taken in otorhinolaryngologic surgery to assure that none of the material is aspirated by the patient. (Examples: controlling haemorrhage after tonsillectomy and controlling epistaxis).
- Care should be taken not to apply SURGICEL FIBRILLAR Haemostat too tightly when it is used as a wrap during vascular surgery (see Adverse Reactions).

## Directions for use in endoscopic procedures:

(see figures 1 and 2 on page 04).

*Figure 1. SURGICEL FIBRILLAR Haemostat should be cut to the appropriate size for endoscopic placement. Standard endoscopic procedures should be used up to the point of placement of the absorbable haemostat. Grasp the SURGICEL FIBRILLAR Haemostat at one corner. With a steady backward motion, pull the material into the operating channel until the material is enclosed in the end of the laparoscope.*

*Figure 2.A. Place the laparoscope back into the patient via the sleeve and reposition the scope over the area of desired application. Slowly push the grasping instrument and material into the cavity.*

*Figure 2.B. With the use of grasping instruments in a second and/or third auxiliary site, placement can be made and the material positioned in place.*

## Adverse reactions

- "Encapsulation" of fluid and foreign body reactions have been reported.
- There have been reports of stenotic effect when SURGICEL FIBRILLAR Haemostat has been applied as a wrap during vascular surgery. Although it has not been established that the stenosis was directly related to the use of SURGICEL FIBRILLAR Haemostat, it is important to be cautious and avoid applying the material tightly as a wrapping.
- Paralysis and nerve damage have been reported when SURGICEL FIBRILLAR Haemostat was used around, in, or in proximity to foramina in bone, areas of bony confine, the spinal cord, and/or the optic

nerve and chiasm. While most of these reports have been in connection with laminectomy, reports of paralysis have also been received in connection with other procedures. Blindness has been reported in connection with surgical repair of a lacerated left frontal lobe when SURGICEL FIBRILLAR Haemostat was placed in the anterior cranial fossa (see Warnings and Precautions).

- Possible prolongation of drainage in cholecystectomies and difficulty passing urine per urethra after prostatectomy have been reported. There has been one report of a blocked ureter after kidney resection, in which postoperative catheterization was required.
- Occasional reports of "burning" and "stinging" sensations and sneezing when SURGICEL FIBRILLAR Haemostat has been used as packing in epistaxis, are believed to be due to the low pH of the product.
- Burning has been reported when SURGICEL FIBRILLAR Haemostat was applied after nasal polyp removal and after haemorrhoidectomy. Headache, burning, stinging and sneezing in epistaxis and other rhinological procedures. Also stinging when SURGICEL FIBRILLAR Haemostat was applied on surface wounds (varicose ulcerations, dermabrasions and donor sites) have been reported.

### **Dosage and administration**

Sterile technique should be observed in removing SURGICEL FIBRILLAR Haemostat from its sterile container. Minimal amounts of SURGICEL FIBRILLAR Haemostat in appropriate size are laid on the bleeding site or held firmly against the tissues until haemostasis is obtained.

The amount required depends on the nature and intensity of the haemorrhage to be stopped. The haemostatic effect of SURGICEL FIBRILLAR Haemostat is particularly pronounced when used dry. Moistening the material with water or physiological saline solution is not recommended.

### **Storage and shelf-life**

SURGICEL FIBRILLAR Haemostat should be stored dry under controlled conditions (15°C-30°C) and protected from direct sunlight, in the original packaging.

**Do not use if individual pack damaged/opened. Do not re-sterilise. The supplied SURGICEL FIBRILLAR Haemostat is available sterile as an original pack in variable sizes.**

**The use by date of this product is printed on the packaging. Do not use SURGICEL FIBRILLAR Haemostat after this date.**

## **DE** Beschreibung

Das TABOTAMP\* FIBRILLAR resorbierbare Hämostatikum ist ein steriles, resorbierbares fibröses Material, das mittels kontrollierter Oxidation regenerierter Zellulose hergestellt wird. Das Material ist weiß bis leicht gelblich und hat einen schwachen, karamellartigen Geruch. Es ist formstabil und kann genäht oder geschnitten werden ohne auszufransen. Es ist stabil und sollte bei kontrollierter Raumtemperatur gelagert werden. Bei längerer Lagerung kann es zu einer geringen Verfärbung kommen, die allerdings die Produkteigenschaften nicht beeinflusst.

Die Faserform des Produktes macht es dem Chirurgen möglich, mit seiner Pinzette jede gewünschte Menge des TABOTAMP FIBRILLAR Hämostatikums zu greifen, die notwendig ist, um an einer bestimmten blutenden Stelle eine Blutstillung zu bewirken. Daher ist das Produkt für schwer erreichbare oder unregelmäßig geformte blutende Stellen gut geeignet. Obgleich es einfach ist, die gewünschte Menge TABOTAMP FIBRILLAR Hämostatikum aus der Gesamtmenge zu ziehen, kleben die herausgegriffenen Fasern trotzdem weiterhin zusammen, sodass sich die Implantationsstelle leicht kontrollieren lässt. Es kommt zu keiner unerwünschten Verteilung an der Operationsstelle.

## Wirkmechanismus

Der Mechanismus, durch den das TABOTAMP FIBRILLAR Hämostatikum die Koagulation beschleunigt, wird noch nicht ganz verstanden, es scheint sich dabei jedoch um eine physikalische Wirkung und nicht um eine Änderung des normalen physiologischen Koagulationsmechanismus zu handeln. Nachdem das TABOTAMP FIBRILLAR Hämostatikum mit Blut gesättigt ist, quillt es zu einer bräunlichen bis schwarzen gallertartigen Masse auf, die die Bildung eines Gerinnsels fördert, und dadurch als hämostatisches Hilfsmittel bei der Stillung lokaler Blutungen dient. Bei korrekter Anwendung in geringen Mengen wird das TABOTAMP FIBRILLAR Hämostatikum von den Implantationsstellen ohne nennenswerte Gewebereaktion resorbiert. Die Resorption hängt dabei von verschiedenen Faktoren ab, unter anderem von der verwendeten Menge, dem Grad der Sättigung mit Blut, sowie der Gewebeschicht.

Zusätzlich zu seinen lokalen hämostatischen Eigenschaften wirkt das TABOTAMP FIBRILLAR Hämostatikum *in vitro* bakterizid gegenüber einem breiten Spektrum von gram-positiven und gram-negativen Organismen, einschließlich Aerobier und Anaerobier. Das TABOTAMP FIBRILLAR Hämostatikum wirkt *in vitro* unter anderem gegen die folgenden Stämme bakterizid:

|  |                                |
|--|--------------------------------|
| <i>Staphylococcus aureus</i>                                     | <i>Bacillus subtilis</i>       |
| <i>Staphylococcus epidermidis</i>                                | <i>Proteus vulgaris</i>        |
| <i>Micrococcus luteus</i>  | <i>Corynebacterium xerosis</i> |
| <i>Streptococcus pyogenes</i> Gruppe A                           | <i>Mycobacterium phlei</i>     |
| <i>Streptococcus pyogenes</i> Gruppe B                           | <i>Clostridium tetani</i>      |
| <i>Streptococcus salivarius</i>                                  | <i>Clostridium perfringens</i> |
| <i>Branhamella catarrhalis</i>                                   | <i>Bacteroides fragilis</i>    |
| <i>Escherichia coli</i>  | <i>Enterococcus</i>            |
| <i>Klebsiella aerogenes</i>                                      | <i>Enterobacter cloacae</i>    |
| <i>Lactobacillus</i> sp.   | <i>Pseudomonas aeruginosa</i>  |
| <i>Salmonella enteritidis</i>                                    | <i>Pseudomonas stutzeri</i>    |
| <i>Shigella dysenteriae</i>                                      | <i>Proteus mirabilis</i>       |
| <i>Serratia marcescens</i>                                       |                                |
| Methizillin-resistenter <i>Staphylococcus aureus</i> (MRSA)      |                                |
| Penicillin-resistenter <i>Streptococcus pneumoniae</i> (PRSP)    |                                |
| Vancomycin-resistenter <i>Enterococcus</i> (VRE)                 |                                |
| Methizillin-resistenter <i>Staphylococcus epidermidis</i> (MRSE) |                                |

Tierversuche zeigen, dass das TABOTAMP FIBRILLAR Hämostatikum im Gegensatz zu anderen Hämostatika experimentelle Infektionen nicht verstärkt. Das TABOTAMP FIBRILLAR Hämostatikum stellt jedoch keine Alternative zu systemisch angewendeten therapeutischen oder prophylaktischen Antibiotika dar.

Das TABOTAMP FIBRILLAR Hämostatikum kann in vielen Bereichen der Chirurgie Verwendung finden, z.B. in der kardiovaskulären Chirurgie, bei Hämorrhoidenexzision, Implantation von Gefäßprothesen, Biopsien, Lungenoperationen, in der Gesichts- und Kieferchirurgie, bei der partiellen Gastrektomie, bei Rachen- oder Nasenoperationen, Leber- und Gallenblaseoperationen, gynäkologischen Operationen, thorakalen und abdominalen Sympathektomien, Neurochirurgie, insbesondere Operationen am Gehirn, Schilddrüsenoperationen, Hauttransplantationen sowie bei der Behandlung von oberflächlichen Verletzungen.

## Anwendungsgebiete

Das TABOTAMP FIBRILLAR Hämostatikum wird als Hilfsmittel bei chirurgischen Eingriffen verwendet, um die Kontrolle von Kapillarblutungen, venösen Blutungen und geringen arteriellen Blutungen zu unterstützen, wenn eine Ligatur oder sonstige herkömmliche Methoden zur Kontrolle der Blutung praktisch schwer anwendbar oder unwirksam sind. Das TABOTAMP FIBRILLAR Hämostatikum kann zur Verwendung bei endoskopischen Operationen in der passenden Größe zugeschnitten werden.

## Gegenanzeigen

- Auch wenn Auspolstern oder Tamponieren aus medizinischen Gründen mitunter erforderlich ist, sollte das TABOTAMP FIBRILLAR Hämostatikum dafür nur verwendet werden, wenn es nach erfolgter Blutstillung wieder entfernt wird. (Siehe Warnhinweise und Vorsichtsmaßnahmen).



- Das TABOTAMP FIBRILLAR Hämostatikum sollte bei Knochenschäden wie beispielsweise Frakturen nicht implantiert werden, da die Kallusbildung beeinträchtigt werden kann, und damit zumindest theoretisch die Möglichkeit einer Zystenbildung besteht.
- Bei der Verwendung des TABOTAMP FIBRILLAR Hämostatikums zur Unterstützung der Blutstillung in oder im Bereich von Knochen-Foramina, Knochenreduktionen, der Wirbelsäule, des Sehnervs und des Chiasmata, muss das Produkt nach erfolgter Blutstillung stets entfernt werden, da es aufquillt und daher unerwünschten Druck ausüben könnte.
- Das TABOTAMP FIBRILLAR Hämostatikum sollte nicht zur Blutstillung an großen Arterien verwendet werden.
- Das TABOTAMP FIBRILLAR Hämostatikum sollte nicht bei nicht blutenden, aber stark nässenden Flächen angewendet werden, da andere Körperflüssigkeiten als Blut, beispielsweise Serum, nicht mit dem TABOTAMP FIBRILLAR Hämostatikum reagieren, und dadurch keine zufrieden stellende hämostatische Wirkung erzielt wird.
- Das TABOTAMP FIBRILLAR Hämostatikum sollte nicht zur Adhäsionsprophylaxe verwendet werden.

## Warnhinweise

- Das TABOTAMP FIBRILLAR Hämostatikum wird steril geliefert, und da das Material nicht für eine Autoklavenbehandlung oder einer Sterilisierung mit Äthylenoxid geeignet ist, sollte das TABOTAMP FIBRILLAR Hämostatikum nicht erneut sterilisiert werden.
- Das TABOTAMP FIBRILLAR Hämostatikum kann ein sorgfältiges Vorgehen beim Operieren und den angemessenen Einsatz von Nahtmaterial und Ligaturen nicht ersetzen.
- Das Belassen des TABOTAMP FIBRILLAR Hämostatikums in einer infizierten Wunde ohne Drainage kann zu Komplikationen führen und sollte vermieden werden.
- Die hämostatische Wirkung des TABOTAMP FIBRILLAR Hämostatikums ist bei trockener Anwendung größer; daher sollte das Produkt nicht mit Wasser oder physiologischer Kochsalzlösung angefeuchtet werden.
- Das TABOTAMP FIBRILLAR Hämostatikum sollte nicht mit infektionsverhindernden Mitteln, Puffersubstanzen oder anderen hämostatisch wirksamen Substanzen imprägniert werden. Die blutstillende Wirkung des Produkts wird durch einen Zusatz von Thrombin nicht verbessert, da dessen Wirksamkeit durch den niedrigen pH-Wert des TABOTAMP FIBRILLAR Hämostatikums zerstört wird.
- Obwohl das TABOTAMP FIBRILLAR Hämostatikum, falls notwendig, *in situ* belassen werden kann, wird empfohlen, es nach erfolgter Blutstillung zu entfernen. Es muss, unabhängig von der Art der Operationsweise, **immer** von der Applikationsstelle entfernt werden, wenn es in oder im Bereich von Knochen-Foramina, Knochenreduktionen, der Wirbelsäule und / oder des Sehnervs und des Chiasmata verwendet wird, da das TABOTAMP FIBRILLAR Hämostatikum durch Aufquellen Druck ausüben kann, was zu Lähmung und/oder Nervenschädigung führen kann. Durch erneutes Tamponieren, weitere Eingriffe während der Operation, Spülung, übertriebene Atmung usw. kann es zu einer Verlagerung des TABOTAMP FIBRILLAR Hämostatikum kommen. Es gibt Berichte, laut denen das TABOTAMP FIBRILLAR Hämostatikum, wenn es nach Wundverschluss im Patienten belassen wurde, bei Eingriffen wie Lobektomie und Laminektomie sowie bei der Operation eines Vorderschädelbruchs mit eingerissenem Hirnappen von der Anwendungsstelle in die Knochen-Foramina im Bereich der Wirbelsäule wanderte und zu Lähmungserscheinungen führte, beziehungsweise in einem anderen Fall in die linke Augenhöhle, was zum Erblinden führte. Auch wenn sich die Richtigkeit dieser Berichte nicht nachweisen lässt, ist **unabhängig von der Art des operativen Eingriffs** den Ärzten dringend zu empfehlen, das TABOTAMP FIBRILLAR Hämostatikum nach erfolgter Blutstillung zu entfernen.
- Obwohl das TABOTAMP FIBRILLAR Hämostatikum bakterizid gegenüber einem breiten Spektrum pathogener Mikroorganismen wirkt, ist es nicht als Ersatz für systemisch angewendete therapeutische oder prophylaktische Antibiotika gedacht, um postoperative Infektionen einzudämmen oder zu verhindern.

## Vorsichtsmaßnahmen

- Es sollte nur so viel des TABOTAMP FIBRILLAR Hämostatikums verwendet werden, wie zur Blutstillung erforderlich ist, wobei das Produkt fest auf die Wunde zu drücken ist, bis die Blutung gestillt ist. Vor dem Wundverschluss sollten überflüssige Produktreste entfernt werden, um die Resorption zu erleichtern und das Risiko einer Fremdkörperreaktion auf ein Minimum zu reduzieren.
- Bei urologischen Operationen sollte nur eine äußerst geringe Menge des TABOTAMP FIBRILLAR Hämostatikums verwendet werden, und es ist sorgfältig darauf zu achten, dass ein Verstopfen der Harnröhre, des Harnleiters oder eines Katheters durch losgelöste Teile des Produktes verhindert wird.
- Da eine Chemokauterisation die Resorption des TABOTAMP FIBRILLAR Hämostatikum verhindern kann, sollte es nicht in Bereichen verwendet werden, die vorher mit Silbernitrat oder anderen chemischen Ätzmitteln behandelt wurden.
- Bei temporärer Verwendung des TABOTAMP FIBRILLAR Hämostatikums zur Auskleidung von großen offenen Wundhöhlen sollte es so eingesetzt werden, dass es nicht über die Wundränder hinausragt. Nach erfolgter Blutstillung sollte es mit einer Pinzette oder durch Spülung mit sterilem Wasser beziehungsweise einer Kochsalzlösung aus der offenen Wunde entfernt werden.
- In der Otorhinolaryngologie-Chirurgie sollten Vorsichtsmaßnahmen ergriffen werden, damit der Patient kein Material einatmet. (Beispiele: Blutstillung nach Tonsillektomie und Stillung von Nasenbluten).
- Bei der Anwendung des TABOTAMP FIBRILLAR Hämostatikums als Umhüllung bei vaskulären Eingriffen darf das Gefäß nicht zu fest umwickelt werden. (Siehe Nebenwirkungen)

## Hinweise für die Verwendung bei endoskopischen Verfahren:

(Siehe Abbildungen 1 und 2 auf Seite 04).

*Figure 1. Das TABOTAMP FIBRILLAR Hämostatikum sollte bei endoskopischen Verfahren in die passende Größe zugeschnitten werden. Bis zur Positionierung des resorbierbaren Hämostatikums sollten herkömmliche endoskopische Verfahren verwendet werden. Dann ist das TABOTAMP FIBRILLAR Hämostatikum an einer Ecke anzufassen. Durch eine gleichmäßige Rückwärtsbewegung ist das Material in den Operationskanal einzuführen, bis es am Ende des Laparoscops eingeschlossen ist.*

*Abb. 2.A. Danach ist das Laparoskop mittels der Führungshülse wieder in den Patienten einzuführen und über dem gewünschten Anwendungsbereich zu platzieren. Das Greifinstrument mit dem Material ist langsam in die Höhlung einzuführen.*

*Abb. 2.B. Mit Hilfe von Greifinstrumenten an einer zweiten und/oder dritten Stelle kann das Material platziert und in die richtige Position gebracht werden.*

## Nebenwirkungen

- "Einschluss" von Flüssigkeit und Fremdkörperreaktion sind gemeldet worden.
- Es gibt Berichte von stenotischen Wirkungen wenn TABOTAMP FIBRILLAR Hämostatikum als Umhüllung während einer Gefäßchirurgie verwendet wurde. Obgleich nicht erwiesen ist, dass die Stenose in unmittelbarem Zusammenhang mit der Verwendung des TABOTAMP FIBRILLAR Hämostatikums stand, ist Vorsicht geboten, und eine zu feste Umwicklung mit dem Material sollte vermieden werden.
- Es sind Fälle von Lähmung und Nervenschädigung bei Verwendung des TABOTAMP FIBRILLAR Hämostatikums in oder im Bereich von Knochen-Foramina, Knochenreduktionen, des Rückgrats und/oder des Sehnervs und Chiasmas berichtet worden. Während die meisten dieser Berichte im Zusammenhang mit einer Laminektomie stehen, wurden Fälle von Lähmung auch im Zusammenhang mit anderen Vorgehensweisen berichtet. Ein Fall von Erblinden wurde im Zusammenhang mit einer Operation am verletzten linken Hirnlappen bei Platzierung des TABOTAMP FIBRILLAR Hämostatikums in der vorderen Schädelgrube gemeldet (Siehe Warnhinweise und Sicherheitsvorkehrungen).
- Es wurde über eine möglicherweise verlängerte Drainagezeit bei Cholezystektomie sowie über Schwierigkeiten beim Harnlassen durch die Harnröhre im Anschluss an eine Prostataktomie berichtet. Außerdem wurde in einem Fall nach einer Nierenresektion ein verstopfter Harnleiter diagnostiziert, so dass postoperativ ein Katheter gelegt werden musste.
- Man glaubt, dass die vereinzelt Berichte über ein "brennendes" und "stechendes" Gefühl sowie Niesreiz, wenn das TABOTAMP FIBRILLAR Hämostatikum zum Auspolstern bei Nasenbluten angewendet wurde, auf den niedrigen pH-Wert des Produktes zurückzuführen sind.
- Es gibt Berichte über "Brennen" wenn das TABOTAMP FIBRILLAR Hämostatikum nach der Entfernung von Nasenpolypen oder nach einer Hämorrhoidektomie verwendet wurde, außerdem über Kopfschmerzen, Brennen, Stechen und Niesreiz bei Nasenbluten und anderen Eingriffen in der Nase. Ein Stechen wurde auch registriert, wenn das TABOTAMP FIBRILLAR Hämostatikum auf äußeren Wunden (variköse Ulzerationen, Dermabrasionen und Transplantat-Entnahmestellen) zur Anwendung kam.

## Dosierung und Verabreichung

Das TABOTAMP FIBRILLAR Hämostatikum sollte unter sterilen Bedingungen aus seinem sterilen Behälter genommen werden. Eine geringe Menge von TABOTAMP FIBRILLAR Hämostatikum wird in angemessener Größe auf die blutende Stelle gelegt oder fest auf das Gewebe gedrückt, bis die Blutstillung eintritt. Die erforderliche Menge richtet sich nach Art und Stärke der Blutung, die zu stillen ist. Die hämostatische Wirkung des TABOTAMP FIBRILLAR Hämostatikums ist besonders ausgeprägt, wenn das Produkt trocken verwendet wird. Ein Anfeuchten des Materials mit Wasser oder physiologischer Kochsalzlösung ist nicht zu empfehlen.

## Lagerung und Dauer der Haltbarkeit

TABOTAMP FIBRILLAR Hämostatikum sollte in der Originalverpackung trocken bei einer kontrollierten Temperatur zwischen 15°C-30°C gelagert und vor direkter Sonneneinstrahlung geschützt werden.

Nicht verwenden, sollte die Verpackung beschädigt/bereits geöffnet sein. Nicht wieder sterilisieren. TABOTAMP FIBRILLAR Hämostatikum ist als originalverpacktes steriles Produkt in verschiedenen Größen erhältlich.

Das Haltbarkeitsdatum dieses Produkts ist auf die Verpackung aufgedruckt. Nach Ablauf des Verfallsdatums darf das TABOTAMP FIBRILLAR Hämostatikum nicht mehr verwendet werden.

## **FR** Description

L'Hémostatique résorbable FIBRILLAIRE SURGICEL® est un matériau fibreux résorbable stérile préparé par oxydation contrôlée de la cellulose régénérée. Le tissu est d'un blanc qui tire sur le jaune pâle et il sent légèrement au caramel. Il est robuste et peut être suturé ou coupé sans s'effiloche. Il est stable et doit être conservé sous une température ambiante contrôlée. Une légère décoloration peut se produire à la longue, mais cela n'affecte pas sa performance. La structure fibrillaire du produit permet au chirurgien de saisir avec des pinces la quantité quelconque d'Hémostatique FIBRILLAIRE SURGICEL dont il a besoin pour obtenir l'hémostase en un site hémorragique particulier. C'est pourquoi il est très pratique pour les sites hémorragiques difficiles à atteindre ou de forme irrégulière. Bien qu'il soit facile de ne sortir que la quantité requise d'Hémostatique FIBRILLAIRE SURGICEL du conditionnement, le groupe de fibres sélectionnées continue à adhérer entre elles et l'application sur le site hémorragique est facilement contrôlée. Il ne se produit aucune dispersion non désirée sur le site opératoire.

## Actions

Le mécanisme d'action par lequel l'Hémostatique FIBRILLAIRE SURGICEL accélère la coagulation n'a pas encore été entièrement élucidé mais il semblerait s'agir d'un phénomène physique plutôt que d'une altération du mécanisme de la coagulation physiologique normal. Dès que l'Hémostatique FIBRILLAIRE SURGICEL est saturé en sang, il se gonfle et se transforme en une masse gélatineuse brunâtre ou noire propice à la formation d'un caillot, qui joue alors le rôle d'appoint hémostatique dans le contrôle d'une hémorragie localisée. Lorsqu'il est utilisé comme il faut et en quantités minimales, l'Hémostatique FIBRILLAIRE SURGICEL est résorbé dans les sites d'implantation avec pratiquement aucune réaction tissulaire. La résorption dépend de plusieurs facteurs dont la quantité utilisée, le degré de saturation en sang et le lit tissulaire.

Outre ses propriétés hémostatiques, l'Hémostatique FIBRILLAIRE SURGICEL est bactéricide *in vitro* contre un large éventail de germes Gram-positif et Gram-négatif, y compris les germes aérobies et anaérobies. L'Hémostatique FIBRILLAIRE SURGICEL est bactéricide *in vitro* contre certaines souches d'espèces parmi lesquelles se trouvent :

|   |                                |
|---|--------------------------------|
| <i>Staphylococcus aureus</i>  | <i>Bacillus subtilis</i>       |
| <i>Staphylococcus epidermidis</i>                                   | <i>Proteus vulgaris</i>        |
| <i>Micrococcus luteus</i>   | <i>Corynebacterium xerosis</i> |
| <i>Streptococcus pyogenes</i> Groupe A                              | <i>Mycobacterium phlei</i>     |
| <i>Streptococcus pyogenes</i> Groupe B                              | <i>Clostridium tetani</i>      |
| <i>Streptococcus salivarius</i>                                     | <i>Clostridium perfringens</i> |
| <i>Branhamella catarrhalis</i>                                      | <i>Bacteroides fragilis</i>    |
| <i>Escherichia coli</i>   | <i>Enterococcus</i>            |
| <i>Klebsiella aerogenes</i>   | <i>Enterobacter cloacae</i>    |
| <i>Lactobacillus</i> sp.  | <i>Pseudomonas aeruginosa</i>  |
| <i>Salmonella enteritidis</i>                                       | <i>Pseudomonas stutzeri</i>    |
| <i>Shigella dysenteriae</i>   | <i>Proteus mirabilis</i>       |
| <i>Serratia marcescens</i>  |                                |
| <i>Staphylococcus aureus</i> résistant à la méticilline (MRSA)      |                                |
| <i>Streptococcus pneumoniae</i> résistant à la pénicilline (PRSP)   |                                |
| <i>Enterococcus</i> résistant à la vancomycine (VRE)                |                                |
| <i>Staphylococcus epidermidis</i> résistant à la méticilline (MRSE) |                                |

Les études réalisées avec les animaux ont montré que, contrairement aux autres agents hémostatiques, l'Hémostatique FIBRILLAIRE SURGICEL n'accroît pas le risque d'infection chez les animaux d'expérience. Toutefois, l'Hémostatique FIBRILLAIRE SURGICEL ne peut en aucun cas remplacer les antimicrobiens thérapeutiques ou prophylactiques administrés par voie générale.

L'Hémostatique FIBRILLAIRE SURGICEL peut être utilisé dans de nombreuses interventions chirurgicales comme, par exemple : interventions cardiovasculaires, hémorroïdectomies, implantation de prothèses vasculaires, biopsies, interventions pulmonaires, chirurgie du visage et des mâchoires, résection gastrique, interventions rhino-laryngologiques, interventions hépatiques et biliaires, interventions gynécologiques, symplectomies thoraciques et abdominales, interventions neurochirurgicales, en particulier cérébrales, interventions thyroïdiennes, greffes cutanées et traitement de plaies superficielles.

## Indications

L'Hémostatique FIBRILLAIRE SURGICEL sert d'adjoint dans les interventions chirurgicales et il aide à contrôler les hémorragies provenant de vaisseaux capillaires, de veines et de petites artères lorsque la ligature ou les autres méthodes de contrôle habituelles sont impraticables ou inefficaces. L'Hémostatique FIBRILLAIRE SURGICEL peut être coupé à la taille désirée et être ainsi utilisé dans le cadre d'interventions endoscopiques.

## Contre-indications

- Même si le méchage ou le tamponnement est parfois nécessaire sur le plan médical, ne jamais utiliser l'Hémostatique FIBRILLAIRE SURGICEL à cette fin, à moins qu'on n'envisage de le retirer dès l'obtention de l'hémostase (se référer aux Mises en garde et aux Précautions).
- Ne pas utiliser l'Hémostatique FIBRILLAIRE SURGICEL pour l'implantation dans des anomalies osseuses, telles que des fractures, car il existe un risque d'interférence avec formation de cal ainsi qu'une chance théorique de formation de kystes.

- Quand on utilise l'Hémostatique FIBRILLAIRE SURGICEL pour aider à obtenir l'hémostase dans, autour ou à proximité de trous dans l'os, de zones osseuses confinées, de la moelle épinière ou du nerf et du chiasma optiques, toujours l'enlever après l'obtention de l'hémostase car il va gonfler et pourrait alors exercer une pression non souhaitée.
- Ne pas utiliser l'Hémostatique FIBRILLAIRE SURGICEL pour contrôler une hémorragie provenant de grandes artères.
- Ne pas utiliser l'Hémostatique SURGICEL FIBRILLAIRE sur des surfaces suintantes séreuses non hémorragiques, étant donné que les liquides physiologiques de l'organisme autres que le sang entier, tel que le sérum, ne réagissent pas avec l'Hémostatique FIBRILLAIRE SURGICEL pour produire un effet hémostatique satisfaisant.
- Ne pas utiliser l'Hémostatique FIBRILLAIRE SURGICEL comme un produit pour prévenir l'adhérence.

## Mises en garde

- L'Hémostatique FIBRILLAIRE SURGICEL est fourni à l'état stérile et, étant donné que le matériau est incompatible avec la stérilisation à l'autoclave ou à l'oxyde d'éthylène, ne jamais restériliser l'Hémostatique FIBRILLAIRE SURGICEL [ou TABOTAMP].
- L'Hémostatique FIBRILLAIRE SURGICEL n'est pas destiné à remplacer une intervention chirurgicale soignée et l'usage approprié de sutures et de ligatures.
- Éviter d'enfermer l'Hémostatique FIBRILLAIRE SURGICEL dans une plaie contaminée sans drain car cela pourrait entraîner des complications.
- L'Hémostatique FIBRILLAIRE SURGICEL exerce un plus grand effet quand il est appliqué sec ; de ce fait, ne pas l'humidifier avec de l'eau ou du sérum physiologique.
- Ne pas imprégner l'Hémostatique FIBRILLAIRE SURGICEL d'agents anti-infectieux ou d'autres matières telles que des substances tampons ou hémostatiques. Son effet hémostatique n'est pas amplifié par l'addition de thrombine, dont l'activité est anéantie par le faible pH du produit.
- Bien que l'Hémostatique FIBRILLAIRE SURGICEL puisse être laissé *in situ* lorsque requis, il est conseillé de le retirer dès l'obtention de l'hémostase. **Toujours** le retirer de son site d'application lorsqu'il est utilisé dans, autour ou à proximité de trous dans l'os, de zones osseuses confinées, de la moelle épinière et/ou du nerf et du chiasma optiques, quelle que soit l'intervention chirurgicale car, en se gonflant, l'Hémostatique FIBRILLAIRE SURGICEL risque d'exercer une pression et de provoquer une paralysie et/ou des lésions nerveuses. Il est possible que l'Hémostatique FIBRILLAIRE SURGICEL soit déplacé lors du remplacement de la mèche, d'une manipulation intraopératoire supplémentaire, durant le lavage, en présence d'une respiration exagérée, etc. Il a été rapporté que, durant des interventions telles qu'une lobectomie, une laminectomie et la réparation d'une fracture du crâne frontal et d'un lobe lacéré, l'Hémostatique FIBRILLAIRE SURGICEL, lorsque laissé dans l'organisme du patient après la fermeture, s'est déplacé du site d'application dans les trous de l'os situé autour de la moelle épinière et a provoqué une paralysie ; dans un autre cas, il a atteint l'orbite de l'œil gauche et a provoqué la cécité. Tant que ces rapports n'auront pas été confirmés, **et quel que soit le type d'intervention chirurgicale**, les médecins doivent prendre des précautions particulières et suivre le conseil leur demandant de retirer l'Hémostatique FIBRILLAIRE SURGICEL dès l'obtention de l'hémostase.
- Bien que l'Hémostatique FIBRILLAIRE SURGICEL soit bactéricide contre un large éventail de germes pathogènes, ne jamais l'utiliser pour remplacer des antimicrobiens thérapeutiques ou prophylactiques administrés par voie générale ni pour contrôler ou prévenir les infections postopératoires.

## Précautions

- N'utiliser que la quantité d'Hémostatique FIBRILLAIRE SURGICEL requise pour obtenir l'hémostase, en la tenant fermement en place jusqu'à l'arrêt de l'hémorragie. Retirer tout excès avant de procéder à la fermeture chirurgicale de manière à faciliter la résorption et à minimiser le risque de réaction à un corps étranger.
- Dans les interventions urologiques, n'utiliser que des quantités minimales d'Hémostatique FIBRILLAIRE SURGICEL et prendre grand soin de ne pas obstruer l'urètre, l'uretère ou une sonde avec des fragments déplacés du produit.
- Étant donné que la résorption de l'Hémostatique FIBRILLAIRE SURGICEL pourrait être empêchée dans des zones chimiquement cautérisées, ne pas l'utiliser après avoir appliqué du nitrate d'argent ou un autre produit chimique escarrotique.
- Si on utilise temporairement l'Hémostatique FIBRILLAIRE SURGICEL pour tapisser la cavité de grandes plaies ouvertes, le placer de sorte qu'il ne chevauche pas les bordures cutanées. En outre, le retirer des plaies ouvertes avec des pinces ou en irriguant la plaie avec du sérum physiologique ou de l'eau stérilisée dès que le saignement s'est arrêté.
- La prudence s'impose en chirurgie otorhinolaryngologique pour assurer que le patient n'aspire pas de produit. (Exemples : contrôle de l'hémorragie après amygdaléctomie et contrôle de l'épistaxis).
- Faire bien attention de ne pas appliquer l'Hémostatique FIBRILLAIRE SURGICEL de manière trop serrée lorsqu'il sert d'enveloppe en chirurgie vasculaire (se référer aux Effets indésirables).

## Mode d'emploi dans les interventions endoscopiques :

(se référer aux figures 1 et 2, à la page 04).

*Figure 1. Couper l'Hémostatique FIBRILLAIRE SURGICEL aux dimensions appropriées pour la mise en place par endoscopie. Suivre les procédures endoscopiques standard jusqu'au moment de mettre l'hémostatique résorbable en place. Saisir un coin de l'Hémostatique FIBRILLAIRE SURGICEL. En faisant un mouvement rétrograde régulier, faire glisser le matériau dans la*

voie fonctionnelle jusqu'à ce que le matériau soit enfermé au fond du laparoscope.

Figure 2.A. Remettre le laparoscope dans l'organisme du patient par l'intermédiaire du manchon et repositionner l'endoscope sur la zone où on désire appliquer le matériau. Pousser lentement l'instrument de saisie et le matériau dans la cavité.

Figure 2.B. À l'aide d'instruments de saisie dans un second et/ou troisième site auxiliaire, la pose peut se faire et le matériau peut être positionné comme il faut.

### Effets indésirables

- Des cas "d'encapsulation" de liquide et de réactions contre un corps étranger ont été rapportés.
- Il a été rapporté que l'Hémostatique FIBRILLAIRE SURGICEL a provoqué une sténose lorsqu'il est utilisé en tant qu'enveloppe en chirurgie vasculaire. Bien qu'il n'ait pas été établi si la sténose découlait directement de l'utilisation de l'Hémostatique FIBRILLAIRE SURGICEL, il est important de rester prudent et d'éviter de trop serrer le matériau lorsqu'il sert d'enveloppe.
- Des cas de paralysie et de lésions nerveuses ont été rapportés quand l'Hémostatique FIBRILLAIRE SURGICEL a été utilisé autour, dans et à proximité de trous dans l'os, de zones osseuses confinées, de la moelle osseuse et/ou du nerf et du chiasma optiques. Bien que la plupart de ces rapports aient concerné la laminectomie, des rapports de paralysie ont aussi été reçus dans le cadre d'autres interventions. Un cas de cécité a été rapporté lors de la réparation chirurgicale d'un lobe frontal gauche lacéré quand l'Hémostatique FIBRILLAIRE SURGICEL avait été placé dans la fosse cérébrale antérieure (se référer aux Mises en garde et aux Précautions).
- Une prolongation possible du drainage dans les cholécystectomies et une difficulté à évacuer les urines par l'urètre après une prostatectomie ont été rapportées. Il y a eu un rapport d'obstruction de l'uretère après une résection rénale, dans laquelle un cathétérisme postopératoire a été requis.
- Il y a eu des rapports occasionnels de sensations de "brûlure" et de "piqûre" et d'éternuements lorsque l'Hémostatique FIBRILLAIRE SURGICEL a servi de mèche dans l'épistaxis ; on pense qu'ils sont dus au faible pH du produit.
- Des sensations de brûlure ont été rapportées lorsque l'Hémostatique FIBRILLAIRE SURGICEL a été appliqué après l'ablation de polypes nasals et après une hémorrhoidectomie. Il y a aussi eu des cas de maux de tête, de sensations de brûlure, de piquûre et d'éternuements dans l'épistaxis et dans d'autres interventions oto-rhino-laryngologiques. Des cas de sensations de piquûre quand l'Hémostatique FIBRILLAIRE SURGICEL a été appliqué sur des plaies superficielles (ulcères variqueux, dermabrasions et zones donneuses) ont aussi été rapportés.

### Posologie et administration

Sortir l'Hémostatique FIBRILLAIRE SURGICEL de son conditionnement stérile en adoptant une technique stérile. Des quantités minimales d'Hémostatique FIBRILLAIRE SURGICEL, de dimensions appropriées, sont posées sur le site hémorragique ou appuyées fermement contre les tissus jusqu'à l'obtention de l'hémostase.

La quantité requise dépend de la nature et de l'intensité de l'hémorragie à arrêter. L'effet hémostatique de l'Hémostatique FIBRILLAIRE SURGICEL est particulièrement prononcé quand il est utilisé sec. Il n'est pas recommandé d'humidifier le matériau avec de l'eau ou avec du sérum physiologique.

### Conditions et durée de conservation

Conserver l'Hémostatique FIBRILLAIRE SURGICEL à l'état sec, sous conditions contrôlées (15°C-30°C) et à l'abri de la lumière solaire directe, dans son conditionnement d'origine.

Ne pas utiliser si le conditionnement individuel a été endommagé/ouvert. Ne pas restériliser.

L'Hémostatique FIBRILLAIRE SURGICEL est fourni à l'état stérile en un conditionnement original et en diverses tailles.

La date limite d'utilisation de ce produit figure sur le conditionnement. Ne pas utiliser l'Hémostatique FIBRILLAIRE SURGICEL après cette date.

## **IT** Descrizione

TABOTAMP\* FIBRILLAR emostatico assorbibile è un materiale fibroso sterile, assorbibile, realizzato mediante l'ossidazione controllata di cellulosa rigenerata. Il tessuto è bianco, con una sfumatura giallo pallido e dal leggero odore simile al caramello. È resistente e può essere suturato o tagliato senza sfilacciarsi. È stabile e va conservato a temperatura ambiente controllata. È possibile che, nel tempo, si scolori leggermente, anche se questa discolorazione non ne altera le proprietà. Grazie alla natura fibrillare del prodotto, il chirurgo può afferrare con le pinze la quantità di TABOTAMP FIBRILLAR Emostatico necessaria per ottenere l'emostasi in una determinata sede emorragica. Questa proprietà consente di utilizzare l'emostatico nelle sedi emorragiche di forma irregolare o in aree anatomiche difficili da raggiungere. Sebbene TABOTAMP FIBRILLAR Emostatico si presti ad essere facilmente separato per ottenere solo la quantità necessaria, le fibre del gruppo selezionato continuano ad aderire le une alle altre, per cui la sua applicazione alla sede emorragica può essere controllata con facilità, evitando la dispersione indesiderata del prodotto sulla sede chirurgica.

## **Meccanismo d'azione**

Sebbene non sia stato spiegato completamente il meccanismo d'azione che induce l'accelerazione dell'emostasi, sembra che l'azione di TABOTAMP FIBRILLAR Emostatico sia dovuta a un effetto fisico piuttosto che a un'alterazione del normale meccanismo fisiologico di coagulazione. Dopo averlo saturato con il sangue, TABOTAMP FIBRILLAR Emostatico si espande fino a trasformarsi in una massa gelatinosa, dal colore brunoastro o nero, che favorisce la formazione di un coagulo, fungendo così da adiuvante emostatico nel controllo dell'emorragia locale. Se utilizzato correttamente in quantità minime, TABOTAMP FIBRILLAR Emostatico viene assorbito dalle sedi di impianto, praticamente senza provocare reazioni tissutali. Il livello di assorbimento dipende da numerosi fattori, tra cui la quantità di prodotto utilizzato, il grado di saturazione con il sangue e il letto tissutale.

Oltre alle proprietà emostatiche a livello locale, TABOTAMP FIBRILLAR Emostatico ha dimostrato *in vitro* proprietà battericide verso un'ampia gamma di organismi Gram-positivi e Gram-negativi, tra cui gli aerobi ed anaerobi. *In vitro* ha espresso azione battericida contro i ceppi di specie, tra cui:

|   |                                |
|---|--------------------------------|
| <i>Staphylococcus aureus</i>                                    | <i>Bacillus subtilis</i>       |
| <i>Staphylococcus epidermidis</i>                               | <i>Proteus vulgaris</i>        |
| <i>Micrococcus luteus</i>                                       | <i>Corynebacterium xerosis</i> |
| <i>Streptococcus pyogenes Group A</i>                           | <i>Mycobacterium phlei</i>     |
| <i>Streptococcus pyogenes Group B</i>                           | <i>Clostridium tetani</i>      |
| <i>Streptococcus salivarius</i>                                 | <i>Clostridium perfringens</i> |
| <i>Branhamella catarrhalis</i>                                  | <i>Bacteroides fragilis</i>    |
| <i>Escherichia coli</i>   | <i>Enterococcus</i>            |
| <i>Klebsiella aerogenes</i>                                     | <i>Enterobacter cloacae</i>    |
| <i>Lactobacillus sp.</i>  | <i>Pseudomonas aeruginosa</i>  |
| <i>Salmonella enteritidis</i>                                   | <i>Pseudomonas stutzeri</i>    |
| <i>Shigella dysenteriae</i>                                     | <i>Proteus mirabilis</i>       |
| <i>Serratia marcescens</i>                                      |                                |
| <i>Staphylococcus aureus</i> meticillino-resistente (MRSA)      |                                |
| <i>Streptococcus pneumoniae</i> penicillino-resistente (PRSP)   |                                |
| <i>Enterococcus vancomicino-resistente</i> (VRE)                |                                |
| <i>Staphylococcus epidermidis</i> meticillino-resistente (MRSE) |                                |

Studi condotti negli animali dimostrano che TABOTAMP FIBRILLAR Emostatico, a differenza degli altri agenti emostatici, non acutizza l'infezione sperimentale. TABOTAMP FIBRILLAR Emostatico non va tuttavia a sostituire l'uso sistemico di antimicrobici terapeutici o profilattici.

TABOTAMP FIBRILLAR Emostatico trova indicazione in svariate aree di chirurgia, ad es. chirurgia cardiovascolare, emorroidectomia, impianto di protesi vascolari, biopsia, chirurgia polmonare, chirurgia maxillo-facciale, resezione gastrica, chirurgia faringea o rinologica, chirurgia epatica o colecistectomia, interventi ginecologici, simpatectomia toracica ed addominale, neurochirurgia, in particolare cerebrale, interventi della tiroide, innesti cutanei, trattamento di lesioni superficiali.

## **Indicazioni**

TABOTAMP FIBRILLAR Emostatico trova indicazione negli interventi chirurgici quale adiuvante per favorire l'emostasi, qualora il controllo di emorragie capillari, venose e arteriolari mediante legatura e altre procedure convenzionali sia impraticabile o inefficace. TABOTAMP FIBRILLAR Emostatico può essere tagliato alle dimensioni richieste per l'uso endoscopico.

## **Controindicazioni**

- Nonostante a volte si renda necessario dal punto di vista medico riempire la cavità della ferita con la medicazione, TABOTAMP FIBRILLAR Emostatico non è indicato per questo uso, salvo nei casi in cui non venga rimosso immediatamente una volta raggiunta l'emostasi (vedere Avvertenze e Precauzioni d'uso).
- TABOTAMP FIBRILLAR Emostatico non è indicato per l'impianto nei difetti dell'osso, come fratture, in quanto può interferire con la formazione del callo osseo e comportare il rischio teorico di formazioni di cisti.
- Una volta raggiunta l'emostasi, rimuovere TABOTAMP FIBRILLAR Emostatico dalla sede di applicazione se utilizzato nei forami ossei, nelle aree di congiunzione ossea, nel midollo spinale e/o nel nervo

o chiasma ottico oppure nelle regioni ad essi circostanti o adiacenti, per evitare il rischio di compressione indesiderata causata dal suo aumento di volume.

- Non utilizzare TABOTAMP FIBRILLAR Emostatico per controllare emorragie di arterie di grosso calibro.
- Non utilizzare TABOTAMP FIBRILLAR Emostatico su superfici non emorragiche, essudanti siero, dal momento che i liquidi organici diversi dal sangue intero, come il siero, non reagiscono con il prodotto per ottenere un effetto emostatico soddisfacente.
- Non utilizzare TABOTAMP FIBRILLAR Emostatico quale mezzo di prevenzione delle aderenze.

## Avvertenze

- TABOTAMP FIBRILLAR Emostatico è fornito sterile; non risterilizzare, poiché il materiale in cui è realizzato non è compatibile con la sterilizzazione in autoclave o con l'ossido di etilene.
- TABOTAMP FIBRILLAR Emostatico non va a sostituire una tecnica chirurgica meticolosa né l'applicazione corretta di suture e legature.
- Non utilizzare TABOTAMP FIBRILLAR Emostatico per la chiusura di ferite contaminate e non drenate, per evitare l'insorgere di complicanze.
- Considerato che l'effetto emostatico di TABOTAMP FIBRILLAR Emostatico è maggiore se applicato in forma secca, il prodotto non va inumidito con acqua o soluzione salina.
- Non impregnare TABOTAMP FIBRILLAR Emostatico con agenti antifettivi né con altri materiali come sostanze tampono o emostatiche. Il suo effetto emostatico non viene potenziato dall'aggiunta di trombina, la cui azione è annullata dal basso pH del prodotto.
- Sebbene TABOTAMP FIBRILLAR Emostatico possa essere lasciato *in situ* se necessario, se ne consiglia la rimozione una volta raggiunta l'emostasi. Rimuovere **sempre** il prodotto dalla sede di applicazione se utilizzato nei forami ossei, nelle aree di congiunzione ossea, nel midollo spinale e/o nel nervo o chiasma ottico oppure nelle regioni ad essi circostanti o adiacenti, indipendentemente dal tipo di procedura seguita, al fine di evitare che il prodotto, una volta espanso, vada ad esercitare pressioni indesiderate, con conseguente paralisi e/o danno ai nervi. È possibile che la ricompressione del prodotto, l'ulteriore manipolazione intraoperatoria, l'irrigazione, la respirazione eccessiva, ecc. causino la mobilitazione di TABOTAMP FIBRILLAR Emostatico. Negli interventi di lobotomia, laminectomia e riparazione di una frattura cranica dell'osso frontale e della lacerazione del lobo, sono stati riportati casi di paralisi associati alla migrazione del prodotto, lasciato *in situ* dopo la chiusura della ferita, dalla sede di applicazione nei forami ossei circostanti al midollo spinale; è stato segnalato anche un caso di cecità, associato al prodotto lasciato nell'orbita oculare sinistra. Sebbene sia impossibile confermare queste segnalazioni, il medico deve esercitare particolare cautela nel valutare l'opportunità di rimuovere TABOTAMP FIBRILLAR Emostatico una volta raggiunta l'emostasi, **a prescindere dal tipo di intervento chirurgico**.
- Sebbene espliciti un'azione battericida contro un'ampia varietà di microrganismi patogeni, TABOTAMP FIBRILLAR Emostatico non va a sostituire la somministrazione sistemica di agenti antimicrobici terapeutici o profilattici per controllare o prevenire le infezioni postoperatorie.

## Precauzioni d'uso

- Utilizzare solo la quantità minima di TABOTAMP FIBRILLAR Emostatico necessaria per raggiungere l'emostasi, mantenendolo saldamente in posizione fino all'arresto del sanguinamento. Prima di chiudere la ferita, rimuovere con attenzione il prodotto in eccesso, per facilitarne l'assorbimento e minimizzare il rischio di reazioni da corpi estranei.
- Utilizzare una quantità minima di TABOTAMP FIBRILLAR Emostatico negli interventi urologici; particolare cautela è richiesta nell'evitare che la mobilitazione di una porzione del prodotto occluda l'uretra, l'uretere o un catetere.
- Considerato che la cauterizzazione chimica impedisce l'assorbimento di TABOTAMP FIBRILLAR Emostatico, non applicare nitrato d'argento o altri escarotici chimici sulla sede di applicazione del prodotto.
- Se il prodotto viene utilizzato per coprire temporaneamente il letto della cavità di ferite aperte di grande estensione, posizionare TABOTAMP FIBRILLAR Emostatico in modo che non debordi dai margini cutanei della ferita. Una volta raggiunta l'emostasi, rimuovere il prodotto dalla ferita aperta con l'ausilio di pinze o mediante irrigazione con acqua sterile o soluzione salina.
- Particolare cautela è richiesta nella chirurgia otorinolaringologica per evitare che il paziente non aspiri il materiale. (Ad esempio: nel controllo dell'emorragia post-tonsillectomia e dell'epistassi).
- Se viene utilizzato attorno a un vaso in corso di chirurgia vascolare, particolare cautela è richiesta nell'evitare di comprimere eccessivamente TABOTAMP FIBRILLAR Emostatico (vedere Reazioni avverse).

## Modalità d'uso negli interventi endoscopici

(vedere figure 1 e 2 alla pagina 04).

*Figure 1. TABOTAMP FIBRILLAR Emostatico va ritagliato alle dimensioni adatte per il posizionamento endoscopico. Seguire le usuali procedure endoscopiche fino al momento del posizionamento dell'emostatico assorbibile. Afferrare TABOTAMP FIBRILLAR per un angolo. Sospingere il materiale nel canale operatorio con un movimento retrogrado costante, finché non sia totalmente inserito nell'estremità del laparoscopio.*

*Figure 2.A. Reinscrivere il laparoscopio nel paziente attraverso il mandrino, quindi riposizionare lo scopio sull'area di applicazione voluta. Spingere lentamente la pinza prensile e il materiale nella cavità.*

*Figure 2.B. È possibile posizionare il materiale con l'ausilio di pinze prensili a livello della seconda e/o terza sede ausiliaria.*

## Reazioni avverse

- Sono stati riportati casi di reazione da "incapsulazione" di liquidi e da corpi estranei.
- Sono stati riportati casi di effetto stenotico a seguito dell'applicazione di TABOTAMP FIBRILLAR Emostatico attorno a vasi in corso di chirurgia vascolare. Sebbene non sia stata stabilita la correlazione diretta tra la stenosi e l'uso del prodotto, è essenziale procedere con cautela ed evitare di comprimere troppo il prodotto attorno al vaso.
- Sono stati riportati casi di paralisi e danno ai nervi a seguito dell'uso di TABOTAMP FIBRILLAR Emostatico nei forami ossei, nelle aree di congiunzione ossea, nel midollo spinale e/o nel nervo o chiasma ottico oppure nelle regioni ad essi circostanti o adiacenti. Sebbene la maggioranza di queste segnalazioni sia correlata agli interventi di laminectomia, sono stati riportati casi di paralisi anche associati ad altri interventi. È stato segnalato anche un caso di cecità durante la riparazione della lacerazione del lobo frontale sinistro, quando il prodotto è stato posizionato nella fossa cranica anteriore (vedere Avvertenze e Precauzioni).
- Sono stati riportati casi di possibile prolungamento del drenaggio nella colecistectomia e di difficoltà nella diuresi post-prostatectomia. È stato segnalato un caso di occlusione ureterale a seguito di resezione renale, che ha richiesto la cateterizzazione postoperatoria.
- Sono stati segnalati casi sporadici di sensazione di bruciore o irritazione e di starnutazione in seguito all'uso di TABOTAMP FIBRILLAR Emostatico nel controllo dell'epistassi, ritenuti imputabili al basso pH del prodotto.
- Sono stati riportati casi di bruciore associati all'applicazione di TABOTAMP FIBRILLAR Emostatico dopo l'escissione di polipi nasali ed emorroidectomia. Sono stati segnalati anche cefalea, sensazione di bruciore ed irritazione, starnutazione associati ad epistassi ed altri ad interventi rinologici. Sono stati riportati inoltre casi di bruciore associati all'applicazione di TABOTAMP FIBRILLAR Emostatico a lesioni superficiali (ulcere varicose, dermoabrasioni e sedi donatrici).

## Dosaggio e somministrazione

Rimuovere TABOTAMP FIBRILLAR Emostatico dal contenitore sterile osservando tecniche di asepsi approvate. Applicare una quantità minima di TABOTAMP FIBRILLAR Emostatico, di misura appropriata, alla sede emorragica e premerlo saldamente sui tessuti finché non si sia raggiunta l'emostasi.

La quantità richiesta varia a seconda della natura e dell'intensità dell'emorragia da arrestare. L'effetto emostatico di TABOTAMP FIBRILLAR Emostatico è particolarmente pronunciato se il prodotto viene utilizzato in forma secca. Si sconsiglia di inumidire il prodotto in acqua o soluzione fisiologica.

## Conservazione e periodo di validità

Conservare TABOTAMP FIBRILLAR Emostatico nella confezione originale, a temperature comprese tra 15°C e 30°C, al riparo dell'umidità e dalla luce solare diretta.

Non utilizzare se la confezione unitaria è aperta o danneggiata. Non risterilizzare. TABOTAMP FIBRILLAR Emostatico è fornito sterile in confezioni di misura diversa.

La data di scadenza del prodotto è stampata sul confezionamento. Non utilizzare TABOTAMP FIBRILLAR Emostatico dopo la data di scadenza.



## **ES** Descripción

El hemostático absorbible SURGICEL® FIBRILLAR es un material fibroso absorbible estéril. La tela es blanca con un tinte amarillo pálido y un ligero aroma parecido al del caramelo. Es un material resistente que se puede suturar o cortar sin deshilacharse. Es estable y debe ser almacenado a una temperatura ambiente controlada. Con el transcurso del tiempo puede descolorarse ligeramente, pero ello no afectará su eficacia.

La naturaleza fibrilar del producto permite al cirujano sujetar con fórceps cualquier cantidad de hemostato SURGICEL FIBRILLAR requerida para obtener hemostasia en una zona de hemorragia determinada. Esto hace que sea conveniente para ser usado en zonas de hemorragia de forma irregular o difíciles de alcanzar. Aunque la cantidad deseada de hemostato SURGICEL FIBRILLAR es fácil de extraer del suministro completo, el grupo de fibras seleccionado continúa su cohesión y su aplicación a la zona de hemorragia se controla con facilidad. El material no se dispersa indebidamente sobre la zona de operación.

## Mecanismo de acción

No se conoce bien el mecanismo de acción gracias al cual el hemostato SURGICEL FIBRILLAR acelera el proceso de coagulación, pero parece ser un efecto físico y no de una alteración del mecanismo de coagulación fisiológico normal. Después de haberse saturado de sangre, el hemostato SURGICEL FIBRILLAR se hincha en una masa gelatinosa parda o negra que contribuye a formar un coágulo que sirve a modo de complemento hemostático para el control de la hemorragia local. Cuando se utiliza debidamente en cantidades mínimas, el hemostato SURGICEL FIBRILLAR es absorbido de las zonas de implantación prácticamente sin reacción tisular alguna. La absorción depende de varios factores entre los que se incluyen la cantidad utilizada, el grado de saturación de sangre y el tipo de lecho tisular.

Además de sus propiedades hemostáticas locales, el hemostato SURGICEL FIBRILLAR es bactericida *in vitro* contra una amplia variedad de organismos gram positivos y gram negativos, incluidos aerobios y anaerobios. El hemostato SURGICEL FIBRILLAR es bactericida *in vitro* contra cepas de especies incluidas las de:

*Staphylococcus aureus*

*Staphylococcus epidermidis*

*Micrococcus luteus*

*Streptococcus pyogenes* Grupo A

*Streptococcus pyogenes* Grupo B

*Streptococcus salivarius*

*Branhamella catarrhalis*

*Escherichia coli*

*Klebsiella aerogenes*

*Lactobacillus* sp.

*Salmonella enteritidis*

*Shigella dysenteriae*

*Serratia marcescens*

*Staphylococcus aureus* resistente a meticilina (SARM)

*Streptococcus pneumoniae* resistente a penicilina (SNRN)

*Enterococcus* resistente a vancomicina (ERV)

*Staphylococcus epidermidis* resistente a meticilina (SERM)

*Bacillus subtilis*

*Proteus vulgaris*

*Corynebacterium xerosis*

*Mycobacterium phlei*

*Clostridium tetani*

*Clostridium perfringens*

*Bacteroides fragilis*

*Enterococcus*

*Enterobacter cloacae*

*Pseudomonas aeruginosa*

*Pseudomonas stutzeri*

*Proteus mirabilis*

Estudios realizados con animales muestran que el hemostato SURGICEL FIBRILLAR no intensifica la infección experimental, a diferencia de otros agentes hemostáticos. No obstante, el hemostato SURGICEL FIBRILLAR no constituye una alternativa para los agentes antimicrobianos profilácticos o terapéuticos aplicados sistemáticamente.

El hemostato SURGICEL FIBRILLAR puede ser utilizado en numerosas áreas quirúrgicas, tales como en cirugía cardiovascular, hemorroidectomía, implantación de prótesis vascular, biopsias, operaciones de pulmón, cirugía facial y maxilar, resección gástrica, operaciones de garganta y nariz, operaciones de hígado y vesícula, intervenciones ginecológicas, simpatectomías torácicas y abdominales, neurocirugía, y especialmente operaciones cerebrales, operaciones de la glándula tiroidea, trasplantes de piel y el tratamiento de lesiones superficiales.

## Indicaciones

El hemostato SURGICEL FIBRILLAR se usa complementariamente en procedimientos quirúrgicos para facilitar el control de hemorragia capilar, venosa y arterias pequeñas cuando no es práctico o eficaz usar ligación u otros métodos de control convencionales. El hemostato SURGICEL FIBRILLAR se puede cortar según convenga para los procedimientos endoscópicos.

## Contraindicaciones

- Aunque el empaquetado o relleno son a veces necesarios desde el punto de vista médico, el hemostato SURGICEL FIBRILLAR no debe ser usado de esta manera, a menos que sea retirado después de haberse obtenido hemostasia. (Vea "Avisos" y "Precauciones".)
- El hemostato SURGICEL FIBRILLAR no debe usarse para la implantación en defectos óseos tales como fracturas, ya que existe la posibilidad de interferencia en la formación de callosidades así como una probabilidad teórica de formación de quistes.
- Cuando se usa para facilitar hemostasia en, alrededor o en la proximidad de la foramina ósea, áreas de límite óseo, médula espinal, quiasma y nervio óptico, el hemostato SURGICEL FIBRILLAR

deberá removerse siempre después de obtenerse hemostasia ya que de otro modo se hincharía y causaría presión indebida.

- El hemostato SURGICEL FIBRILLAR no debe usarse para controlar hemorragias en arterias de tamaño grande.
- El hemostato SURGICEL FIBRILLAR no debe usarse en superficies rezumantes serosas no hemorrágicas, debido a que fluidos corporales que no sean sangre integral, tales como el suero, no reaccionan con el hemostato SURGICEL FIBRILLAR para producir un efecto hemostático satisfactorio.
- El hemostato SURGICEL FIBRILLAR no debe usarse como producto para la prevención de adhesión.

## Avisos

- El hemostato SURGICEL FIBRILLAR se suministra estéril y como el material no es compatible con la esterilización en autoclave o vía óxido de etileno, el hemostato SURGICEL FIBRILLAR no debe ser reesterilizado.
- El hemostato SURGICEL FIBRILLAR no está intencionado para sustituir una cirugía cuidadosa y el uso adecuado de suturas y ligaduras.
- Deberá evitarse cerrar el hemostato SURGICEL FIBRILLAR en una herida contaminada sin drenaje, ya que ello podría acarrear complicaciones.
- El efecto hemostático del hemostato SURGICEL FIBRILLAR es mayor cuando se aplica en seco, por lo que no debe humedecerse en agua o solución salina.
- El hemostato SURGICEL FIBRILLAR no debe ser empapado en agentes antiinfecciosos u otros materiales tales como barreras o sustancias hemostáticas. Su efecto hemostático no se intensifica con la adición de trombina, cuya actividad es destruida a causa del bajo pH del producto.
- Aunque el hemostato SURGICEL FIBRILLAR puede dejarse *in situ* cuando sea necesario, se aconseja retirarlo después de haberse obtenido hemostasia. Debe retirarse **siempre** de la zona de aplicación en, alrededor o en la proximidad de la foramina ósea, áreas de límite óseo, médula espinal, quiasma y / o nervio óptico pese al tipo de procedimiento quirúrgico debido a que el hemostato SURGICEL FIBRILLAR, al hincharse, puede ejercer una presión que puede causar parálisis y / o daño en los nervios. El desplazamiento del hemostato SURGICEL FIBRILLAR podría ocurrir posiblemente a causa de reempaquetado, manipulación intraoperatoria ulterior, lavado, respiración exagerada, etc. Se han informado casos en procedimientos tales como lobectomía, laminectomía y reparación de una fractura craneal frontal y lóbulo lacerado, en la cual cuando el hemostato SURGICEL FIBRILLAR se deja en el paciente después del cierre, fue desplazado de la zona de aplicación a la foramina ósea alrededor de la médula espinal causando parálisis y, en otro caso, a la órbita izquierda del ojo causando ceguera. A pesar de que no es posible confirmar estos informes, el médico deberá considerar especialmente la conveniencia de remover el hemostato SURGICEL FIBRILLAR después de haberse obtenido hemostasia, **pese al tipo de procedimiento quirúrgico.**
- Aunque es bactericida contra una amplia variedad de microorganismos patogénicos, el hemostato SURGICEL FIBRILLAR no ha sido concebido para sustituir agentes antimicrobianos profilácticos o terapéuticos administrados sistémicamente para el control o la prevención de infecciones postoperatorias.

## Precauciones

- Use solamente la cantidad de hemostato SURGICEL FIBRILLAR necesaria para obtener hemostasia, sujetándolo firmemente en su sitio hasta que la hemorragia cesa. Retire los residuos antes del cierre quirúrgico para facilitar la absorción y reducir al mínimo la posibilidad de reacción a cuerpos extraños.
- En procedimientos urológicos deberán utilizarse cantidades mínimas de hemostato SURGICEL FIBRILLAR y adoptarse precauciones para no bloquear la uretra, el uréter o el catéter con trozos desprendidos del producto.
- Debido a que la absorción del hemostato SURGICEL FIBRILLAR podría prevenirse en áreas cauterizadas por medios químicos, su uso no deberá ser precedido de la aplicación de nitrato de plata o de otros químicos escaróticos.
- Si el hemostato SURGICEL FIBRILLAR va a ser usado temporalmente para cubrir la cavidad de heridas abiertas grandes, deberá disponerse de modo que no quede superpuesto sobre los bordes de la piel. También deberá ser retirado de las heridas abiertas mediante fórceps o irrigación con agua estéril o solución salina después de haber cesado la hemorragia.
- Deberán adoptarse precauciones en cirugía otorrinolaringológica para asegurar que ninguna parte del material sea respirada por el paciente. (Ejemplos: control de hemorragia después de amigdalotomía y control de epistaxis.)
- Deberá tenerse cuidado de no disponerse el hemostato SURGICEL FIBRILLAR demasiado apretado cuando se usa como envoltura durante cirugía vascular (vea "Reacciones adversas").

## Modo de empleo en procedimientos endoscópicos:

(Vea las figuras 1 y 2 en la página 04.)

*Figure 1. El hemostato SURGICEL FIBRILLAR deberá ser cortado al tamaño adecuado para el emplazamiento endoscópico. Deberán observarse procedimientos endoscópicos estándar hasta el punto del emplazamiento del hemostático absorbible. Sujete por una esquina el hemostato SURGICEL FIBRILLAR. Con un movimiento de retroceso uniforme, disponga el material en el canal operativo hasta quedar encajado en el extremo del laparoscopio.*

*Figure 2.A. Vuelva a disponer el laparoscopio en el paciente vía el manguito y proceda a reubicarlo sobre el área de aplicación requerida. Inserte lentamente en la cavidad el instrumento sujetador y el material.*

*Figure 2.B. Con el uso de instrumentos sujetadores en un segundo y / o tercer punto auxiliar podrá efectuarse el emplazamiento y disponer en su sitio el material.*

### **Reacciones adversas**

- Se han informado casos de reacciones a cuerpos extraños y "encapsulado" de fluidos.
- Se han recibido informes de un efecto estenótico cuando el hemostato SURGICEL FIBRILLAR fue usado como envoltura durante cirugía vascular. Aunque no se ha establecido que la estenosis estuvo directamente asociada al uso del hemostato SURGICEL FIBRILLAR, es importante tener precaución y evitar el uso del material apretado como una envoltura.
- Se han informado casos de parálisis y daño en los nervios cuando el hemostato SURGICEL FIBRILLAR fue usado en, alrededor o en la proximidad de la foramina ósea, áreas de límite óseo, médula espinal, quiasma y / o nervio óptico. Aunque la mayoría de estos informes han estado relacionados con laminectomía, también se han recibido informes de parálisis en conexión con otros procedimientos. Se han informado casos de ceguera en conexión con la reparación quirúrgica del lóbulo frontal izquierdo lacerado cuando el hemostato SURGICEL FIBRILLAR fue emplazado en la fosa craneal anterior (vea "Avisos" y "Precauciones").
- Se han informado casos de prolongación de drenaje en colestectomías y dificultad al orinar por la uretra después de prostatectomía. Se ha recibido un informe de un uréter bloqueado después de resección de riñón en la cual fue requerida cauterización postoperatoria.
- Se han recibido informes esporádicos de estornudos y sensaciones de "quemadura" y "escozor" cuando el hemostato SURGICEL FIBRILLAR fue usado como empaquetadura en epistaxis cuya causa parece deberse al bajo pH del producto.
- Se ha informado una sensación de quemadura cuando el hemostato SURGICEL FIBRILLAR fue aplicado después de la remoción de pólipos nasales y después de la hemorroidectomía. Dolor de cabeza, sensación de quemadura, escozor y estornudos han sido informados en epistaxis y otros procedimientos rinológicos. También se ha informado casos de sensación de escozor cuando el hemostato SURGICEL FIBRILLAR fue aplicado sobre heridas superficiales (úlceras varicosas, dermatabrasiones y sitios donantes).

### **Dosis y administración**

Deberá observarse un método estéril al sacar el hemostato SURGICEL FIBRILLAR de su envase estéril. Cantidades mínimas de hemostato SURGICEL FIBRILLAR del tamaño adecuado se disponen sobre la zona de la hemorragia o se sujetan firmemente contra los tejidos hasta obtenerse hemostasia.

La cantidad requerida dependerá de la naturaleza e intensidad de la hemorragia que debe detenerse. El efecto hemostático del hemostato SURGICEL FIBRILLAR es particularmente intenso cuando se usa seco. No se recomienda usar el material humedecido en agua o en una solución salina fisiológica.

### **Almacenado y duración de vida útil**

El hemostato SURGICEL FIBRILLAR deberá almacenarse seco en su envase original y en condiciones ambientales controladas (15°C-30°C) y protegido contra la luz directa del sol.

No use el producto si su envase está dañado / abierto. No vuelva a esterilizar el producto. El hemostato SURGICEL FIBRILLAR suministrado se ofrece en diversos tamaños estéril en su envase original. La fecha de caducidad de este producto aparece impresa en su envase. No use el hemostato SURGICEL FIBRILLAR después de esta fecha.

## **SE** Beskrivning

Den absorberbara produkten SURGICEL® FIBRILLAR är ett sterilt och absorberbart, fibröst material som tillverkas genom kontrollerad oxidering av regenererad cellulosa. Väven är vit med en svagt gulaktig ton och har en svag, karamellliknande smak. Den är stark och kan sutureras och klippas utan att fransas. Den är stabil och skall förvaras vid rumstemperatur. En svag missfärgning kan uppstå med tiden, men detta påverkar inte funktionen.

Tack vare den produktens fibrillära formen kan kirurgen, med en pincett, ta så mycket av produkten som behövs för att stilla blödningen. Detta gör produkten lämplig för svåråtkomliga eller oregelbundna blödande sår. Även om det är lätt att ta upp önskad mängd av produkten, kommer de upptagna fibrerna att fortsätta hänga ihop med varandra, vilket gör appliceringen på det blödande såret enkel. Det hamnar inget oönskat överskott utanför operationsplatsen.

## Åtgärder

Den mekanism som gör att produkten påskyndar koaguleringen är inte helt utredd, men det förefaller vara en fysisk effekt snarare än en förändring av den normala, fysiologiska koaguleringen. När produkten har mättats med blod, sväller den till en brunaktig eller svart gelatinliknande massa, som hjälper till att bilda en propp, vilket gör att den fungerar som ett blödningshämmande hjälpmedel vid behandling av lokal blödning. Om denna hemostatiska produkt används på rätt sätt och i minimala mängder, absorberas den från implantatplatsen, praktiskt taget utan någon som helst vävnadsreaktion. Absorptionen beror på flera faktorer, inklusive använd mängd, blodmättningsgraden och vävnadsbädden.

Förutom de lokala blodstillande egenskaperna är produkten SURGICEL FIBRILLAR bakteriedödande vid laboratorieprov, mot en mängd grampositiva och gramnegativa organismer, inklusive aeroba och anaeroba. SURGICEL FIBRILLAR är bakteriedödande vid laboratorieprov mot flera olika arter och underarter, inklusive följande:

*Staphylococcus aureus*

*Staphylococcus epidermidis*

*Micrococcus luteus*

*Streptococcus pyogenes* grupp A

*Streptococcus pyogenes* grupp B

*Streptococcus salivarius*

*Branhamella catarrhalis*

*Escherichia coli*

*Klebsiella aerogenes*

*Lactobacillus* sp.

*Salmonella enteritidis*

*Shigella dysenteriae*

*Serratia marcescens*

meticillinresistent *Staphylococcus aureus* (MRSA)

penicillinresistent *Streptococcus pneumoniae* (PRSP)

vancomycinresistent *Enterococcus* (VRE)

meticillinresistent *Staphylococcus epidermidis* (MRSE)

*Bacillus subtilis*

*Proteus vulgaris*

*Corynebacterium xerosis*

*Mycobacterium phlei*

*Clostridium tetani*

*Clostridium perfringens*

*Bacteroides fragilis*

*Enterococcus*

*Enterobacter cloacae*

*Pseudomonas aeruginosa*

*Pseudomonas stutzeri*

*Proteus mirabilis*

Studier på djur har visat att det blödningsstillande medlet SURGICEL FIBRILLAR, till skillnad från andra sådan medel, inte främjar experimentell infektion. Produkten är emellertid inte ett alternativ till systemiskt applicerade terapeutiska eller profylaktiska antimikrobiella medel.

SURGICEL FIBRILLAR har många användningsområden inom kirurgin, t ex vid kardiovaskulära ingrepp, hemorrojdektomi, implantering av vaskulära proteser, biopsi, lungoperationer, kirurgiska ingrepp i ansikte och käke, gastrisk resektion, operationer i hals och näsa, lever och gallblåsa, gynekologiska ingrepp, sympatektomi i bröst och abdomen, nervkirurgi, vissa hjärnoperationer, sköldkörteloperation, hudtransplantation, behandling av ytliga sårskador.

## Indikationer

SURGICEL FIBRILLAR används som ett hjälpmedel vid kirurgiska ingrepp, vid behov av att begränsa blödnings från kapillärer, vener och små artärer, när liggering eller andra konventionella metoder är opraktiska eller ineffektiva. Klipp produkten till lämplig storlek för användning vid endoskopiskt ingrepp.

## Kontraindikationer

- Packning och vaddering är ibland medicinskt nödvändigt, men SURGICEL FIBRILLAR bör inte användas på detta sätt, om det inte skall avlägsnas när blödningen har stillats. (se avsnittet Försiktighetsåtgärder)
- SURGICEL FIBRILLAR bör inte användas för implantering i bendefekter, såsom t ex frakturer, eftersom det finns en viss risk för valkbildning och en teoretisk risk för cystbildning.
- Om SURGICEL FIBRILLAR används för att stoppa blödning i, kring eller i närheten av öppningar i ben, av ben omslutet område, ryggraden, synnerven eller synnervskorsningen, skall den alltid tas bort när blödningen avstannat, eftersom den sväller och då skulle kunna ge oönskat tryck på känsliga kroppsdelar.
- Den här produkten bör inte användas för att hämma blödning från stora artärer.
- SURGICEL FIBRILLAR bör inte användas på icke-blödande, seröst rinnande ytor, eftersom andra kroppsvätskor än helblod, t ex serum, inte reagerar med den här produkten på det sätt som krävs för att den skall ge den blödningshämmande effekten.
- SURGICEL FIBRILLAR bör inte användas för att förhindra sammanväxning.

## Varningar

- SURGICEL FIBRILLAR levereras sterilt och eftersom materialet inte kan steriliseras i autoklav eller med etylenoxid, får det inte omsteriliseras.
- SURGICEL FIBRILLAR är inte avsett som en ersättning för noggrann kirurgi och korrekt användning av suturer och ligaturer.
- Komplikationer kan uppstå om SURGICEL FIBRILLAR innesluts i ett förorenat sår utan dränering, varför sådan inneslutning skall undvikas.
- Den blödningsstillande effekten som SURGICEL FIBRILLAR ger är större om den appliceras torr. Produkten bör därför inte fuktas med vatten eller saltlösning.
- SURGICEL FIBRILLAR får inte impregneras med infektionshämmande medel eller med andra ämnen med buffrande eller blödningsstillande egenskaper. Den blödningshämmande effekten främjas inte genom tillsats av trombin, vars verkan i stället förstörs av det låga pH-värdet i den här produkten.
- Även om SURGICEL FIBRILLAR kan lämnas på platsen om så behövs, rekommenderar vi att produkten avlägsnas när blödningen väl avstannat. Produkten skall alltid avlägsnas från platsen när den används för att stoppa blödning i, kring eller i närheten av öppningar i ben, av ben omslutet område, ryggraden, synnerven eller synnervskorsningen, oavsett vilken typ av kirurgi som utförts, eftersom den när den sväller kan ge upphov till oönskat tryck som leder till förlamning och/eller nervskada. Produkten kan eventuellt förskjutas vid ompackning, ytterligare kirurgiskt ingrepp, spolning, häftig andning osv. Det har rapporterats att produkten vid sådana ingrepp som lobektomi, laminektomi och reparation av fraktur på främre skallbenet och sönderslitning lob migrerat från applikationsplatsen till hålrum i ben kring ryggraden och där givit upphov till förlamning och i ett fall till vänster ögonhåla och där orsakat blindhet. Även om dessa rapporter inte kunnat bekräftas skall läkaren vara särskilt försiktig, **oavsett typ av kirurgiskt ingrepp**, och beakta lämpligheten av att avlägsna produkten när blödningen väl hämmats.
- Produkten är bakteriedödande för ett stort antal sjukdomsframkallande mikroorganismer, men är inte avsedd att användas som en ersättning för systemiskt administrerade terapeutiska eller profylaktiska mikroorganismbekämpande ämnen för att kontrollera eller förhindra postoperativ infektion.

## Varningar!

- Använd bara så mycket av produkten som behövs för att stilla blödningen, och håll den stadigt på plats tills blödningen upphör. Avlägsna eventuellt överskott innan operationssåret försluts, för att främja absorptionen och minimera risken för bortstötning.
- Vid urologiska ingrepp bör mängden SURGICEL FIBRILLAR som används vara minimal och försiktighet iakttas för att undvika att urinröret, uretär eller kateter sätts igen av förskjutna delar av produkten.
- Eftersom absorptionen av produkten kan förhindras i kemiskt kauteriserade områden, bör appliceringen av den här produkten inte följas av applicering av silverniträt eller annan frätande kemikalie.
- Om produkten används tillfälligt för att fodra in håligheten i stort, öppet sår, skall den placeras så att den inte överlappar hudkanterna. Avlägsna alltid produkten med pincett eller genom sköljning med sterilt vatten eller saltlösning från öppna sår, när blödningen har upphört.
- Vidta förebyggande åtgärder för att förhindra att patienten andas in materialet vid otorinolaryngologiskt ingrepp. Exempel: hämmande av blödning efter tonsillektomi och kontroll av näsblödning.
- Var noga med att inte applicera produkten för hårt, när den används som omslag vid vasculär kirurgi (se avsnittet om negativa reaktioner).

## Riktlinjer för användning vid endoskopiska procedurer:

(se bilderna 1 och 2 på sidan 04).

*Figure 1. Klipp produkten till lämplig storlek för användning vid endoskopiskt ingrepp. Endoskopet används på vanligt sätt fram till det att den absorberbara hemostatiska produkten skall appliceras. Grip tag i ett av hörnen på produkten. Dra in materialet i operationskanalen, så att det helt kommer in innanför laparoskopets ände, med en stadig bakåtrörelse.*

*Figure 2.A. För in laparoskopet i patienten igen, via hylsan, och placera endoskopet över det område där produkten skall appliceras. Tryck försiktigt in gripinstrumentet och materialet i kaviteten.*

*Figure 2.B. Gripinstrumentet kan användas för placering av produkten på en andra och/eller tredje plats.*

## Negativa reaktioner

- "Inkapsling" av vätska och reaktion mot främmande kropp har rapporterats.
- Stenos har rapporterats vid applicering av produkten som omslag vid vasculära ingrepp. Man har inte kunnat påvisa någon direkt koppling mellan stenosen och användningen av den här produkten, men det är ändå viktigt att man är försiktig och undviker att applicera produkten hårt som omslag.
- Förlamning och nervskada har rapporterats vid användning av produkten i, kring eller i närheten av foramin i ben, områden som är omslutna av ben, ryggraden och/eller synnerven eller synnervskorsningen. De flesta av dessa rapporter har samband med laminektomi, men det har även förekommit rapporter om förlamning i samband med andra procedurer. Blindhet har rapporterats i samband med kirurgisk reparation av sönderslitning i vänster, främre lob, då produkten applicerades i främre delen av kraniet (se avsnittet med varningar och försiktighetsåtgärder).
- Det har rapporterats om möjlig förlängd dränering vid cholecystektomi och svårigheter för urinen att passera genom urinröret efter prostatektomi. Det har kommit en rapport om blockerad urinledare efter njurresektion, varvid postoperativ kateterisering krävdes.
- Tillfälliga rapporter om brännande och stickande känsla och nysning när produkten använts för att stilla näsblod, tros bero på produktens låga pH-värde.
- Brännande känsla har rapporterats vid applicering av produkten efter borttagning av polyper från

näsan och hemorrojdektomi. Huvudvärk, brännande och stickande känsla samt nysning vid näsblödning och andra rinologiska procedurer. Det förekommer också rapporter om stickande känsla när produkten applicerats på sårta (bensår, skavsår och donatorplatser) har rapporterats.

### **Dosering och administration**

Använd steril teknik för att ta ur produkten från sin sterila behållare. Minimal mängd av produkten, i lämplig storlek, läggs på den blödande platsen eller hålls stadigt mot vävnaden tills blödningen har upphört.

Den mängd som behövs beror på typ av blödning och blödningens intensitet. Den hemostatiska effekten hos SURGICEL FIBRILLAR är särskilt stor när produkten används torr. Vi rekommenderar inte att produkten fuktas med vatten eller fysiologisk saltlösning.

### **Förvaring och hylltid**

SURGICEL FIBRILLAR skall förvaras torrt och under kontrollerade förhållanden (15-30 °C) och skyddad mot direkt solljus, i sin originalförpackning.

För ej användas om den enskilda förpackningen är skadad/öppnad. Produkten får ej omsteriliseras! SURGICEL FIBRILLAR levereras steril i originalförpackningar i olika storlekar.

Bästföredatum är tryckt på förpackningen. Använd inte produkten efter det datumet.

## **NL** Beschrijving

SURGICEL® FIBRILLAR absorbeerbaar haemostaticum is een steriel absorbeerbaar fibreus materiaal dat is geprepareerd door de gecontroleerde oxidatie van geregenereerde cellulose. De stof is wit met een zachtgele gloed en heeft een licht, karamelachtig aroma. Zij is sterk en kan worden gehecht of afgeknipt zonder dat het gaat rafelen. Zij is stabiel en dient bewaard te worden bij beheerste kamertemperatuur. Bij veroudering kan een lichte verkleuring ontstaan maar die heeft geen effect op de prestatie.

Door de vezelachtige vorm van het product kan de chirurg ongeacht welke hoeveelheid SURGICEL FIBRILLAR Haemostaticum met forceps grijpen om hemostase op een specifieke bloedende plek te bereiken. Hierdoor is het handig voor moeilijk te bereiken of onregelmatig gevormde bloedende plekken.

Hoewel het gemakkelijk is de gewenste hoeveelheid SURGICEL FIBRILLAR Haemostaticum van de volledige hoeveelheid te trekken, blijft de groep geselecteerde vezels aan elkaar hechten en is het gemakkelijk aan te brengen op de bloedende plek. Het verspreidt zich niet over de operatieplek.

## Toepassingen

Het werkingsmechanisme waarbij SURGICEL FIBRILLAR Haemostaticum de stolling versnelt is niet volledig bekend, maar het schijnt eerder een fysisch effect dan een verandering van het normale fysiologische stollingsmechanisme te zijn. Nadat SURGICEL FIBRILLAR Haemostaticum is verzadigd met bloed, zwelt het tot een bruine of zwarte gelatineuze massa die helpt bij het vormen van een stolsel en doet daarbij dienst als een hemostatisch adjuvans bij het onder controle brengen van een lokale hemorragie. Bij correct gebruik in minimale hoeveelheden wordt SURGICEL FIBRILLAR Haemostaticum geabsorbeerd uit de implantatieplaatsen zonder praktisch enige weefselreactie. Absorptie is afhankelijk van verschillende factoren inclusief de gebruikte hoeveelheid, mate van saturatie met bloed en het weefselbed.

Naast de lokale hemostatische eigenschappen, is SURGICEL FIBRILLAR Haemostaticum bactericide *in vitro* tegen een groot aantal Grampositieve en Gramnegatieve organismen inclusief aëroben en anaëroben. SURGICEL FIBRILLAR Haemostaticum is *in vitro* bactericide tegen speciestammen inclusief die van:

*Staphylococcus aureus*  
*Staphylococcus epidermidis*  
*Micrococcus luteus*  
*Streptococcus pyogenes* Groep A  
*Streptococcus pyogenes* Groep B  
*Streptococcus salivarius*  
*Branhamella catarrhalis*  
*Escherichia coli*  
*Klebsiella aerogenes*  
*Lactobacillus* sp.  
*Salmonella enteritidis*  
*Shigella dysenteriae*  
*Serratia marcescens*

*Bacillus subtilis*  
*Proteus vulgaris*  
*Corynebacterium xerosis*  
*Mycobacterium phlei*  
*Clostridium tetani*  
*Clostridium perfringens*  
*Bacteroides fragilis*  
*Enterococcus*  
*Enterobacter cloacae*  
*Pseudomonas aeruginosa*  
*Pseudomonas stutzeri*  
*Proteus mirabilis*

meticilline-resistente *Staphylococcus aureus* (MRSA)  
penicilline-resistente *Streptococcus pneumoniae* (PRSP)  
vancomycine-resistente *Enterococcus* (VRE)  
meticilline-resistente *Staphylococcus epidermidis* (MRSE)

Dierproeven tonen aan dat SURGICEL FIBRILLAR Haemostaticum in tegenstelling tot andere haemostatica experimentele infectie niet versterkt. SURGICEL FIBRILLAR Haemostaticum is echter geen alternatief voor systemisch toegediende therapeutische of profylactische antimicrobiële middelen.

SURGICEL FIBRILLAR Haemostaticum kan op veel chirurgische gebieden worden gebruikt, bijv. cardiovasculaire chirurgie, hemorrhoidectomie, implantatie van vaatprothesen, biopsies, longoperaties, chirurgische ingrepen in gezicht en kaak, maagsectie, operaties aan de keel of neus, lever- en galblaasoperaties, gynaecologische operaties, thorax- en abdominale sympathectomieën, neurochirurgie, met name cerebrale operaties, schildklieroperaties, huidtransplantaties en behandeling van oppervlakkig letsel.

## Indicaties

SURGICEL FIBRILLAR Haemostaticum wordt adjuvant gebruikt bij chirurgische procedures als hulpmiddel bij het onder controle houden van capillaire, veneuze en kleine arteriële hemorragie wanneer ligatie of andere conventionele controlemethoden niet praktisch of ineffectief zijn. SURGICEL FIBRILLAR Haemostaticum kan op maat worden geknipt voor gebruik in endoscopische procedures.

## Contra-indicaties

- Hoewel het leggen van compressen of watteren soms medisch noodzakelijk is, dient SURGICEL FIBRILLAR Haemostaticum niet op deze manier te worden gebruikt, tenzij het verwijderd dient te worden nadat hemostase is bereikt. (Zie waarschuwingen en voorzorgen).
- SURGICEL FIBRILLAR Haemostaticum dient niet te worden gebruikt voor implantatie in botdefecten, zoals fracturen, daar de mogelijkheid bestaat van interferentie met callusvorming en een theoretische kans op cystevorming.

- Bij gebruik van SURGICEL FIBRILLAR Haemostaticum als hulpmiddel bij het bereiken van hemostase in, rond, of in de nabijheid van botforamina, gebieden van botachtige omsluiting, het ruggenmerg, of de oogzenuw en het chiasma, moet het altijd worden verwijderd nadat hemostase is bereikt daar het zal zwellen en ongewenste druk kan uitoefenen.
- SURGICEL FIBRILLAR Haemostaticum dient niet te worden gebruikt voor het onder controle brengen van hemorragie uit grote aderen.
- SURGICEL FIBRILLAR Haemostaticum dient niet te worden gebruikt op niet-hemorragische sereuze vloeistof afscheidende oppervlakken, daar andere lichaamsvloeistoffen dan totaal bloed, zoals serum, niet reageren met SURGICEL FIBRILLAR Haemostaticum voor het produceren van een bevredigend hemostatisch effect.
- SURGICEL FIBRILLAR Haemostaticum dient niet te worden gebruikt als adhesiepreventieproduct.

## Waarschuwingen

- SURGICEL FIBRILLAR Haemostaticum wordt steriel geleverd en daar het materiaal niet compatibel is met sterilisatie in een autoclaaf en ethyleenoxidesterilisatie dient SURGICEL FIBRILLAR Haemostaticum niet opnieuw gesteriliseerd te worden.
- SURGICEL FIBRILLAR Haemostaticum is niet bedoeld als vervanging voor precisiechirurgie en het correcte gebruik van sutura en ligaturen.
- Het insluiten van SURGICEL FIBRILLAR Haemostaticum in een gecontamineerde wond zonder drainage kan leiden tot complicaties en dient vermeden te worden.
- Het hemostatische effect van SURGICEL FIBRILLAR Haemostaticum is groter wanneer het droog wordt opgebracht; het dient daarom niet bevochtigd te worden met water of fysiologische zoutoplossing.
- SURGICEL FIBRILLAR Haemostaticum dient niet geïmpregneerd te worden met anti-infectieuze stoffen of met andere materialen zoals bufferende of hemostatische substanties. Het hemostatische effect wordt niet versterkt door het toevoegen van trombine, waarvan de werking wordt vernietigd door de lage pH van het product.
- Hoewel SURGICEL FIBRILLAR Haemostaticum indien nodig *in situ* kan worden gelaten, is het raadzaam het te verwijderen zodra hemostase is bereikt. Het moet **altijd** worden verwijderd van de applicatieplek bij gebruik in, rond, of in de nabijheid van botforamina, gebieden van botachtige omsluiting, het ruggenmerg en/of de oogzenuw en het chiasma ongeacht het type chirurgische procedure omdat SURGICEL FIBRILLAR Haemostaticum, door middel van zwelling, druk kan uitoefenen die kan resulteren in paralyse en/of zenuwbeschadiging. Losraken van SURGICEL FIBRILLAR Haemostaticum kan mogelijk optreden als gevolg van het opnieuw leggen van compressen, verdere intra-operatieve manipulatie, lavage, overdreven respiratie, enz. Er zijn meldingen geweest dat bij procedures zoals lobectomie, laminectomie en reparatie van een frontale schedelfractuur en lobuslaceratie dat SURGICEL FIBRILLAR Haemostaticum, indien na het sluiten achtergelaten in de patiënt, migreerde van de applicatieplek naar botforamina rond het ruggenmerg hetgeen resulteerde in paralyse en, in een ander geval, de linker oogkas, met blindheid als gevolg. Hoewel deze meldingen niet bevestigd kunnen worden dienen artsen speciale aandacht te besteden, **ongeacht het type chirurgische procedure**, om de raadzaamheid te overwegen van het verwijderen van SURGICEL FIBRILLAR Haemostaticum nadat hemostase is bereikt.
- Hoewel SURGICEL FIBRILLAR Haemostaticum bactericide is tegen een groot aantal verschillende pathogene micro-organismen, is het niet bedoeld als vervangend middel voor systemisch toegediende therapeutische of profylactische antimicrobiële middelen voor het onder controle brengen of voorkomen van postoperatieve infecties.

## Voorzorgsmaatregelen

- Gebruik slechts de voor hemostase benodigde hoeveelheid SURGICEL FIBRILLAR Haemostaticum en houd het stevig op zijn plaats tot het bloeden stopt. Verwijder voorafgaand aan chirurgische sluiting al het overtollige om absorptie te bevorderen en de mogelijke reactie op vreemde lichamen tot een minimum te beperken.
- In urologische procedures, dienen minimale hoeveelheden SURGICEL FIBRILLAR Haemostaticum te worden gebruikt en dient men voorzichtig te zijn om te voorkomen dat urethra, ureter of een katheter verstopt raken door losgeraakte delen van het product.
- Daar absorptie van SURGICEL FIBRILLAR Haemostaticum voorkomen zou kunnen worden op chemisch gecauteriseerde gebieden, dient het gebruik ervan niet voorafgegaan te worden door het opbrengen van zilvernitraat of mogelijke andere escharotische chemicaliën.
- Wanneer SURGICEL FIBRILLAR Haemostaticum tijdelijk wordt gebruikt voor het bekleden van de holte van grote open wonden, dient het zodanig gelegd te worden dat het niet de randen van de huid overlapt. Het dient ook met een forceps uit een open wond of door middel van irrigatie met steriel water of steriele fysiologische zoutoplossing verwijderd te worden nadat het bloeden is gestopt.
- Om zeker te stellen dat niets van het materiaal wordt geïmpregneerd door de patiënt dienen voorzorgsmaatregelen getroffen te worden bij otorhinolaryngologische chirurgie. (Voorbeelden: onder controle brengen van hemorragie na tonsillectomie en het onder controle brengen van epistaxis).
- Bij gebruik als wikkeling tijdens vaatchirurgie dient men voorzichtig te zijn en SURGICEL FIBRILLAR Haemostaticum niet te strak aan te brengen (zie Nadelige reacties).

## Richtlijnen voor gebruik bij endoscopische procedures:

(zie figuur 1 en 2 op bladzijde 04).

*Figure 1. SURGICEL FIBRILLAR Haemostaticum dient op de juiste maat voor endoscopische plaatsing te worden geknipt. Standaard endoscopische procedures dienen tot het moment van plaatsing*



van het absorbeerbare hemostaat te worden gebruikt. Pak het SURGICEL FIBRILLAR Haemostaticum bij een hoek vast. Trek het materiaal met een vaste achterwaartse beweging in het operatiekanaal tot het materiaal omsloten is in het uiteinde van de laparoscoop.

Figure 2.A. Plaats de laparoscoop terug in de patiënt via de manchet en herpositioneer de scoop over het gebied van de gewenste applicatie. Duw het grijpinstrument en materiaal langzaam in de holte.

Figure 2.B. De plaatsing kan worden uitgevoerd met behulp van grijpinstrumenten in een tweede en/of derde hulplocatie en het materiaal kan op zijn plaats worden gebracht.

## Nadelige reacties

- Er zijn meldingen geweest van "inkapseling" van vloeistof en reacties op vreemde lichamen.
- Er zijn meldingen geweest van stenotisch effect bij het opbrengen van SURGICEL FIBRILLAR Haemostaticum als een wikkeling tijdens vasculaire chirurgie. Hoewel niet is vastgesteld dat de stenose rechtstreeks in verband stond met het gebruik van SURGICEL FIBRILLAR Haemostaticum, is het belangrijk dat men voorzichtig is en het materiaal niet te strak aanbrengt als wikkeling.
- Paralyse en zenuwbeschadiging zijn gemeld bij het gebruik van SURGICEL FIBRILLAR Haemostaticum rond, in, of in de nabijheid van botforamina, gebieden van botachtige omsluiting, het ruggenmerg en/of de oogzenuw en het chiasma. Hoewel de meeste van de meldingen verband hielden met laminectomie, zijn meldingen van paralyse ook ontvangen in verband met andere procedures. Blindheid is gemeld in verband met chirurgische reparatie van een linker frontale lobuslaceratie bij plaatsing van SURGICEL FIBRILLAR Haemostaticum in de fossa cranialis anterior (zie Waarschuwingen en Voorzorgsmaatregelen).
- Mogelijke prolongatie van drainage bij cholecystectomieën en problemen bij het urineren via de urethra na prostatectomie zijn gemeld. Er is één melding gekomen van een verstopte ureter na nierresectie, waarin postoperatieve katheterisatie noodzakelijk was.
- Incidentele meldingen van een "brandend" en "stekend" gevoel en niezen bij gebruik van SURGICEL FIBRILLAR Haemostaticum als kompres bij epistaxis, zijn naar men aanneemt het gevolg van de lage pH van het product.
- Bij het aanbrengen van SURGICEL FIBRILLAR Haemostaticum na het verwijderen van een neuspoliep en na hemorroïdectomie is een brandend gevoel gemeld. Hoofdpijn, branden, steken en niezen bij epistaxis en andere rinologische procedures. Er zijn ook meldingen gedaan van steken nadat SURGICEL FIBRILLAR Haemostaticum was opgebracht op oppervlakkige wonden (variceuze ulceraties, dermabrasie en donorplekken).

## Dosering en wijze van toediening

Bij het verwijderen van SURGICEL FIBRILLAR Haemostaticum uit de steriele verpakking dient steriele techniek aangehouden te worden. Minimale hoeveelheden SURGICEL FIBRILLAR Haemostaticum in een passend formaat worden op de bloedende plek gelegd of stevig tegen de weefsels gehouden tot hemostase is verkregen.

De benodigde hoeveelheid is afhankelijk van de aard en intensiteit van de te stoppen hemorragie. In droge vorm is het hemostatische effect van SURGICEL FIBRILLAR Haemostaticum bijzonder sterk. Het bevochtigen van het materiaal met water of fysiologische zoutoplossing wordt afgeraden.

## Bewaren en houdbaarheid

SURGICEL FIBRILLAR Haemostaticum dient droog onder beheerste condities (15 °C-30 °C) en beschermd tegen direct zonlicht in de originele verpakking bewaard te worden.

Niet gebruiken wanneer de individuele verpakking beschadigd/geopend is. Niet opnieuw steriliseren. Het geleverde SURGICEL FIBRILLAR Haemostaticum is steriel als origineel pakket in verschillende grootten verkrijgbaar.

De uiterste gebruiksdatum van dit product is afgedrukt op de verpakking. SURGICEL FIBRILLAR Haemostaticum na deze datum niet meer gebruiken.

## **PT** Descrição

O Hemostático Absorvível SURGICEL® FIBRILHAR consiste em material fibroso esterilizado, absorvível, preparado por oxidação controlada de celulose regenerada. O tecido é branco com um tom ligeiramente amarelado e possui um aroma suave semelhante ao do caramelo. É forte e pode ser suturado ou cortado sem desfiar. É estável e deve ser armazenado à temperatura ambiente controlada. Pode ocorrer uma ligeira descoloração no decurso do tempo, mas tal não influencia o desempenho.

A forma fibrillar do produto permite que o cirurgião agarre com a pinça qualquer quantidade de Hemostático SURGICEL FIBRILHAR necessário para obter a hemóstase num determinado local hemorrágico. Isto torna-o cómodo para alcançar locais hemorrágicos difíceis de aceder ou com forma irregular. Embora seja fácil de puxar a quantidade desejada do Hemostático SURGICEL FIBRILHAR de todo o fornecimento, o grupo de fibras seleccionadas continua a aderir entre si, e a aplicação no local hemorrágico é facilmente controlada. Não ocorre dispersão indesejada por cima do local operatório.

## Actuação

Desconhece-se com rigor o mecanismo de acção graças ao qual o Hemostático SURGICEL FIBRILHAR acelera a coagulação, mas parece consistir num efeito físico em vez de qualquer alteração do mecanismo fisiológico normal de coagulação. Depois de o Hemostático SURGICEL FIBRILHAR ter sido embebido em sangue, aumenta de volume transformando-se numa massa gelatinosa castanha ou preta que ajuda à formação de um coágulo, actuando assim como adjuvante hemostático no controlo da hemorragia local. Quando usado correctamente em quantidades mínimas, o Hemostático SURGICEL FIBRILHAR é absorvido a partir dos locais de implantação sem praticamente nenhuma reacção tecidular. A absorção varia de acordo com diversos factores, incluindo a quantidade utilizada, o grau de saturação com sangue e o leito tecidular.

Para além das suas propriedades hemostáticas locais, o Hemostático SURGICEL FIBRILHAR é bactericida *in vitro* contra um largo espectro de microrganismos gram-positivos e gram-negativos, incluindo aeróbios e anaeróbios. O Hemostático SURGICEL FIBRILHAR é bactericida *in vitro* contra estirpes de espécies incluindo as de:

*Staphylococcus aureus*  
*Staphylococcus epidermidis*

*Micrococcus luteus*

*Streptococcus pyogenes* Grupo A

*Streptococcus pyogenes* Grupo B

*Streptococcus salivarius*

*Branhamella catarrhalis*

*Escherichia coli*

*Klebsiella aerogenes*

*Lactobacillus* sp.

*Salmonella enteritidis*

*Shigella dysenteriae*

*Serratia marcescens*

*Staphylococcus aureus* resistentes à meticilina (MRSA)

*Streptococcus pneumoniae* resistentes à penicilina (PRSP)

*Enterococcus* resistentes à vancomicina (VRE)

*Staphylococcus epidermidis* resistentes à meticilina (MRSE)

*Bacillus subtilis*

*Proteus vulgaris*

*Corynebacterium xerosis*

*Mycobacterium phlei*

*Clostridium tetani*

*Clostridium perfringens*

*Bacteroides fragilis*

*Enterococcus*

*Enterobacter cloacae*

*Pseudomonas aeruginosa*

*Pseudomonas stutzeri*

*Proteus mirabilis*

Estudos efectuados no animal mostram que o Hemostático SURGICEL FIBRILHAR, ao contrário do que se verifica com outros agentes hemostáticos, não aumenta a infecção induzida de forma experimental. O Hemostático SURGICEL FIBRILHAR não é, contudo, uma alternativa a agentes antimicrobianos terapêuticos ou profiláticos administrados por via sistémica.

O Hemostático SURGICEL FIBRILHAR pode ser usado em várias áreas cirúrgicas como, por exemplo, cirurgia cardiovascular, hemorroidectomia, implantação de próteses vasculares, biópsias, operações pulmonares, cirurgia da face e mandíbula, ressecção gástrica, operações da garganta ou nariz, operações do fígado e vesícula biliar, operações ginecológicas, simpatectomias torácicas e abdominais, neurocirurgia, em especial operações cerebrais, operações da tiróide, transplantes cutâneos tratamento de lesões superficiais.

## Indicações

O Hemostático SURGICEL FIBRILHAR é usado como adjuvante em procedimentos cirúrgicos, para ajudar no controlo da hemorragia capilar, venosa e de pequenas artérias, quando a laqueação ou os outros métodos convencionais de controlo se revelam pouco práticos ou ineficazes. O Hemostático SURGICEL FIBRILHAR pode ser cortado na dimensão adequada para procedimentos endoscópicos.

## Contra-indicações

- Embora o tamponamento ou enchimento de uma cavidade esteja por vezes medicamente indicado, o Hemostático SURGICEL FIBRILHAR não deverá ser usado desta forma, excepto se for posteriormente removido, após a obtenção da hemóstase. (Consultar Advertências e Precauções).
- O Hemostático SURGICEL FIBRILHAR não deve ser usado para implantação em defeitos ósseos, tais como fracturas, dado que existe a possibilidade de interferência com a formação do calo ósseo e uma probabilidade teórica de formação de quistos.
- Quando se utilizar o Hemostático SURGICEL FIBRILHAR para obter a hemóstase em, em torno

ou na proximidade de forâmens ósseos, áreas de confinamento ósseo, medula espinal, ou nervo e quiasma ópticos, deve ser sempre removido após obtenção da hemóstase, dado que irá aumentar de volume e poderá exercer uma pressão indesejada.

- O Hemostático SURGICEL FIBRILHAR não deve ser usado para controlo da hemorragia de grandes artérias.
- O Hemostático SURGICEL FIBRILHAR não deve ser usado em superfícies exsudativas serosas não hemorrágicas, dado que fluidos corporais diferentes do sangue total, como o soro, não reagem com o Hemostático SURGICEL FIBRILHAR para produzir um efeito hemostático satisfatório.
- O Hemostático SURGICEL FIBRILHAR não deve ser usado como um produto anti-aderências.

## Advertências

- O Hemostático SURGICEL FIBRILHAR é fornecido esterilizado e dado que o material não é compatível com a autoclavagem ou esterilização com óxido de etileno, o Hemostático SURGICEL FIBRILHAR não deve ser reesterilizado.
- O Hemostático SURGICEL FIBRILHAR não se destina a ser utilizado em substituição de uma técnica cirúrgica meticulosa e da aplicação adequada de suturas e laqueações.
- O encerramento do Hemostático SURGICEL FIBRILHAR numa ferida contaminada sem drenagem pode dar origem a complicações, pelo que deve ser evitado.
- O efeito hemostático do Hemostático SURGICEL FIBRILHAR é maior quando este é aplicado seco; por conseguinte, não deve ser humedecido com água nem com solução salina.
- O Hemostático SURGICEL FIBRILHAR não deve ser impregnado com agentes anti-infecciosos nem com outro material, tal como substâncias tampão ou hemostáticas. O seu efeito hemostático não é potenciado pela adição de trombina, cuja actividade é destruída pelo baixo pH do produto.
- Embora o Hemostático SURGICEL FIBRILHAR possa ser deixado *in situ* quando necessário, é aconselhável proceder à sua remoção após obtenção da hemóstase. Deve ser **sempre** removido do local da aplicação quando for utilizado em, em torno ou na proximidade de forâmens ósseos, áreas de confinamento ósseo, medula espinal, ou nervo e quiasma ópticos, independentemente do procedimento, dado que o Hemostático SURGICEL FIBRILHAR, devido ao seu aumento de volume, poderá exercer pressão provocando paralisia e/ou lesão nervosa. Pode possivelmente ocorrer deslocação do Hemostático SURGICEL FIBRILHAR por meios como retampamento, manipulação intra-operatória adicional, lavagem, respiração exagerada, etc. Foram registadas notificações desta situação em procedimentos tais como lobectomia, laminectomia e reparação de uma fractura do osso frontal do crânio e laceração lobular, onde o Hemostático SURGICEL FIBRILHAR, quando deixado no doente após o encerramento, migrou do local de aplicação para os forâmens ósseos em redor da medula espinal, provocando paralisia e, noutro caso, na órbita esquerda, provocando cegueira. Embora não seja possível confirmar este relato, os médicos devem usar de especial precaução, **independentemente do tipo de procedimento cirúrgico**, ao considerarem a prudência da remoção do Hemostático SURGICEL FIBRILHAR após obtenção da hemóstase.
- Embora o Hemostático SURGICEL FIBRILHAR seja bactericida contra um largo espectro de microorganismos patogénicos, não se destina a actuar como substituto de agentes antimicrobianos terapêuticos ou profilácticos administrados por via sistémica para controlo ou prevenção de infeções pós-operatórias.

## PRECAUÇÕES

- Utilizar a quantidade mínima do Hemostático SURGICEL FIBRILHAR necessária para a obtenção da hemóstase, segurando-o firmemente no local até estancar a hemorragia. Retirar qualquer excesso antes do encerramento cirúrgico, visando facilitar a absorção e minimizar a possibilidade de reacção ao corpo estranho.
- Em procedimentos urológicos, deve usar-se uma quantidade mínima de Hemostático SURGICEL FIBRILHAR e ter cuidado para impedir a obstrução da uretra, uréter ou algália por porções do produto que se desloquem.
- Dado que a absorção do Hemostático SURGICEL FIBRILHAR pode ser impedida em áreas objecto de cauterização química, a sua utilização não deve ser antecedida pela aplicação de nitrato de prata nem de qualquer outra substância química escarótica.
- Caso se utilize transitivamente o Hemostático SURGICEL FIBRILHAR para revestimento da cavidade de feridas abertas de grandes dimensões, este deve ser colocado de modo a não se sobrepor às irregularidades da pele. Deve também ser removido de feridas abertas utilizando uma pinça ou mediante irrigação com água esterilizada ou solução salina depois de estancada a hemorragia.
- Devem tomar-se precauções em cirurgia otorrinolaringológica, visando garantir que nenhum do material é aspirado pelo doente. (Exemplos: controlo da hemorragia após amigdalectomia e controlo da epistaxis).
- Deve usar-se de precaução para não aplicar o Hemostático SURGICEL FIBRILHAR demasiado apertado quando este é usado como invólucro durante a cirurgia vascular (Consultar Reacções Adversas).

## Instruções de utilização em procedimentos endoscópicos:

(consultar a Figura 1 e 2 na página 04).

*Figure 1.* O Hemostático SURGICEL FIBRILHAR deve ser cortado na dimensão adequada para colocação endoscópica. *Devem usar-se procedimentos endoscópicos padrão até ao ponto de colocação do hemostático absorvível.* Agarrar no Hemostático SURGICEL FIBRILHAR num dos cantos. *Com um movimento firme para trás, puxar o material para dentro do canal de trabalho, até que o material esteja no interior da extremidade do laparoscópio.*

Figure 2.A. Colocar o laparoscópio novamente no doente através da cânula e reposicionar o laparoscópio por cima da área onde se pretende aplicar. Empurrar lentamente o instrumento de prensão e o material para dentro da cavidade.

Figure 2.B. Com a utilização de instrumentos de prensão num segundo e/ou terceiro locais auxiliares, pode proceder-se à colocação e posicionamento do material.

## Reacções adversas

- Foram notificados casos de reacção de "encapsulação" de líquido e reacções de corpo estranho.
- Foram registadas notificações de efeito estenótico quando o Hemostático SURGICEL FIBRILHAR foi aplicado como invólucro durante a cirurgia vascular. Embora não tenha ficado estabelecido que a estenose esteve directamente relacionada com a utilização do Hemostático SURGICEL FIBRILHAR, é importante ser cauteloso e evitar aplicar o material demasiado apertado como invólucro.
- Foram notificados casos de paralisia e lesão nervosa quando se utilizou o Hemostático SURGICEL FIBRILHAR em torno ou na proximidade de foramens ósseos, áreas de confinamento ósseo, medula espinal e/ou nervo e quiasma ópticos. Embora a maioria dos casos estivesse relacionada com procedimentos de laminectomia, também foram recebidas notificações de paralisia relacionada com outros procedimentos. Foram notificados casos de cegueira relacionados com a reparação cirúrgica de um lóbulos frontal esquerdo lacerado quando se colocou o Hemostático SURGICEL FIBRILHAR na fossa craniana anterior (consultar Advertências e Precauções).
- Foram notificados casos de possível prolongamento da drenagem no contexto da colecistectomia e dificuldade em fazer passar a urina através da uretra após prostatectomia. Foi notificado um caso de bloqueio ureteral após ressecção renal, na qual se mostrou necessária algaliação no pós-operatório.
- Pensa-se que os relatos ocasionais de sensações de "ardor" e "picadas" e espirros quando se utiliza o Hemostático SURGICEL FIBRILHAR como tampão na epistaxis se devem ao baixo pH do produto.
- Foi notificado ardor quando se aplicou o Hemostático SURGICEL FIBRILHAR após remoção de pólipos nasal e após hemorroidectomia. Foram notificados casos de cefaleias, ardor, picadas e espirros na epistaxis e noutros procedimentos rinológicos. Também foram registadas notificações de picadas quando se aplicou o Hemostático SURGICEL FIBRILHAR em feridas superficiais (ulcerações varicosas, demabrasões e locais dadores).

## Posologia e modo de administração

Na remoção do Hemostático SURGICEL FIBRILHAR do seu recipiente esterilizado deve usar-se uma técnica asséptica. São utilizadas quantidades mínimas de Hemostático SURGICEL FIBRILHAR, no tamanho adequado, que são colocadas no local da hemorragia ou seguradas firmemente contra os tecidos até à obtenção da hemóstase.

A quantidade necessária depende da natureza e intensidade da hemorragia a estancar. O efeito hemostático do Hemostático SURGICEL FIBRILHAR é particularmente acentuado quando o produto é usado seco. Não se recomenda o humedecimento do material com água ou solução salina fisiológica.

## Armazenamento e prazo de validade

O Hemostático SURGICEL FIBRILHAR deve ser armazenado seco em condições controladas (15°C-30°C) e protegido da luz solar directa, na embalagem original.

Não utilizar se a embalagem individual estiver aberta ou danificada. Não re-esterilizar. O Hemostático SURGICEL FIBRILHAR fornecido está disponível esterilizado como uma embalagem original em vários tamanhos.

O prazo de validade deste produto está impresso na embalagem. Não utilizar SURGICEL FIBRILHAR depois de passada esta data.

## FI Kuvaus

SURGICEL® FIBRILLAR -hemostaatti on steriili, imukykyinen kuituinen materiaali, joka on preparoitu hapettamalla kontrolloidusti regeneroitua selluloosaa. Kangas on vaaleankeltaiseen vivahtavan valkoinen ja siinä on mieto, karamellimainen tuoksu. Se on vahvaa ja sitä voi ommella tai leikata ilman, että se purkaantuu. Se on kestävä ja se täytyy säilyttää kontrolloidussa huoneenlämpötilassa. Väri saattaa muuttua hieman ajan myötä, mutta tämä ei vaikuta sen toimintakykyyn.

Tuotteen säkeisyyden ansiosta kirurgi voi otta pihdeillä tarvittavan määrän SURGICEL FIBRILLAR -hemostaattia tyrehtyttääkseen verenvuodon tietyissä vuotokohdassa. Tämä helpottaa vaikeapääsyisten tai epäsäännöllisen muotoisten vuotokohtien käsittelyä. Vaikka tarvittava määrä SURGICEL FIBRILLAR -hemostaattia on helppo irrottaa koko tuotteesta, irrotetun osan kuidut pysyvät kiinni toisissaan ja vuotokohtaan applikointia on helppo kontrolloida. Leviämistä leikkaukskohdan yli ei tapahdu.

## Toiminta

Toimintatapa, jolla SURGICEL FIBRILLAR -hemostaatti kiihdyttää hyytymistä, ei ole täysin tiedossa, mutta se vaikuttaa enemmänkin fyysikaaliselta tapahtumalta kuin normaalissa fysiologisessa hyytymismekanismissa tapahtuvalla muutoksella. Kun SURGICEL FIBRILLAR -hemostaatti on märkä verestä, se paisuu ruskehtavaksi tai mustaksi geelimäiseksi massaksi, mikä edesauttaa hyytymän muodostumista ja toimii näin hemostaattisena apuna paikallisen verenvuodon hillitsemisessä. Kun SURGICEL FIBRILLAR -hemostaattia käytetään oikein ja mahdollisimman vähän, se absorboituu implantointialueilta ilman lähes minkäänlaista kudusreaktiota. Absorboituminen riippuu useista tekijöistä mm. käytetystä määrästä, veren määrästä ja kudospohjasta.

Paikallisten hemostaattisten ominaisuuksiensa lisäksi SURGICEL FIBRILLAR -hemostaatti on bakteereita tappava *in vitro*-käytössä ja se tehoaa useisiin grampositiivisiin ja -negatiivisiin organismeihin mukaan lukien aerobit ja anaerobit. SURGICEL FIBRILLAR -hemostaatti on bakteereita tappava *in vitro*-käytössä ja se tehoaa mm. seuraaviin lajeihin:

*Staphylococcus aureus*

*Staphylococcus epidermidis*

*Micrococcus luteus*

*Streptococcus pyogenes*, A-ryhmä

*Streptococcus pyogenes*, B-ryhmä

*Streptococcus salivarius*

*Branhamella catarrhalis*

*Escherichia coli*

*Klebsiella aerogenes*

*Lactobacillus sp.*

*Salmonella enteritidis*

*Shigella dysenteriae*

*Serratia marcescens*

metisilliini-resistentti *Staphylococcus aureus* (MRSA)

penisilliini-resistentti *Streptococcus pneumoniae* (PRSP)

vankomysiini-resistentti *Enterococcus* (VRE)

metisilliini-resistentti *Staphylococcus epidermidis* (MRSE)

*Bacillus subtilis*

*Proteus vulgaris*

*Corynebacterium xerosis*

*Mycobacterium phlei*

*Clostridium tetani*

*Clostridium perfringens*

*Bacteroides fragilis*

*Enterococcus*

*Enterobacter cloacae*

*Pseudomonas aeruginosa*

*Pseudomonas stutzeri*

*Proteus mirabilis*

Eläimillä tehdyt tutkimukset ovat osoittaneet, että SURGICEL FIBRILLAR -hemostaatti toisin kuin muut hemostaattiset aineet ei edistä kokeellista infektiota. SURGICEL FIBRILLAR -hemostaatti ei kuitenkaan ole vaihtoehto systeemisesti käytettävälle terapeuttisille tai profylaktisille antimikrobisille aineille. SURGICEL FIBRILLAR -hemostaatti soveltuu käytettäväksi useissa kirurgisissa toimenpiteissä esim: kardiovaskulaariset leikkaukset, hemorroidektomia, vaskulaaristen proteesien implantointi, biopsiat, keuhkoleikkaukset, kasvo- ja leukaleikkaukset, mahalaukun tystytkset, kurkku- ja nenäleikkaukset, maksaja sappirakkoleikkaukset, gynekologiset leikkaukset, rintakehän tai vatsan sympatektomiat, neurokirurgia, erityisesti serebraaliset leikkaukset, kilpirauhasleikkaukset, ihosiirteet ja pintavammojen hoito.

## Indikaatiot

SURGICEL FIBRILLAR -hemostaattia käytetään apuna kirurgisissa toimenpiteissä kapillaarisen, venoosisen ja pienen arteriollisen verenvuodon tyrehtyttämiseen silloin kun ligatuura tai muut tavalliset menetelmät eivät ole tehokkaita tai käytännöllisiä. SURGICEL FIBRILLAR -hemostaatti voidaan leikata sopivan kokoiseksi endoskooppitoimenpiteitä varten.

## Kontraindikaatiot

- Vaikka pakkaaminen tai täyttäminen on joskus lääketieteellisistä syistä välttämätöntä, ei SURGICEL FIBRILLAR -hemostaattia tulisi käyttää tällä tavoin ellei sitä poisteta verenvuodon tyrehtyttyä. (Katso varoituksia ja varotoimenpiteitä).
- SURGICEL FIBRILLAR -hemostaattia ei saa käyttää implantointin luuvioissa, kuten murtumissa, sillä se saattaa häiritä uudisluun muodostumista, ja myös kystan muodostuminen on teoreettisesti mahdollista.
- Jos SURGICEL FIBRILLAR -hemostaattia käytetään verenvuodon tyrehtyttämiseen luussa olevassa aukossa, luisella alueella, selkäytimessä tai näköhermossa ja näköhermoristissä tai näiden ympärillä tai läheisyydessä, se täytyy poistaa verenvuodon tyrehtyttyä, sillä se paisuu ja saattaa aiheuttaa ei-toivottua painetta.

- SURGICEL FIBRILLAR -hemostaattia ei saa käyttää suurista valtimoista vuotavan veren tyrehdyttämiseen.
- SURGICEL FIBRILLAR -hemostaattia ei saa käyttää verta vuotamattomissa kudostenestettä vuotavissa kohdissa, koska muut kehonesteet kuin kokoveri, esim. seerumi, eivät reagoi SURGICEL FIBRILLAR -hemostaatin kanssa tyrehdyttäen verenvuotoa riittävällä tavalla.
- SURGICEL FIBRILLAR -hemostaattia ei saa käyttää tarttumista estävänä aineena.

## Varoituksia

- SURGICEL FIBRILLAR -hemostaatti toimitetaan steriiliin, ja koska materiaalia ei voi käsitellä autoklaavissa tai etyleenioksidisteriloinnilla, SURGICEL FIBRILLAR -hemostaattia ei saa steriloida uudelleen.
- SURGICEL FIBRILLAR -hemostaatti ei ole tarkoitettu korvaamaan huolellista leikkaustekniikkaa ja ompeleiden ja ligatuurien oikeaa käyttöä.
- SURGICEL FIBRILLAR -hemostaatin sulkeminen kontaminoituun haavaan ilman dreeniä saattaa aiheuttaa komplikaatioita ja sitä tulee näin ollen välttää.
- SURGICEL FIBRILLAR -hemostaatin verta tyrehdyttävä vaikutus on suurempi kun se applikoidaan kuivana, mistä syystä sitä ei tulisi kostuttaa vedellä tai suolaliuoksella.
- SURGICEL FIBRILLAR -hemostaattia ei saa kylmistä infektioita vastustavilla aineilla tai muilla materiaaleilla, kuten puskuri- tai hemostaattisilla aineilla. Sen hemostaattinen vaikutus ei parane lisäämällä trombiinia, jonka toimivuus lakkaa tuotteen alhaisen pH-arvon johdosta.
- Vaikka SURGICEL FIBRILLAR -hemostaatti voidaan tarvittaessa jättää *in situ*, on suositeltavaa että se poistetaan verenvuodon tyrehdytyttyä. SURGICEL FIBRILLAR -hemostaatti täytyy **aina** poistaa, jos sitä käytetään luussa olevassa aukossa, luisella alueella, selkäytimessä ja/tai näköhermossa ja näköhermoristissä tai näiden ympärillä tai läheisyydessä riippumatta siitä minkälainen kirurginen toimenpide on kyseessä, sillä turvotessaan se saattaa aiheuttaa halvaantumista ja/tai hermouurioita. SURGICEL FIBRILLAR -hemostaatti saattaa siirtyä pois paikaltaan esim. uudelleen pakkaamisen, muun leikkauksen aikaisen käsittelyn, pesun, liioitellun respiration, jne. johdosta. Tiedossa on tapauksia, joissa esim. lobektomia- ja laminektomiatoimenpiteissä sekä kallon etuosan murtuman ja laseroituneen lohkon korjaustoimenpiteissä, SURGICEL FIBRILLAR -hemostaatti potilaaseen jätettynä haavan sulkemisen jälkeen on siirtynyt applikointipaikaltaan selkäytimen ympärillä olevaan luuaukkoon aiheuttaen halvaantumista ja toisessa tapauksessa, silmän vasempaan silmäkuoppaan aiheuttaen sokeutumista. Niin kauan kuin näitä raportteja ei voida vahvistaa, on lääkärin harkittava erityisen huolellisesti suositusta poistaa SURGICEL FIBRILLAR -hemostaatti verenvuodon tyrehdytyttyä **kirurgisesta toimenpiteestä riippumatta**.
- Vaikka SURGICEL FIBRILLAR -hemostaatti on bakteereita tappava ja tehoa useisiin erilaisiin patogeeneisiin mikro-organismeihin, se ei ole tarkoitettu korvaamaan systemisesti annettavia terapeuttisia tai profylaktisia antimikrobiaalisia aineita leikkauksen jälkeisen infektion kontrolloimiseksi tai estämiseksi.

## Varotoimenpiteitä

- Käytä vain tarvittava määrä SURGICEL FIBRILLAR -hemostaattia pitäen sitä tiukasti paikallaan, kunnes verenvuoto tyrehtyy. Poista kaikki ylimääräinen aine ennen haavan sulkemista imeytymisen auttamiseksi ja vierasainereaktion mahdollisuuden minimoimiseksi.
- Urologisissa toimenpiteissä tulee käyttää mahdollisimman pieni määrä SURGICEL FIBRILLAR -hemostaattia ja erityistä varovaisuutta täytyy noudattaa, jottei virtsaputki, virtsanjohdin tai katetri tukkeudu paikaltaan siirtyneiden materiaalin osien johdosta.
- Koska SURGICEL FIBRILLAR -hemostaatin imeytyminen voi estyä kemiallisesti poltetuissa kohdissa, ei hopeanitraattia tai muuta syövyttävää kemikaalia saa käyttää ennen sen applikointia.
- Jos SURGICEL FIBRILLAR -hemostaattia käytetään suurten avohaavojen väliaikaiseen vuoraamiseen, täytyy se asettaa niin, ettei se mene päällekkäin ihon reunojen kanssa. Se täytyy myös poistaa avohaavoista pihdeillä tai liottamalla steriilillä vedellä tai suolaliuoksella sen jälkeen kun verenvuoto on tyrehtynyt.
- Otorinolaryngologisissa toimenpiteissä täytyy käyttää varotoimenpiteitä, joilla varmistetaan, että potilas ei vedä materiaalia henkeensä. (Esimerkkejä: verenvuodon hillitseminen tonsillektomian jälkeen sekä nenäverenvuodon hillitseminen).
- Verisuonikirurgiassa kääreenä käytettäessä on noudatettava erityistä varovaisuutta, ettei SURGICEL FIBRILLAR -hemostaattia applikoida liian tiukalle (katso haittavaikutuksia).

## Käyttöohjeet endoskopiatoimenpiteitä varten:

(Katso kuvia 1 ja 2 sivulla 04.)

*Figure 1.* SURGICEL FIBRILLAR -hemostaatti täytyy leikata sopivan kokoiseksi endoskoopitähystystä varten. Tavallisia endoskooppisia menetelmiä täytyy käyttää siihen asti kunnes imukykyinen hemostaatti applikoidaan. Ota kiinni SURGICEL FIBRILLAR -hemostaatin yhdestä kulmasta. Vedä materiaali tasaisella taaksepäinliikkeellä operointikanavaan kunnes materiaali on sisällä laparoskoopin päässä.

*Figure 2.A.* Aseta laparoskooppi takaisin potilaaseen holkien lävitse ja aseta skooppi aiotulle applikointialueelle. Työnnä tartuntainstrumentti ja materiaali hitaasti onteloon.

*Figure 2.B.* Käyttämällä tartuntainstrumenttia toisessa ja/tai kolmannessa aukossa materiaali voidaan kohdistaa ja laittaa paikalleen.

## Haittavaikutukset

- Nesteen kotoiloitumisesta ja vierasainereaktioista on tullut ilmoituksia.
- Ahtautumista on tullut ilmoituksia, kun SURGICEL FIBRILLAR -hemostaattia on käytetty kääreenä verisuonikirurgiassa. Vaikka ahtauman suoraa yhteyttä SURGICEL FIBRILLAR -hemostaatin käyttöön

ei ole voitu todistaa, on tärkeää noudattaa varovaisuutta ja välttää materiaalin applikointia tiukalle käytettäessä sitä kääreenä.

- Halvaatumisesta ja hermovaurioista on tullut ilmoituksia, kun SURGICEL FIBRILLAR -hemostaattia on käytetty luussa olevassa aukossa, luisella alueella, selkäytimessä ja/tai näköhermossa ja näköhermoristissä tai näiden ympärillä tai läheisyydessä. Vaikka useimmat näistä tapauksista ovat liittyneet laminektomiaan, on halvauksista tullut ilmoituksia myös muiden toimenpiteiden kohdalla. Sokeutumisesta on tullut ilmoituksia liittyen vasemman etulohkon laseraation korjausleikkaukseen, kun SURGICEL FIBRILLAR-hemostaatti on asetettu etummaiseen kallokuoppaan (katso varoituksia ja varotoimenpiteitä).
- Ilmoituksia on tullut mahdollisesta nesteen poistumisen viivästyisestä kolekystektomian jälkeen sekä virtsaamisvaikeuksista prostatektomian jälkeen. Yksi ilmoitus on tullut tukkeutuneesta virtsanjohtimesta munuaisen poistoleikkauksen jälkeen, missä käytettiin leikkauksen jälkeistä katetrontia.
- Ajoittain on tullut ilmoituksia "poltosta" ja "kivelystä" sekä aivastelusta, kun SURGICEL FIBRILLAR -hemostaattia on käytetty nenäverenvuodon tyrehtyttämiseen, näiden uskotaan johtuvan tuotteen alhaisesta pH-arvosta.
- Ilmoituksia poltosta on tullut, kun SURGICEL FIBRILLAR -hemostaattia on käytetty nenäpolyypin poiston sekä hemorroidektomian jälkeen. Päänsärkyä, polttoa, kivelyä sekä aivastelua nenäverenvuodon tyrehtyttämässä ja muissa rinologisissa toimenpiteissä. Ilmoituksia kivelystä on tullut myös, kun SURGICEL FIBRILLAR -hemostaattia on käytetty pintahaavoissa (varikoosiset haavaumat, dermabraasiot ja siirrealueet).

### **Annostus ja käyttötapa**

SURGICEL FIBRILLAR -hemostaatti otetaan pois steriilistä pakkauksestaan steriiliä menetelmää käyttäen. Mahdollisimman pieni määrä ja oikeaan kokoon leikattu SURGICEL FIBRILLAR -hemostaatti asetetaan verta vuotavaan kohtaan tai pidetään tiukasti kudosta vasten, kunnes verenvuoro tyrehtyy. Tarvittava määrä riippuu tyrehtytettävän verenvuodon laadusta ja määrästä. SURGICEL FIBRILLAR -hemostaatin verta tyrehtyttävä vaikutus on erityisen hyvä, kun sitä käytetään kuivana. Materiaalin kostuttaminen vedellä tai suolaliuoksella ei ole suositeltavaa.

### **Säilytys ja kesto aika**

SURGICEL FIBRILLAR -hemostaattia säilytetään kuivissa ja kontrolloiduissa olosuhteissa (15°C-30°C). Se täytyy suojata suoralta auringonvalolta alkuperäisessä pakkauksessaan.

Ei saa käyttää, jos yksittäispakkaus on vahingoittunut tai avattu. Ei saa steriloida uudelleen. Toimitettua SURGICEL FIBRILLAR -hemostaattia on saatavana steriilinä alkuperäispakkauksena eri kokoluokissa. Tuotteen viimeinen käyttöpäiväys on merkitty pakkaukseen. SURGICEL FIBRILLAR -hemostaattia ei saa käyttää tämän päiväyksen jälkeen.

## **DK** Beskrivelse

SURGICEL® FIBRILLAR resorberbart hæmostat er et sterilt resorberbart, fibrøst materiale præpareret ved kontrolleret oxidering af regenereret cellulose. Dette materiale er hvidt med en let gul bandage og har en let duft af karamel. Det er stærkt og kan sutureres eller klippes i uden at trevle. Det er stabilt og bør opbevares ved en kontrolleret stuetemperatur. Der kan opstå en let misfarvning med tiden, men det har ingen effekt på ydelsen.

Produktets fibrillære form giver kirurgen mulighed for at gribe en hvilken som helst mængde SURGICEL FIBRILLAR hæmostat, der behøves, med en pincet for at opnå hæmostase på et særligt blødende sted. Dette gør det praktisk til blødende steder, der er svære at nå eller har en uregelmæssig facon. Selvom det er nemt at trække den ønskede mængde SURGICEL FIBRILLAR hæmostat ud af hele portionen, vil gruppen af valgte fibre fortsat kohære med hinanden, og være nemt at påføre det blødende sted. Uønsket spredning over operationsstedet opstår ikke.

## **Virkning**

Den virkningsmekanisme, hvorved SURGICEL FIBRILLAR hæmostat accelererer størkning, er ikke helt klar, men det ser ud til at være en fysisk effekt fremfor en ændring af den normale fysiologiske størkningsmekanisme. Når SURGICEL FIBRILLAR hæmostat mættes med blod, svulmer det op til en brun eller sort gelatinøs masse, som hjælper med størkning og derved fungerer som et hæmostatisk supplement til kontrol med lokal hemorragi. Når det anvendes korrekt i minimale mængder resorberes SURGICEL FIBRILLAR hæmostat fra implantationsstederne med næsten ingen vævsreaktion. Resorption afhænger af adskillige faktorer inklusive den anvendte mængde, blodmætningsgraden samt vævsbasis.

Foruden de lokale hæmostatiske egenskaber er SURGICEL FIBRILLAR hæmostat bactericid *in vitro* mod et bredt udsnit af grampositive og gramnegative organismer inklusive aërober og anærober. SURGICEL FIBRILLAR hæmostat er bactericid *in vitro* mod stammer af arter inklusive:

|  |                                |
|--|--------------------------------|
| <i>Staphylococcus aureus</i>                                   | <i>Bacillus subtilis</i>       |
| <i>Staphylococcus epidermidis</i>                              | <i>Proteus vulgaris</i>        |
| <i>Micrococcus luteus</i>                                      | <i>Corynebacterium xerosis</i> |
| <i>Streptococcus pyogenes</i> Gruppe A                         | <i>Mycobacterium phlei</i>     |
| <i>Streptococcus pyogenes</i> Gruppe B                         | <i>Clostridium tetani</i>      |
| <i>Streptococcus salivarius</i>                                | <i>Clostridium perfringens</i> |
| <i>Branhamella catarrhalis</i>                                 | <i>Bacteroides fragilis</i>    |
| <i>Escherichia coli</i>  | <i>Enterococcus</i>            |
| <i>Klebsiella aerogenes</i>                                    | <i>Enterobacter cloacae</i>    |
| <i>Lactobacillus</i> sp.                                       | <i>Pseudomonas aeruginosa</i>  |
| <i>Salmonella enteritidis</i>                                  | <i>Pseudomonas stutzeri</i>    |
| <i>Shigella dysenteriae</i>                                    | <i>Proteus mirabilis</i>       |
| <i>Serratia marcescens</i>                                     |                                |
| methicillin-resistent <i>Staphylococcus aureus</i> (MRSA)      |                                |
| penicillin-resistent <i>Streptococcus pneumoniae</i> (PRSP)    |                                |
| vancomycin-resistent <i>Enterococcus</i> (VRE)                 |                                |
| methicillin-resistent <i>Staphylococcus epidermidis</i> (MRSE) |                                |

Forsøg udført på dyr viser, at SURGICEL FIBRILLAR hæmostat i modsætning til andre hæmostatiske midler ikke forstærker eksperimentel infektion. SURGICEL FIBRILLAR hæmostat er dog ikke et alternativ til systemisk påførte terapeutiske eller profylaktiske antimikrobielle midler.

SURGICEL FIBRILLAR hæmostat kan bruges i mange operationssteder, f.eks. kardiovaskulær kirurgi, hæmorroidektomi, implantation af vaskulære proteser, biopsier, lungoperationer, kirurgi i ansigtet eller på kæben, gastrisk resektion, operationer i halsen eller næsen, lever- og galdeblæreoperationer, gynækologiske operationer, torakiske og abdominale sympatectomier, neurokirurgi, især cerebraloperationer, thyroideoperationer, hudtransplantationer, behandling af overfladiske læsioner.

## **Indikationer**

SURGICEL FIBRILLAR hæmostat anvendes som supplement i kirurgiske indgreb med henblik på at hjælpe med kontrol med kapillær, venøs og lille arteriehemorragi, når ligation eller andre konventionelle kontrolmetoder er upraktiske eller ineffektive. SURGICEL FIBRILLAR hæmostat kan tilklibes til brug i endoskopiske procedurer.

## **Kontraindikationer**

- Selv om pakning eller vattering sommetider er medicinsk nødvendigt, bør SURGICEL FIBRILLAR hæmostat ikke anvendes på denne måde, med mindre den skal fjernes, efter at der er opnået hæmostase. (Se Advarsler og forsigtighedsregler).
- SURGICEL FIBRILLAR hæmostat bør ikke anvendes til implantation i knoglededefekter, som f.eks. frakturer, da der er risiko for indvirkning med kallusdannelse og en teoretisk risiko for cystedannelse.
- Når SURGICEL FIBRILLAR hæmostat anvendes til at hjælpe med at opnå hæmostase i, omkring eller i nærheden af åbninger i knogle, områder omkranset af knogle, rygsøjlen og/eller den optiske nerve og chiasma, skal det altid fjernes, når der er opnået hæmostase, da det svulmer op og således kan udøve et uønsket tryk.
- SURGICEL FIBRILLAR hæmostat bør ikke anvendes til at kontrollere hemorragi fra store arterier.
- SURGICEL FIBRILLAR hæmostat bør ikke anvendes på ikke-hemorragiske serøse, sivende overflader, da andre kropsvæsker end fuldblod, som f.eks. serum, ikke reagerer med SURGICEL FIBRILLAR



hæmostat om at frembringe en tilfredsstillende hæmostatisk effekt.

- SURGICEL FIBRILLAR hæmostat bør ikke anvendes som et adhæsiønsforebyggende middel.

## Advarsler

- SURGICEL FIBRILLAR hæmostat leveres sterilt, og da materialet ikke er foreneligt med autoklavering eller etylenoxidsterilisering, bør SURGICEL FIBRILLAR hæmostat ikke resteriliseres.
- SURGICEL FIBRILLAR hæmostat er ikke beregnet til at erstatte forsigtig kirurgi og den korrekte brug af suturer og ligaturer.
- Hvis SURGICEL FIBRILLAR hæmostat lukkes inde i et forurenede sår uden dræn kan det føre til komplikationer, og dette bør derfor undgås.
- SURGICEL FIBRILLAR hæmostats hæmostatiske effekt er større, når det påføres tørt, hvorfor bør det ikke bør fugtes med vand eller saltvand.
- SURGICEL FIBRILLAR hæmostat bør ikke imprægneres med antiinfektionsmidler eller med andre materialer som f.eks. buffer- eller hæmostatiske stoffer. Den hæmostatiske effekt forbedres ikke ved tilføjelse af thrombin, da dennes aktivitet destrueres af produktets lave pH-værdi.
- Selv om SURGICEL FIBRILLAR hæmostat kan blive siddende *in situ* om nødvendigt, tilrådes det at fjerne det, når der er opnået hæmostase. Det skal **altid** fjernes fra påføringsstedet, når det anvendes i, omkring eller i nærheden af åbninger i knogle, områder omkranset af knogle, rygsøjlen og/eller den optiske nerve og chiasma uanset typen af kirurgiske indgreb, da SURGICEL FIBRILLAR hæmostat, ved opsvulmning kan udøve et tryk som kan medføre lammelse og/eller nerveskade. Forskydning af SURGICEL FIBRILLAR hæmostat kan evt. opstå i tilfælde af ompakning, yderligere peroperativ manipulation, lavage, overdreven respiration osv. Der har været rapporter om, at SURGICEL FIBRILLAR hæmostat i indgreb som f.eks. lobektomi, laminektomi samt reparation af et frontalt kraniebrud og dilacereret lobus, migrerer fra påføringsstedet, når det efterlades i patienten efter lukning, og ind i åbninger i knogle omkring rygsøjlen, hvilket medfører lammelse og i andre tilfælde den venstre øjenhule, hvilket medfører blindhed. Selv om disse rapporter ikke kan bekræftes, skal lægen udvise ekstra omhu, **uanset typen af kirurgiske indgreb**, i deres overvejelser af rådet om at fjerne SURGICEL FIBRILLAR hæmostat efter at der er opnået hæmostase.
- Selv om SURGICEL FIBRILLAR hæmostat er bactericid mod et bredt udsnit af patogene mikroorganismer, det er ikke beregnet til at erstatte systemisk påførte terapeutiske eller profylaktiske antimikrobielle midler med henblik på at kontrollere eller forebygge postoperative infektioner.

## Forsigtighedsregler

- Brug så lidt SURGICEL FIBRILLAR hæmostat som nødvendigt for hæmostase, og hold det sikkert på plads, indtil blødning ophører. Fjern evt. overskud før kirurgisk lukning med henblik på at lette resorption og minimere risikoen for reaktion på fremmedlegemet.
- I urologiske indgreb, bør der kun anvendes minimale mængder SURGICEL FIBRILLAR hæmostat, og der skal udøves forsigtighed for at forebygge tilstopning af urethra, uretre eller et kateter som følge af forskydning af dele af produktet.
- Da resorption af SURGICEL FIBRILLAR hæmostat kan forhindres i kemisk ætsede områder, bør det ikke anvendes efter påføring af sølvnitrat eller andre ætsende kemiske stoffer.
- Hvis SURGICEL FIBRILLAR hæmostat anvendes midlertidigt til foring af hulrummet i store åbne sår, skal det placeres, så det ikke overlapper hudkanterne. Det skal ligeledes fjernes fra åbne sår med pincet eller ved skylning med destilleret vand eller saltvandsopløsning, når blødning er ophørt.
- Der bør tages forholdsregler i næse-, øre- og halskirurgi for at sikre, at intet af materialet indåndes af patienten. (Eksempler: kontrol med hemorragi efter tonsillektomi og kontrol med epistaxis).
- Der skal udvises forsigtighed med hensyn til ikke at påføre SURGICEL FIBRILLAR hæmostat for stramt, når det anvendes som omslag ved vaskulær kirurgi (se Bivirkninger).

## Brugsanvisning for anvendelse i endoskopiske procedurer:

(se figur 1 og 2 på side 04).

*Figure 1. SURGICEL FIBRILLAR hæmostat bør klippes til den rette størrelse for endoskopisk placering. Der bør anvendes standard endoskopiske procedurer op til tidspunktet for placering af det resorberbare hæmostat. Grib SURGICEL FIBRILLAR hæmostat i det ene hjørne. Med en støt bagudbevægelse trækkes materialet ind i operationskanalen, indtil materialet indkapsles i enden af laparoskopet.*

*Figure 2.A. Læg laparoskopet tilbage i patienten gennem manchetten og repositioner laparoskopet over det ønskede påføringsområde. Skub langsomt gribeinstrumentet og materialet ind i hulrummet.*

*Figure 2.B. Når der bruges gribeinstrumenter i et andet og/eller tredje hjælpested, kan placering foretages og materialet lægges på plads.*

## Bivirkninger

- "Indkapsling" af væske og reaktioner mod fremmedlegemer er blevet rapporteret.
- Der har været rapporter om stenotisk effekt, når SURGICEL FIBRILLAR hæmostat er blevet påført som et omslag ved vaskulær kirurgi. Selv om det ikke er blevet fastslået, at stenosen var direkte tilknyttet brugen af SURGICEL FIBRILLAR hæmostat, er det vigtigt at være forsigtig og undgå at lægge materialet stramt ligesom et omslag.
- Lammelse og nerveskade er blevet rapporteret, hvor SURGICEL FIBRILLAR hæmostat blev anvendt i, omkring eller i nærheden af åbninger i knogle, områder omkranset af knogle, rygsøjlen og/eller den optiske nerve og chiasma. Selv om de fleste af disse rapporter har været i forbindelse med laminektomi, er der ligeledes modtaget rapporter om lammelse i forbindelse med andre indgreb. Blindhed er blevet

rapporteret i forbindelse med kirurgisk reparation af dilacereret venstre frontallobus, hvor SURGICEL FIBRILLAR hæmostat blev placeret i den anteriore kraniefossa (se Advarsler og forsigtighedsregler).

- Mulig forlængelse af dræning i kolecystektomier og vanskelig vandledning gennem urethra efter prostektomi er blevet rapporteret. Der har været en rapport om blokeret ureter efter nyreresektion, hvor postoperativ kateterisering var påkrævet.
- Lejlighedsvis rapporter om "brændende" eller "stikkende" fornemmelser samt nysen, når SURGICEL FIBRILLAR hæmostat er blevet anvendt som pakning ved epistaxis, menes at skyldes produktets lave pH-værdi.
- Brændenden fornemmelser er blevet rapporteret, hvor SURGICEL FIBRILLAR hæmostat blev påført efter fjernelse af polypper i næsen samt efter hæmorroidektomi. Hovedpine, en brændende fornemmelse, stikken og nysen i epistaxis og andre næseprocedurer. Der er ligeledes indgået rapporter om stikken, hvor SURGICEL FIBRILLAR hæmostat blev påført overfladesår (varikøse ulcerationer, dermabrasioner og donorsteder).

### **Dosis og anvendelse**

Der skal anvendes sterile metoder til at fjerne SURGICEL FIBRILLAR hæmostat fra den sterile beholder. Minimale mængder SURGICEL FIBRILLAR hæmostat i den rette størrelse lægges på det blødende sted eller holdes sikkert på plads mod vævet, indtil der er opnået hæmostase.

Hvor meget der er brug for afhænger af hæmorragiens art og intensitet. SURGICEL FIBRILLAR hæmostats hæmostatiske effekt er særlig udtalt, når det anvendes tørt. Fugtning af materialet med vand eller fysiologisk saltvandsopløsning kan ikke anbefales.

### **Opbevaring og holdbarhed**

SURGICEL FIBRILLAR hæmostat skal opbevares tørt under kontrollerede forhold (15°C-30°C) og beskyttes mod direkte sollys i den originale emballage.

Må ikke anvendes, hvis de enkelte pakker er beskadigede/åbnede. Må ikke resteriliseres. Den leverede SURGICEL FIBRILLAR hæmostat kan fås steril som originalpakke i forskellige størrelser.

Datoen for seneste anvendelse af dette produkt er trykt på emballagen. SURGICEL FIBRILLAR hæmostat må ikke bruges efter denne dato.

## **GR** Περιγραφή

Το Απορροφήσιμο Αιμοστατικό SURGICEL® FIBRILLAR είναι ένα στείρο απορροφήσιμο ινώδες υλικό επεξεργασμένο με ελεγχόμενη οξειδωση αναγεννηθείσας κυτταρίνης. Το υλικό είναι λευκό με αχνοκίτρινη απόχρωση και έχει λεπτό σαν καραμέλα άρωμα. Είναι ανθεκτικό και μπορεί να συρραφεί ή να κοπεί χωρίς να ξεφτίσει. Είναι σταθερό και πρέπει να φυλάσσεται σε ελεγχόμενη θερμοκρασία δωματίου. Το χρώμα του μπορεί να αλλοιωθεί ελαφρά μετά από κάποιο διάστημα, χωρίς αυτό να επηρεάζει την απόδοσή του.

Η ινώδης μορφή του προϊόντος επιτρέπει στο χειρουργό να πάρει με τη λαβίδα όση ποσότητα Αιμοστατικού SURGICEL FIBRILLAR απαιτείται ώστε να επιτευχθεί αιμόσταση συγκεκριμένης αιμορραγίας. Η δυνατότητα αυτή είναι πρακτική για αιμορραγικές περιοχές ή πρόσβαση στις οποίες είναι δύσκολη ή έχουν ιδιόμορφο σχήμα. Παρότι είναι εύκολο να ληφθεί η επιθυμητή ποσότητα Αιμοστατικού SURGICEL FIBRILLAR από τη συνολική ποσότητα του προϊόντος, οι ίνες της επεξεργασίας ποσότητας εξακολουθούν να παραμένουν συσπυκνωμένες μεταξύ τους και έτσι η εφαρμογή τους στην αιμορραγική περιοχή ελέγχεται εύκολα. Επιπλέον δεν υπάρχει κίνδυνος ανεπιθύμητου διασκορπισμού τους στην περιοχή της επέμβασης.

## **Δράση**

Ο μηχανισμός δράσης με τον οποίο το Αιμοστατικό SURGICEL FIBRILLAR επιταχύνει το σχηματισμό θρόμβου δεν είναι απολύτως σαφής, αλλά φαίνεται να είναι περισσότερο ένα φυσικό αποτέλεσμα παρά κάποια μετατροπή του φυσιολογικού μηχανισμού σχηματισμού θρόμβου. Όταν το Αιμοστατικό SURGICEL FIBRILLAR κορσεται με αίμα, διογκώνεται και σχηματίζει μια καφεοειδή ή μαύρη πηκτοειδή μάζα η οποία υποβροθεί το σχηματισμό θρόμβου χρησιμοποιώντας έτσι ως πρόσθετο αιμοστατικό για τον έλεγχο τοπικής αιμορραγίας. Εάν χρησιμοποιείται σωστά σε μικρές ποσότητες, το Αιμοστατικό SURGICEL FIBRILLAR απορροφάται από τα σημεία εμφύτευσης χωρίς πρακτικά να προκαλεί καμία ιστική αντίδραση. Ο βαθμός απορρόφησης εξαρτάται από διάφορους παράγοντες, μεταξύ άλλων από την ποσότητα που χρησιμοποιήθηκε, το βαθμό κορεσμού με αίμα και το ιστικό υπόστρωμα.

Εκτός από τις τοπικές αιμοστατικές του ιδιότητες, το Αιμοστατικό SURGICEL FIBRILLAR έχει βακτηριοκτόνο δράση *in vitro* εναντίον ενός ευρέος φάσματος gram θετικών και gram αρνητικών μικροοργανισμών, συμπεριλαμβανομένων αερόβιων και αναερόβιων. Το Αιμοστατικό SURGICEL FIBRILLAR έχει βακτηριοκτόνο δράση *in vitro* εναντίον στελεχών διαφόρων ειδών όπως:

*Staphylococcus aureus*

*Staphylococcus epidermidis*

*Micrococcus luteus*

*Streptococcus pyogenes* Group A

*Streptococcus pyogenes* Group B

*Streptococcus salivarius*

*Branhamella catarrhalis*

*Escherichia coli*

*Klebsiella aerogenes*

*Lactobacillus* sp.

*Salmonella enteritidis*

*Shigella dysenteriae*

*Serratia marcescens*

*Staphylococcus aureus* ανθεκτικός στη μεθικιλίνη (MRSA)

*Streptococcus pneumoniae* ανθεκτικός στην πενικιλίνη (PRSP)

*Enterococcus* ανθεκτικός στη βανκομικίνη (VRE)

*Staphylococcus aureus* ανθεκτικός στη μεθικιλίνη (MRSA)

*Bacillus subtilis*

*Proteus vulgaris*

*Corynebacterium xerosis*

*Mycobacterium phlei*

*Clostridium tetani*

*Clostridium perfringens*

*Bacteroides fragilis*

*Enterococcus*

*Enterobacter cloacae*

*Pseudomonas aeruginosa*

*Pseudomonas stutzeri*

*Proteus mirabilis*

Μελέτες που διεξήχθησαν σε πειραματόζωα έδειξαν ότι το Αιμοστατικό SURGICEL FIBRILLAR σε αντίθεση με άλλους αιμοστατικούς παράγοντες δεν ενισχύει την εμφάνιση πειραματικής λοίμωξης. Ωστόσο, το Αιμοστατικό SURGICEL FIBRILLAR δεν μπορεί να υποκαταστήσει τη συστηματική χορήγηση θεραπευτικών ή προφυλακτικών αντιμικροβιακών παραγόντων.

Το Αιμοστατικό SURGICEL FIBRILLAR μπορεί να χρησιμοποιηθεί σε πολλές χειρουργικές επεμβάσεις, π.χ. καρδιαγγειακές επεμβάσεις, αιμορροϊδεκτομές, εμφύτευση αγγειακών προσθέσεων, βιοψίες, εγχειρήσεις στους πνεύμονες, επεμβάσεις στο πρόσωπο και στη γνάθο, γαστρεκτομή, εγχειρήσεις στο λαϊμό ή στη μύτη, στο σκύτι και τη χολή, γυναικολογικές εγχειρήσεις, θωρακικές και κοιλιακές συμπαθεκτομές, νευροχειρουργικές επεμβάσεις, ιδιαίτερα εγχειρήσεις εγκεφάλου, εγχειρήσεις θυρεοειδούς, μεταμοσχεύσεις δέρματος, αντιμετώπιση επιφανειακών τραυμάτων.

## **Ενδείξεις**

Το Αιμοστατικό SURGICEL FIBRILLAR χρησιμοποιείται συμπληρωματικά στο πλαίσιο χειρουργικών επεμβάσεων για να διευκολύνει τον έλεγχο αιμορραγίας τριχοειδών, φλεβιδίων και μικρών αρτηριδίων όταν δεν είναι αποτελεσματικός ή πρακτικά εφικτός με απολίνωση ή με άλλες συμβατικές μεθόδους. Το Αιμοστατικό SURGICEL FIBRILLAR μπορεί να κοπεί στο επιθυμητό μέγεθος για χρήση σε ενδοσκοπικές επεμβάσεις.

## **Αντενδείξεις**

- Παρά το γεγονός ότι ο επιπωματισμός ή η χρήση βύσματος ενδείκνυται σε ορισμένες ιατρικές επεμβάσεις, το Αιμοστατικό SURGICEL FIBRILLAR δεν πρέπει να χρησιμοποιείται

με αυτό τον τρόπο, εκτός εάν αφαιρεθεί μετά την επίτευξη αιμόστασης. (Βλ. Προειδοποιήσεις και Προφυλάξεις).

- Το Αιμοστατικό SURGICEL FIBRILLAR δεν πρέπει να χρησιμοποιείται για εμφύτευση σε οστικά ελλείμματα, όπως σε κατάγματα, εφόσον υπάρχει πιθανότητα να επηρεάσει το σχηματισμό πύρου και θεωρητικά πιθανότητα σχηματισμού κύστης.
- Εάν το Αιμοστατικό SURGICEL FIBRILLAR χρησιμοποιηθεί για τη διευκόλυνση της επίτευξης αιμόστασης εντός, περί ή πλησίον οστικών τρημάτων, περιοχών που περιβάλλονται από οστικό ιστό, της σπονδυλικής στήλης και/ή του οπτικού νεύρου και του οπτικού χιάσματος, πρέπει να αφαιρείται μετά την επίτευξη αιμόστασης εφόσον διαστέλλεται και μπορεί να ασκήσει ανεπιθύμητη πίεση.
- Το Αιμοστατικό SURGICEL FIBRILLAR δεν πρέπει να χρησιμοποιείται για έλεγχο αιμορραγίας σε μεγάλες αρτηρίες.
- Το Αιμοστατικό SURGICEL FIBRILLAR δεν πρέπει να χρησιμοποιείται σε επιφάνειες με μη αιμορραγική ορόρροια, επειδή τα λοιπά σωματικά υγρά εκτός του ολικού αίματος, όπως ο ορός του αίματος, δεν αντιδρούν με το Αιμοστατικό SURGICEL FIBRILLAR ώστε να διασφαλιστεί ικανοποιητική αιμοστατική δράση.
- Το Αιμοστατικό SURGICEL FIBRILLAR δεν πρέπει να χρησιμοποιείται ως μέσο προληπτικό της δημιουργίας συμφύσεων.

## Προειδοποιήσεις

- Το Αιμοστατικό SURGICEL FIBRILLAR διατίθεται αποστειρωμένο και δεν πρέπει να επαναποστειρώνεται επειδή το υλικό δεν είναι συμβατό με αποστείρωση σε αυτόκαυστο ή αποστείρωση με οξειδίο του αιθυλενίου.
- Το Αιμοστατικό SURGICEL FIBRILLAR δεν μπορεί να υποκαταστήσει την προσεκτική χειρουργική επέμβαση και την ορθή χρήση ραμμάτων και απολινώσεων.
- Ο εγκλεισμός του Αιμοστατικού SURGICEL FIBRILLAR σε μολυσμένο τραύμα χωρίς παροχέτευση μπορεί να οδηγήσει σε επιπλοκές και πρέπει να αποφεύγεται.
- Η αιμοστατική δράση του SURGICEL FIBRILLAR είναι μεγαλύτερη όταν εφαρμόζεται στεγνό. Συνεπώς δεν πρέπει να υγραίνεται με νερό ή φυσιολογικό ορό.
- Το Αιμοστατικό SURGICEL FIBRILLAR δεν πρέπει να διαποτίζεται με αντιμικροβιακούς παράγοντες ή με άλλα υλικά όπως ρυθμιστικά διαλύματα ή αιμοστατικές ουσίες. Η αιμοστατική του δράση δεν ενισχύεται με την προσθήκη θρομβίνης της οποίας η δράση καταστρέφεται από το χαμηλό pH του προϊόντος.
- Παρά το γεγονός ότι το Αιμοστατικό SURGICEL FIBRILLAR μπορεί να παραμείνει *in situ* εάν αυτό κρίνεται αναγκαίο, συνιστάται η αφαίρεσή του μόλις επιτευχθεί αιμόσταση. Εάν το Αιμοστατικό SURGICEL FIBRILLAR χρησιμοποιηθεί επί, περί ή πλησίον οστικών τρημάτων, περιοχών που περιβάλλονται από οστικό ιστό, της σπονδυλικής στήλης και/ή του οπτικού νεύρου και του οπτικού χιάσματος ανεξάρτητα από το είδος της χειρουργικής επέμβασης πρέπει **πάντα** να αφαιρείται από το σημείο εφαρμογής επειδή, λόγω της διαστολής του, μπορεί να ασκήσει πίεση με αποτέλεσμα παράλυση και/ή νευρική βλάβη. Το Αιμοστατικό SURGICEL FIBRILLAR ενδέχεται να απομακρυνθεί από τη θέση του λόγω επαναληπτικού επιπωματισμού, περαιτέρω διεγχειρητικών χειρισμών, πλύσης, εργώδους αναπνοής κ.λπ. Έχει αναφερθεί ότι σε επεμβάσεις όπως λοβεκτομή, πεταλεκτομή και αποκατάσταση μετωπιαίου κρανιακού κατάγματος και ρήξης λοβού το Αιμοστατικό SURGICEL FIBRILLAR, σε περιπτώσεις που είχε παραμείνει στον ασθενή μετά το κλείσιμο της τομής, μετατοπίστηκε από το σημείο εφαρμογής σε οστικά τρήματα γύρω από τη σπονδυλική στήλη προκαλώντας παράλυση και, σε άλλο περιστατικό, στον αριστερό οφθαλμικό κόγχο προκαλώντας τύφλωση. Παρόλο που τα περιστατικά αυτά δεν είναι δυνατόν να επιβεβαιωθούν, οι γιατροί πρέπει να δίνουν ιδιαίτερη προσοχή, **ανεξάρτητα από το είδος της χειρουργικής επέμβασης**, και να εξετάζουν τη δυνατότητα αφαίρεσης του Αιμοστατικού SURGICEL FIBRILLAR μετά την επίτευξη αιμόστασης.
- Παρά το γεγονός ότι το Αιμοστατικό SURGICEL FIBRILLAR έχει βακτηριδιακή δράση εναντίον ενός ευρέος φάσματος παθογόνων μικροοργανισμών, δεν μπορεί να υποκαταστήσει τη συστηματική χορήγηση θεραπευτικών ή προφυλακτικών αντιμικροβιακών παραγόντων για τον έλεγχο ή την αποτροπή μετεγχειρητικών μολύνσεων.

## Προφυλάξεις

- Χρησιμοποιείτε μόνο την απαραίτητη ποσότητα Αιμοστατικού SURGICEL FIBRILLAR για την επίτευξη αιμόστασης, κρατώντας το σφίχτα στη θέση του έως ότου σταματήσει η αιμορραγία. Αφαιρέστε τυχόν πλεονάζουσα ποσότητα πριν από το κλείσιμο της χειρουργικής τομής ώστε να διευκολυνθεί η απορρόφηση και να ελαχιστοποιηθεί η πιθανότητα αντίδρασης σε ξένο σώμα.
- Σε ουρολογικές επεμβάσεις το Αιμοστατικό SURGICEL FIBRILLAR πρέπει να χρησιμοποιείται σε ελάχιστες ποσότητες και να δίνεται προσοχή ώστε να αποτραπεί απόφραξη της ουρήθρας, του ουρητήρα ή του καθετήρα λόγω μετατόπισης τμήματος του προϊόντος.
- Επειδή το Αιμοστατικό SURGICEL FIBRILLAR ενδέχεται να μην απορροφηθεί σε περιοχές που έχουν υποστεί χημικό καυτηριασμό, πριν από τη χρήση του δεν πρέπει να εφαρμόζεται νιτρικός άργυρος ή οποιοδήποτε άλλο χημικό υλικό που δημιουργεί εσχάρα.
- Εάν το Αιμοστατικό SURGICEL FIBRILLAR χρησιμοποιηθεί προσωρινά για να υπαλείψει την κοιλότητα μεγάλων ανοιχτών τραυμάτων, πρέπει να τοποθετείται με τέτοιο τρόπο ώστε να μην επικαλύπτονται τα τραυματικά χείλη. Όταν σταματήσει η αιμορραγία, πρέπει να αφαιρείται από ανοιχτά τραύματα με λαβίδα ή με καταιονισμό με στείρο νερό ή φυσιολογικό νερό.
- Σε ωτορινολαρυγγικές επεμβάσεις, πρέπει να λαμβάνονται προφυλάξεις ώστε να αποκλεισθεί το ενδεχόμενο εισπνοής του υλικού από τον ασθενή. (Παραδείγματα: έλεγχος αιμορραγίας

μετά από αμυγδαλεκτομή και έλεγχος επίσταξης).

- Όταν το Αιμοστατικό SURGICEL FIBRILLAR χρησιμοποιείται ως περιτύλιξη σε αγγειακές επεμβάσεις, φροντίστε να μην εφαρμόζεται πολύ σφιχτά (βλ. Ανεπιθύμητες ενέργειες).

## Οδηγίες χρήσης σε ενδοσκοπικές επεμβάσεις:

(βλ. εικόνες 1 και 2 στη σελ. 04).

*Figure 1.* Το Αιμοστατικό SURGICEL FIBRILLAR πρέπει να κοπεί στο κατάλληλο μέγεθος για να τοποθετηθεί ενδοσκοπικά. Μέχρι την τοποθέτηση του απορροφήσιμου αιμοστατικού πρέπει να ακολουθούνται οι συνήθειες ενδοσκοπικές διαδικασίες. Πιάστε τη μία άκρη του Αιμοστατικού SURGICEL FIBRILLAR. Με σταθερή προς τα πίσω κίνηση, τραβήξτε το υλικό στον αυλό εργαλείων έως ότου το υλικό εισαχθεί στο άκρο του λαπαροσκοπίου.

*Figure 2.A.* Εισαγάγετε πάλι το λαπαροσκόπιο στον ασθενή μέσω του περιβλήματος και επανατοποθετήστε το στην επιθυμητή περιοχή εφαρμογής. Σπρώξτε αργά τη λαβίδα και το υλικό μέσα στην κοιλότητα.

*Figure 2.B.* Η τοποθέτηση του υλικού στη θέση του μπορεί να γίνει με λαβίδες από ένα δεύτερο καυή τρίτο βοηθητικό σημείο.

## Ανεπιθύμητες ενέργειες

- Έχουν αναφερθεί 'ενθυλάκωση' υγρού και αντίδραση σε ξένο σώμα.
- Έχουν αναφερθεί περιστατικά εμφάνισης στένωσης, από τη χρήση του Αιμοστατικού SURGICEL FIBRILLAR ως περιτύλιξη κατά τη διάρκεια αγγειακής επέμβασης. Παρόλο που δεν έχει αποδειχθεί ότι η εμφάνιση της στένωσης συνδέεται άμεσα με τη χρήση του Αιμοστατικού SURGICEL FIBRILLAR είναι σημαντικό να είστε προσεκτικοί και να αποφεύγετε να εφαρμόσετε το υλικό σφιχτά όταν αυτό χρησιμοποιείται ως περιτύλιξη.
- Έχουν αναφερθεί περιστατικά παράλυσης και νευρικής βλάβης από τη χρήση του Αιμοστατικού SURGICEL FIBRILLAR επί, περί ή πλησίον οστικών τρημάτων, περιοχών που περιβάλλονται από οστικό ιστό, της σπονδυλικής στήλης και ή του οπτικού νεύρου και του οπτικού χιάσματος. Παρόλο που τα περισσότερα από αυτά τα περιστατικά συνδέονται με επεμβάσεις πεταλεκτομίας, περιστατικά παράλυσης έχουν αναφερθεί και σε άλλες επεμβάσεις. Έχει αναφερθεί περιστατικό τύφλωσης μετά από χειρουργική αποκατάσταση ρήξης του αριστερού μετωπιαίου λοβού κατά την οποία το Αιμοστατικό SURGICEL FIBRILLAR τοποθετήθηκε στον πρόσθιο κρανιακό βόθρο.
- Έχει αναφερθεί πιθανή παράταση της ανάγκης παροχέτευσης σε χολοκυστεκτομές και δυσχέρεια διέλευσης των ούρων από την ουρήθρα μετά από προστατεκτομή. Έχει αναφερθεί ένα περιστατικό απόφραξης ουρητήρα μετά από νεφρεκτομή, στο οποίο κρίθηκε απαραίτητος μετεγχειρητικός καθετηριασμός.
- Τα σπάνια περιστατικά στα οποία αναφέρεται αίσθημα "καύσου" και "τσούξιμο" καθώς και φτάρνισμα σε ασθενείς στους οποίους χρησιμοποιήθηκε το Αιμοστατικό SURGICEL FIBRILLAR ως υλικό επιπωματισμού για την αντιμετώπιση επίσταξης, πιστεύεται ότι οφείλονται στο χαμηλό pH του προϊόντος.
- Έχει αναφερθεί αίσθημα καύσου από εφαρμογή του Αιμοστατικού SURGICEL FIBRILLAR μετά από αφαίρεση ρινικού πολύποδα καθώς και μετά από αιμορροϊδεκτομή. Έχουν αναφερθεί πονοκέφαλος, αίσθημα καύσου, τσούξιμο και φτάρνισμα σε επεμβάσεις επίσταξης και άλλες ρινολογικές επεμβάσεις. Έχει αναφερθεί τσούξιμο από εφαρμογή του Αιμοστατικού SURGICEL FIBRILLAR σε επιφανειακά τραύματα (έλκη κισών, δερμοαποξέσεις και δότριες περιοχές).

## Δοσολογία και εφαρμογή

Ακολουθείτε άσηπτη τεχνική κατά την αφαίρεση του Αιμοστατικού SURGICEL FIBRILLAR από το στείρο περιέκτη του. Τοποθετήστε ελάχιστη ποσότητα Αιμοστατικού SURGICEL FIBRILLAR στο κατάλληλο μέγεθος πάνω στο σημείο αιμορραγίας ή κρατήστε το σφιχτά πάνω στους ιστούς έως ότου επιτευχθεί αιμόσταση.

Η απαιτούμενη ποσότητα εξαρτάται από τη φύση και την ένταση της αιμορραγίας. Η αιμοστατική δράση του Αιμοστατικού SURGICEL FIBRILLAR είναι ιδιαίτερα αποτελεσματική όταν χρησιμοποιείται στεγνό. Δεν συνιστάται η ύγρανση του υλικού με νερό ή φυσιολογικό ορό.

## Φύλαξη και διάρκεια ζωής

Το Αιμοστατικό SURGICEL FIBRILLAR πρέπει να φυλάσσεται στεγνό στην αρχική του συσκευασία υπό ελεγχόμενες συνθήκες (15°C-25°C) και να προστατεύεται από άμεση έκθεση στο ηλιακό φως.

**Να μην χρησιμοποιείται εάν η συσκευασία έχει ανοιχθεί ή έχει υποστεί ζημιά. Να μην επαναποστεριώνεται. Το Αιμοστατικό SURGICEL FIBRILLAR παρέχεται αποστειρωμένο στην αρχική του συσκευασία και σε διάφορα μεγέθη.**

**Η ημερομηνία λήξης του προϊόντος αναγράφεται στη συσκευασία. Μην χρησιμοποιείτε το Αιμοστατικό SURGICEL FIBRILLAR εάν έχει παρέλθει αυτή η ημερομηνία.**

## **NO** Beskrivelse

SURGICEL® FIBRILLAR absorberbar hemostat er et sterilt absorberbart fibrøst materiale forberedt av den kontrollerte oksideringen av regenerert cellulose. Produktet er hvitt med en blek gul form og har en svak, karamelllignende aroma. Det er sterkt og kan sutureres eller kuttes uten frysing. Det er stabilt og skal lagres ved kontrollert romtemperatur. En lett misfarging kan oppstå med alder, men dette påvirker ikke ytelsen.

Fibrillarformen til produktet gjør at kirurgen kan gripe med tang den mengden SURGICEL FIBRILLAR hemostat som er nødvendig for å oppnå hemostase ved et bestemt blødningssted. Dette gjør det praktisk for blødningssteder som er vanskelig å nå eller har en uvanlig form. Selv om det er lett å trekke ut ønsket mengde SURGICEL FIBRILLAR hemostat fra hele forsyningen, fortsetter gruppen av valgte fibre å henge sammen, og applikasjon på blødningsstedet kontrolleres lett. Uønsket spredning over operasjonsstedet oppstår ikke.

## Handlinger

Handlingsmekanismen der SURGICEL FIBRILLAR hemostat akselererer koagulering forstås ikke fullstendig, men det ser ut til å være en fysisk effekt heller enn en endring av den normale fysiologiske koaguleringsmekanismen. Etter at SURGICEL FIBRILLAR hemostat har blitt mettet med blod, sveller det til en brunaktig eller svart gelatinaktig masse som hjelper til med formeringen av koagel, slik at det fungerer som en hemostatisk assistent i kontrollen av lokal blødning. Ved bruk på riktig måte i minimale mengder, absorberes SURGICEL FIBRILLAR hemostat fra implantatstedet praktisk talt uten vevreaksjon. Absorbering avhenger av flere faktorer inkludert mengden som brukes, metningsgraden med blod, samt vevsengen.

I tillegg til de lokale hemostatiske egenskapene er SURGICEL FIBRILLAR hemostat baktericidal *in vitro* mot en rekke gram positive og gram negative organismer, inkludert aerobe og anaerobe organismer. SURGICEL FIBRILLAR hemostat er baktericidal *in vitro* mot artstyper inkludert:

|  |                                |
|--|--------------------------------|
| <i>Staphylococcus aureus</i>           | <i>Bacillus subtilis</i>       |
| <i>Staphylococcus epidermidis</i>      | <i>Proteus vulgaris</i>        |
| <i>Micrococcus luteus</i>              | <i>Corynebacterium xerosis</i> |
| <i>Streptococcus pyogenes</i> gruppe A | <i>Mycobacterium phlei</i>     |
| <i>Streptococcus pyogenes</i> gruppe B | <i>Clostridium tetani</i>      |
| <i>Streptococcus salivarius</i>        | <i>Clostridium perfringens</i> |
| <i>Branhamella catarrhalis</i>         | <i>Bacteroides fragilis</i>    |
| <i>Escherichia coli</i>                | <i>Enterococcus</i>            |
| <i>Klebsiella aerogenes</i>            | <i>Enterobacter cloacae</i>    |
| <i>Lactobacillus</i> sp.               | <i>Pseudomonas aeruginosa</i>  |
| <i>Salmonella enteritidis</i>          | <i>Pseudomonas stutzeri</i>    |
| <i>Shigella dysenteriae</i>            | <i>Proteus mirabilis</i>       |
| <i>Serratia marcescens</i>             |                                |

methicillin-resistent *Staphylococcus aureus* (MRSA)  
penicillin-resistent *Streptococcus pneumoniae* (PRSP)  
vancomycin-resistent *Enterococcus* (VRE)  
methicillin-resistent *Staphylococcus epidermidis* (MRSE)

Studier som er gjennomført med dyr viser at SURGICEL FIBRILLAR hemostat i motsetning til andre hemostatisk midler ikke forbedrer eksperimentell infeksjon. SURGICEL FIBRILLAR hemostat er likevel ikke et alternativ til systematisk påførte terapeutiske eller profylaktiske antimikrobielle midler. SURGICEL FIBRILLAR hemostat kan brukes i mange kirurgiområder, f.eks. kardiovaskulær kirurgi, hemoroidektomi, implantering av vaskulære proteser, biopsier, lungeoperasjoner, kirurgi på ansikt og kjeve, gastrisk reseksjon, operasjoner på halsen eller nesen, lever og galleblæreoperasjoner, gynekologiske operasjoner, torakal og abdominal sympatektomier, nevrokirurgi, spesielt cerebrale operasjoner, tyreoid operasjoner, hudtransplantasjoner, samt behandling av overfladiske skader.

## Indikasjoner

SURGICEL FIBRILLAR hemostat brukes som supplement i kirurgiske prosedyrer for å hjelpe til med å kontrollere kapillære, venøse og små arterielle blødninger ved ligasjon eller andre konvensjonelle kontrollmetoder er upraktiske eller ineffektive. SURGICEL FIBRILLAR hemostat kan kuttes til ønsket størrelse til bruk i endoskopiske prosedyrer.

## Kontraindikasjoner

- Selv om pakking eller stopping noen ganger er nødvendig medisinsk sett, skal SURGICEL FIBRILLAR hemostat ikke brukes på denne måten, med mindre det skal fjernes etter at hemostase oppnås. (Se Advarsler og forholdsregler.)
- SURGICEL FIBRILLAR hemostat skal ikke brukes til implantering i beindefekter, slik som frakturer, siden det er en mulighet for forstyrrelse med callusdannelse og en teoretisk mulighet for cystedannelse.
- Hvis SURGICEL FIBRILLAR hemostat brukes til å hjelpe til med å oppnå hemostase i, rundt eller i nærheten av åpninger i bein, områder med beinbegrensninger, ryggrad eller synsnerven og samling, må det alltid fjernes etter at hemostase er oppnådd, siden det ellers vil swelle og gi uønsket trykk.
- SURGICEL FIBRILLAR hemostat skal ikke brukes til å kontrollere blødning fra større arterier.

- SURGICEL FIBRILLAR hemostat skal ikke brukes på ikke-blødende sørøse sivende overflater, siden kroppsvæsker annet enn blod, slik som f.eks. serum, ikke reagerer med SURGICEL FIBRILLAR hemostat for å gi tilfredsstillende hemostatisk virkning.
- SURGICEL FIBRILLAR hemostat skal ikke brukes som adhesjonsforebyggende produkt.

## Advarsler

- SURGICEL FIBRILLAR hemostat leveres sterilt, og siden materialet ikke kan autoklaveres eller steriliseres med etylenoksid, skal SURGICEL [elle TABOTAMP] FIBRILLAR hemostat ikke resteriliseres.
- SURGICEL FIBRILLAR hemostat er ikke ment som egnet substitutt for forsiktig kirurgi og riktig bruk av suturer og ligaturer.
- Innlukking av SURGICEL FIBRILLAR hemostat i et kontaminert sår uten drenering kan føre til komplikasjoner og skal unngås.
- Den hemostatiske virkningen av SURGICEL FIBRILLAR hemostat er større hvis det påføres tørt, derfor skal det ikke fuktes med vann eller saltløsning.
- SURGICEL FIBRILLAR hemostat skal ikke impregneres med anti-infeksiøse midler eller med andre materialer, slik som f.eks. buffering eller hemostatiske substanser. Den hemostatiske virkningen økes ikke ved tilsetning av thrombin, med aktivitet som ødelegges av produktets lave pH.
- Selv om SURGICEL FIBRILLAR hemostat kan være igjen in situ ved behov, anbefales det å fjerne det med en gang hemostase oppnås. Det må **alltid** fjernes fra påføringsstedet ved bruk i, rundt eller i nærheten av åpninger i bein, områder med beinbegrensninger, ryggrad og/eller synsnerven og samling, uansett type kirurgisk inngrep, fordi SURGICEL FIBRILLAR hemostat gjennom å svulle kan utøve trykk som kan føre til paralysen og/eller nerveskade. Løsriving av SURGICEL FIBRILLAR hemostat kan mulig skje ved gjenpakking, videre intraoperativ manipulering, utskylning, overdreven respirasjon osv. Det har vært rapporter om at SURGICEL FIBRILLAR hemostat i prosedyrer, slik som lobektomi, laminektomi og reparasjon av frontskallefraktur og revnet lapp, hvis det har blitt værende i pasienten etter lukning, har migrert fra applikasjonsstedet til åpninger i bein rundt ryggraden og ført til paralysen, og i et annet tilfelle, venstre bane for øyet, noe som forårsaket blindhet. Siden disse rapportene ikke kan bekrefte, må det utvises spesiell forsiktighet ved leger, **uansett typen kirurgisk inngrep**, for å vurdere tilrådeligheten ved å fjerne SURGICEL FIBRILLAR hemostat etter at hemostase er oppnådd.
- Selv om SURGICEL FIBRILLAR hemostat er baktericidal mot en lang rekke patogeniske mikroorganismer, er det ikke ment som substitutt for systemisk administrerte terapeutiske eller profylaktiske antimikrobielle midler for å kontrollere eller forebygge postoperative infeksjoner.

## Forholdsregler

- Bruk kun så mye SURGICEL FIBRILLAR hemostat som er nødvendig for å oppnå hemostase, og hold det fast på plass inntil blødningen stopper. Fjern alt overflødig materiale før kirurgisk lukning for å kunne lette absorberingen og minimere muligheten for reaksjon mot fremmedlegemer.
- I urologiske prosedyrer skal minimale mengder av SURGICEL FIBRILLAR hemostat brukes, og det må utvises forsiktighet for å forhindre tilstopping av uretra, ureter eller et kateter ved løsrøve deler av produktet.
- Siden absorbering av SURGICEL FIBRILLAR hemostat kan forhindres i kjemisk utbrente områder, skal ikke bruken gå foran applikasjon av sølvnitrat eller andre escharotiske kjemikalier.
- Hvis SURGICEL FIBRILLAR hemostat brukes midlertidig til å innrette kaviteten på større åpne sår, det skal plasseres for å ikke overlape hudkantene. Det skal også fjernes fra åpne sår med tang eller ved utskylning med sterilt vann eller saltvannsløsning etter at blødningen har stoppet.
- Forholdsregler skal tas i otorhinolaryngologisk kirurgi for å sikre at ikke noe av materialet aspireres av pasienten. (Eksempler: Kontrollere blødning etter tonsillektomi og kontrollere epistaxi).
- Utvis forsiktighet for å ikke påføre SURGICEL FIBRILLAR hemostat for tett hvis det brukes som forbindelse under vaskulær kirurgi (se uheldige reaksjoner).

## Veiledning for bruk i endoskopiske prosedyrer:

(se figur 1 og 2 på side 4).

*Figure 1. SURGICEL FIBRILLAR hemostat skal kuttes til ønsket størrelse for endoskopisk plassering. Standard endoskopiske prosedyrer skal brukes inntil plasseringspunktet for absorberbart hemostat. Grip SURGICEL FIBRILLAR hemostat ved ett hjørne. Med stadig bakoverbevegelse trekkes materialet inn i operasjonskanalen inntil materialet lukkes inne i enden av laparoskopet.*

*Figure 2.a. Plasser laparoskopet tilbake inn i pasienten via hylsen, og reposisjoner skopet over området for ønsket bruk. Skyv forsiktig gripeinstrumentet og materialet inn i kaviteten.*

*Figure 2.b. Ved bruk av gripeinstrumenter på et andre og eller tredje ekstrasted, kan plassering gjøres og materialet posisjoneres på plass.*

## Uheldige reaksjoner

- "Innkapsling" av væske og fremmedlegemereaksjoner har blitt rapportert.
- Det har vært rapporter med stenotisk virkning hvis SURGICEL FIBRILLAR hemostat har blitt brukt som forbindelse under vaskulær kirurgi. Selv om det ikke er fastsatt at stenosen hadde direkte sammenheng med bruk av SURGICEL FIBRILLAR hemostat, er det viktig å være forsiktig og unngå påføring av produktet som en forpakning.
- Paralysen og nerveskade har blitt rapportert hvis SURGICEL FIBRILLAR hemostat ble brukt i, rundt eller i nærheten av åpninger i bein, områder med beinbegrensninger, ryggrad og/eller synsnerven og samling. Mens de fleste av disse rapportene har vært i forbindelse med laminektomi, har rapporter

med paralysje også blitt mottatt i forbindelse med andre prosedyrer. Blindhet har blitt rapportert i forbindelse med kirurgisk reparasjon av revnet venstre frontlapp der SURGICEL FIBRILLAR hemostat ble plassert i anterior cranial fossa (se Advarsler og forholdsregler).

- Mulig forlengelse av tømningen i kolecystektomi og vanskelighet ved å late urin via uretra etter prostatektomi har blitt rapportert. Det har vært én rapport av blokkert ureter etter nyrereseksjon, der postoperative kateterisering var nødvendig.
- Noen rapporter om "sviende" eller "stikkende" følelser og nysing der SURGICEL FIBRILLAR hemostat har blitt brukt som pakning i epistaxis, er ment å skyldes produktets lave pH.
- Svie har blitt rapportert hvis SURGICEL FIBRILLAR hemostat ble brukt etter nasal polypfjerning og etter hemoroidektomi. Hodepine, svie, stikking og nysing i epistaxis og andre rinologiske prosedyrer. Også svie hvis SURGICEL FIBRILLAR hemostat ble brukt på overflatesår (varikøse ulcerasjoner, hudskrubbsår og donorsteder) har blitt rapportert.

### **Dosering og administrering**

Steril teknikk skal overholdes ved fjerning av SURGICEL FIBRILLAR hemostat fra den sterile beholderen. Minimale mengder av SURGICEL FIBRILLAR hemostat i passende størrelse legges på det blødende stedet eller holdes fast mot vevet inntil hemostase oppnås.

Mengden som kreves avhenger av typen og intensiteten på blødningen som skal stoppes. Hemostatisk virkning av SURGICEL FIBRILLAR hemostat er spesielt fremhevet ved bruk tørr. Fukting av materialet med vann eller fysiologisk saltvannsløsning anbefales ikke.

### **Oppbevaring og utløp**

SURGICEL FIBRILLAR hemostat skal lagres tørt under kontrollerte forhold (15°C-30°C) og beskyttet mot direkte sollys i originalpakningen.

Skal ikke brukes hvis den enkelte pakningen er ødelagt/åpnet. Skal ikke resteriliseres.

Levert SURGICEL FIBRILLAR hemostat er tilgjengelig steril som originalpakning i ulike størrelser.

Utløpsdato for dette produktet er trykket på pakningen. Ikke bruk SURGICEL FIBRILLAR hemostat etter denne datoen.



## **PL** Opis

Wchłanialny materiał hemostatyczny SURGICEL® FIBRILLAR jest jałowym, wchłanialnym włóknistym materiałem przygotowanym w procesie kontrolowanego utleniania regenerowanej celulozy. Materiał jest biały, o bladej żółtym odcieniu, o wyraźnym zapachu karmelu. Jest wytrzymały; nie strzępi się przy szyciu lub cięciu. Jest stabilny i może być przechowywany w kontrolowanej temperaturze pokojowej. Z czasem może dojść do niewielkiego odbarwienia materiału, które nie ma żadnego wpływu na jego właściwości. Dzięki włóknistej postaci produktu chirurg może chwycić kleszczycami dowolną ilość materiału hemostatycznego SURGICEL FIBRILLAR potrzebną do zapewnienia hemostazy w konkretnym miejscu krwawienia. Dzięki temu materiał jest wygodny w stosowaniu w trudno dostępnych miejscach krwawienia lub miejscach o nieregularnych kształtach. Mimo, iż nie sprawia trudności wyciągnięcie żądanej ilości materiału hemostatycznego SURGICEL FIBRILLAR z całości, grupa wybranych włókien nadal jest ze sobą złączona, dzięki czemu można łatwo kontrolować ich nakładanie na miejsce krwawienia. Nie występuje niepożądane rozproszenie materiału w polu operacyjnym.

## **Działanie**

Mechanizm działania, za pomocą którego materiał hemostatyczny SURGICEL FIBRILLAR przyspiesza krzepnięcie nie został całkowicie poznany, ale wydaje się, że jest to raczej działanie fizyczne, a nie wpływ na prawidłowy fizjologiczny proces krzepnięcia. Materiał SURGICEL FIBRILLAR po nasiąknięciu krwią pęcznieje i staje się brązową lub czarną galaretowatą masą, która pomaga w tworzeniu skrzepu, działając tym samym jako czynnik hemostatyczny wspomagający zatamowanie miejscowego krwawienia. Materiał SURGICEL FIBRILLAR jest wchłaniany z miejsca nałożenia i nie wywołuje praktycznie żadnych odczynów tkankowych, jeżeli został użyty w odpowiednio małej ilości. Wchłanianie zależy od kilku czynników m.in. ilości użytego materiału, stopnia nasycenia krwią i łożyska tkankowego.

Materiał SURGICEL FIBRILLAR, oprócz właściwości hemostatycznych, ma działanie bakteriobójcze *in vitro* wobec szerokiej gamy bakterii Gram ujemnych i dodatnich, zarówno tlenowców i beztlenowców. Materiał SURGICEL FIBRILLAR ma działanie bakteriobójcze *in vitro* wobec różnych szczepów bakterii, włącznie z następującymi:

*Staphylococcus aureus*  
*Staphylococcus epidermidis*

*Micrococcus luteus*

*Streptococcus pyogenes* Grupa A

*Streptococcus pyogenes* Grupa B

*Streptococcus salivarius*

*Branhamella catarrhalis*

*Escherichia coli*

*Klebsiella aerogenes*

*Lactobacillus* sp.

*Salmonella enteritidis*

*Shigella dysenteriae*

*Serratia marcescens*

Szczepy *Staphylococcus aureus* oporne na metycylinę (MRSA)

Szczepy *Streptococcus pneumoniae* oporne na penicylinę (PRSP)

Szczepy *Enterococcus* oporne na wankomycynę (VRE)

Szczepy *Staphylococcus epidermidis* oporne na metycylinę (MRSE)

*Bacillus subtilis*

*Proteus vulgaris*

*Corynebacterium xerosis*

*Mycobacterium phlei*

*Clostridium tetani*

*Clostridium perfringens*

*Bacteroides fragilis*

*Enterococcus*

*Enterobacter cloacae*

*Pseudomonas aeruginosa*

*Pseudomonas stutzeri*

*Proteus mirabilis*

Badania przeprowadzone na zwierzętach wykazały, że materiał SURGICEL FIBRILLAR nie zwiększa leczonego zakażenia w przeciwieństwie do innych środków hemostatycznych. Materiał SURGICEL FIBRILLAR nie stanowi jednak alternatywy dla systematycznie podawanych terapeutycznych lub profilaktycznych środków antybakteryjnych.

Materiał SURGICEL FIBRILLAR może być użyty w wielu dziedzinach chirurgii, jak np. chirurgia sercowo-naczyniowa, wycięcie guzków krwawniczych, wszczepienie protez naczyniowych, biopsje, operacje na płucach, chirurgia szczękowo-twarzowa, resekcja żołądka, operacje laryngologiczne, operacje wątroby i pęcherzyka żółciowego, operacje ginekologiczne, sympatektomia piersiowa i brzuszna, neurochirurgia, szczególnie operacje mózgu, operacje tarczycy, przeszczepy skóry, leczenie powierzchownych obrażeń.

## **Wskazania**

Materiał hemostatyczny SURGICEL FIBRILLAR stosowany jest przy zabiegach chirurgicznych jako środek ułatwiający kontrolowanie niewielkich krwotoków tętniczych, żylnych lub włóśniaczkowych, gdy podwiązanie naczyń lub stosowanie innych tradycyjnych metod nie ma uzasadnienia lub jest nieskuteczne. Materiał hemostatyczny SURGICEL FIBRILLAR można przycinać do odpowiedniego rozmiaru do operacji endoskopowych.

## **Przeciwwskazania**

- Chociaż tamponowanie jest niekiedy wskazane ze względów medycznych, materiał SURGICEL FIBRILLAR nie powinien być w ten sposób stosowany, chyba że zostanie usunięty po osiągnięciu hemostazy. (Zob. Ostrzeżenia i środki ostrożności).
- Materiał SURGICEL FIBRILLAR nie powinien być wszczepiany w miejsca ubytków kostnych, takich jak złamania, istnieje bowiem możliwość zakłócenia tworzenia kostniny i teoretycznie możliwość powstania torbieli.

- Jeżeli materiał SURGICEL FIBRILLAR jest stosowany w celu osiągnięcia hemostazy w obrębie lub w okolicy otworów lub kanałów kostnych, rdzenia kręgowego lub nerwu albo skrzyżowania nerwów wzrokowych, musi być usunięty po osiągnięciu hemostazy, zwiększa on bowiem swoją objętość i może wywierać niepożądany ucisk.
- Materiał SURGICEL FIBRILLAR nie powinien być stosowany do tamowania krwawienia z dużych tętnic.
- Materiał SURGICEL FIBRILLAR nie powinien być stosowany na niekrwawiące powierzchnie, gdzie przesącza się płyn surowiczy, bowiem płyny ustrojowe inne niż pełna krew, na przykład surowica, nie reagują z materiałem SURGICEL FIBRILLAR i nie dają pożądanego działania hemostatycznego.
- Materiał SURGICEL FIBRILLAR nie powinien być używany jako materiał zapobiegający wzrostom.

## Ostrzeżenia

- Materiał SURGICEL FIBRILLAR dostarczany jest w postaci jałowej, a ponieważ nie nadaje się do sterylizacji w autoklawie lub tlenkiem etylenu, nie powinien on być powtórnie wyjaławiany.
- Materiał SURGICEL FIBRILLAR nie może zastąpić starannej techniki chirurgicznej ani właściwego użycia szwów i podwiązek.
- Należy unikać użycia materiału SURGICEL FIBRILLAR do zabezpieczania zanieczyszczonej rany bez drenażu, może to bowiem prowadzić do powikłań.
- Działanie hemostatyczne materiału SURGICEL FIBRILLAR jest większe, jeżeli jest stosowany suchy, dlatego nie powinien być nawilżany wodą czy solą fizjologiczną.
- Materiału hemostatycznego SURGICEL FIBRILLAR nie należy nasączać środkami przeciw zakażeniom ani innymi materiałami, takimi jak środki buforujące lub hemostatyczne. Jego działanie hemostatyczne nie jest zwiększane przez dodanie trombiny, której działanie jest niweczone niskim pH produktu.
- Chociaż materiał SURGICEL FIBRILLAR może być w razie potrzeby pozostawiony *in situ*, zaleca się jego usunięcie po osiągnięciu hemostazy. Musi on być **zawsze** usunięty z miejsca zastosowania, jeżeli był używany w celu osiągnięcia hemostazy w obrębie lub w okolicy otworów lub kanałów kostnych, rdzenia kręgowego lub nerwu albo skrzyżowania nerwów wzrokowych niezależnie od rodzaju zabiegu, bowiem materiał SURGICEL FIBRILLAR, zwiększając swoją objętość, może wywrzeć niepożądany ucisk powodujący porażenie i/lub uszkodzenie nerwu. Przemieszczenie założonego materiału SURGICEL FIBRILLAR może nastąpić pod wpływem powtórnego tamponowania, dalszych manipulacji śródoperacyjnych, płukania, nadmiernego odsysania, itp. Istnieją doniesienia, że w takich operacjach jak lobektomia, laminektomia, plastyka złamanej kości czołowej i uszkodzenia płata, materiał SURGICEL FIBRILLAR pozostawiony w ciele pacjenta po zamknięciu rany przemieszczał się z miejsca zastosowania do otworu w kości wokół rdzenia kręgowego, powodując paraliż, oraz w innym przypadku, przemieszczał się do lewego oczodołu, wywołując ślepotę pacjenta. Chociaż nie sposób potwierdzić tych doniesień, lekarz musi zachować szczególną ostrożność, **bez względu na rodzaj operacji chirurgicznej** z uwzględnieniem wskazań do usunięcia materiału SURGICEL FIBRILLAR po uzyskaniu stanu hemostazy.
- Chociaż materiał SURGICEL FIBRILLAR wykazuje działanie bakteriobójcze wobec szerokiej gamy patogenów, to nie może on zastąpić terapeutycznych lub profilaktycznych leków przeciwbakteryjnych stosowanych ogólnoustrojowo w celu kontroli lub zabezpieczenia przed zakażeniami pooperacyjnymi.

## Środki ostrożności

- Użyj takiej ilości materiału SURGICEL FIBRILLAR, jaka jest niezbędna do osiągnięcia hemostazy, utrzymując materiał starannie w miejscu, dopóki krwawienie nie ustanie. Przed zamknięciem rany usuń nadmiar materiału, aby ułatwić wchłanianie i zminimalizować ryzyko reakcji na obce ciało.
- Przy operacjach urologicznych należy używać minimalnych ilości materiału SURGICEL FIBRILLAR, zachowując szczególną uwagę, aby przemieszczony fragment materiału nie zaczepował cewki moczowej, moczowodu lub cewnika.
- Ponieważ wchłanianie materiału SURGICEL FIBRILLAR w obszarach poddanych chemicznej kauteryzacji może być niemożliwe, przed jego użyciem nie należy stosować azotanu srebra lub innych środków kaustycznych.
- Jeżeli materiał SURGICEL FIBRILLAR stosowany jest tymczasowo, do wyścielenia jamy rozległej otwartej rany, należy go umieścić w taki sposób, aby nie nakładał się na brzegi skóry. Należy go usunąć z otwartych ran przy pomocy kleszczyków lub wypłukiwania jałową wodą lub solą fizjologiczną, gdy krwawienie ustanie.
- Podczas operacji laryngologicznych należy przedsięwziąć środki ostrożności, aby żaden fragment materiału nie został wessany do dróg oddechowych pacjenta. (Przykłady: tamowanie krwawienia po wycięciu migdałków lub krwawienia z nosa).
- Należy zachować ostrożność, aby nie owinąć materiału SURGICEL FIBRILLAR zbyt ciasno, gdy jest stosowany w chirurgii naczyniowej jako otulina naczyń krwionośnych (zob. Działania niepożądane).

## Instrukcja stosowania w procedurach endoskopowych:

(zob. rysunki 1 i 2 na stronie 04).

**Figure 1.** Materiał SURGICEL FIBRILLAR można przycinać do odpowiedniego rozmiaru do operacji endoskopowych. Do momentu umieszczenia materiału hemostatycznego należy stosować standardowe procedury endoskopowe. Chwyć fragment materiału SURGICEL FIBRILLAR za jeden róg. Ciągnąc równomiernie od tyłu, wciągnij materiał do kanału roboczego, aż cały materiał znajdzie się w końcówce laparoskopu.

**Figure 2.A.** Wprowadź laparoskop z powrotem do ciała pacjenta poprzez intubator tak, aby pole widzenia objęło planowany obszar umieszczenia materiału. Powoli wepchnij kleszczyki razem z przytrzymywanym materiałem do utworzonej jamy.

**Figure 2.B.** Materiał może być umieszczony na swoim miejscu przy użyciu kleszczyków w drugim i/lub trzecim miejscu uchwytu.

## **Działania niepożądane**

- Stwierdzono "otorbienia się" płynu i reakcje na ciało obce.
- Stwierdzono efekt zwężenia, jeżeli materiał SURGICEL FIBRILLAR był stosowany w chirurgii naczyniowej jako otulina naczyń krwionośnych. Chociaż nie potwierdzono, że zwężenie było bezpośrednio spowodowane zastosowaniem materiału SURGICEL FIBRILLAR, należy postępować ostrożnie i unikać ciasnego zawiązania materiału jako otuliny.
- Stwierdzono paraliż i uszkodzenie nerwu, kiedy materiał SURGICEL FIBRILLAR był stosowany w obrębie lub w okolicy otworów lub kanałów kostnych, rdzenia kręgowego i/lub nerwu lub skrzyżowania nerwów wzrokowych. O ile większość z tych doniesień dotyczyła laminektomii, stwierdzono również wystąpienie paraliżu w przypadku innych procedur. Stwierdzono ślepotę w powiązaniu z chirurgiczną naprawą uszkodzonego lewego płata czołowego, gdy materiał SURGICEL FIBRILLAR został umieszczony w przednim dole czaszkowym (zob. Ostrzeżenia i środki ostrożności).
- Donoszono o wydłużeniu się czasu drenażu po cholecystektomii i utrudnionym przepływie moczu przez cewkę moczową po prostatektomii. Istnieje jedno doniesienie o zablokowaniu moczowodu po resekcji nerki, gdy wymagane było cewnikowanie pooperacyjne.
- Uważa się, że pojedyncze doniesienia o uczuciu "palenia" lub "kłucia" oraz kichania w przypadku użycia materiału SURGICEL FIBRILLAR do tamponowania przy krwawieniu z nosa są spowodowane niskim pH tego produktu.
- Donoszono o uczuciu palenia, gdy materiał SURGICEL FIBRILLAR został zastosowany po usunięciu polipa w nosie i po usunięciu guzków krwawniczych. N Ból głowy, palenie, pieczenie oraz kichanie przy krwawieniu z nosa i zabiegach laryngologicznych. Donoszono również o uczuciu pieczenia, gdy materiał SURGICEL FIBRILLAR był stosowany na rany powierzchniowe (owrzodzenia żylakowate, otarcia skóry, miejsca pobrania przeszczepów).

## **Dawkowanie i sposób stosowania**

Podczas wyjmowania materiału SURGICEL FIBRILLAR z jałowego opakowania należy przestrzegać zasad antyseptyki. Minimalna ilość materiału SURGICEL FIBRILLAR przycięta do odpowiedniego rozmiaru powinna być położona na krwawiące miejsce lub mocno przytrzymana na tkance do uzyskania hemostazy. Pożądana ilość zależy od rodzaju i intensywności krwawienia, które ma być zatamowane. Działanie hemostatyczne materiału SURGICEL FIBRILLAR jest szczególnie widoczne, gdy materiał ten jest stosowany w stanie suchym. Nie zaleca się nasączania materiału wodą lub solą fizjologiczną.

## **Przechowywanie i okres trwałości**

Materiał SURGICEL FIBRILLAR powinien być przechowywany w oryginalnym opakowaniu w suchym miejscu, w kontrolowanej temperaturze (15°C-30°C) i z dala od bezpośredniego działania promieni słonecznych.

**Nie używać, jeżeli opakowanie indywidualne jest uszkodzone/otwarte. Nie sterylizować ponownie. Dostarczony materiał hemostatyczny SURGICEL FIBRILLAR jest dostępny w postaci jałowej w oryginalnym opakowaniu o różnych rozmiarach.**

**Data ważności produktu jest wydrukowana na opakowaniu. Nie stosować materiału hemostatycznego SURGICEL FIBRILLAR po upływie tej daty.**

## **HU** Leírás

A SURGICEL\* FIBRILLAR\* felszívódó vérzéscsillapító egy steril, felszívódó rostos anyag, melyet a regenerált cellulóz ellenőrzött oxidálásával állítanak elő. A szövet fehér színű, halvány sárga árnyalattal és enyhe, karamellhez hasonló aromája van. Ellenálló és rojtosodás nélkül varrható vagy vágható. A vegyület stabil és ellenőrzött szobahőmérsékleten kell tárolni. Idővel enyhe szinvesztés léphet fel, ám ez nem befolyásolja a teljesítményt.

A termék rostos alakja lehetővé teszi a sebész számára, hogy csipesz segítségével kellő mennyiségű SURGICEL FIBRILLAR vérzéscsillapítót helyezzen a vérzés helyére a kívánt vérzéscsillapítás eléréséhez. Ezáltal könnyebben megoldhatók a nehezen elérhető vagy szabálytalan sebből kiinduló vérzések. Annak ellenére, hogy a kívánt mennyiségű SURGICEL FIBRILLAR vérzéscsillapítót könnyen ki lehet emelni a készletből, a kivett szálak továbbra is tapadnak egymáshoz és a vérzés területére történő felvitelük könnyen ellenőrizhető. Nem kívánt szétszóródás a műtési területre nem fordul elő.

## **Műveletek**

A SURGICEL FIBRILLAR vérzéscsillapító véralvadás gyorsító hatásának működési elve nem teljesen világos még, de úgy tűnik, hogy inkább fizikai hatást fejt ki, és nem a normális élettani véralvadási mechanizmust változtatja meg. Miután a SURGICEL FIBRILLAR vérzéscsillapító vérrrel telítődik, barna vagy fekete zselés tömeggé duzzad, amely elősegíti a véralvadék létrejöttét, ezáltal véralvadási kiegészítőként viselkedik a helyi vérzés ellenőrzésében. Ha minimális mennyiségben megfelelően használják, a SURGICEL FIBRILLAR vérzéscsillapító a behelyezés területéről gyakorlatilag szövetreakció nélkül szívódik fel. A felszívódás számos tényezőtől függ, beleértve a használt mennyiséget, a vérrel való feltöltődés mértékét és a szövetfaját.

A helyi vérzéscsillapító tulajdonságai mellett a SURGICEL FIBRILLAR vérzéscsillapító *in vitro* számos Gram pozitív és Gram negatív organizmussal szemben baktericid (baktériumölő) hatású, az aerob és anaerob baktériumokat is beleértve. A SURGICEL FIBRILLAR vérzéscsillapító *in vitro* számos törzs esetében baktericid hatású, beleértve a következőket:

*Staphylococcus aureus*  
*Staphylococcus epidermidis*

*Micrococcus luteus*

*Streptococcus pyogenes*, A csoport

*Streptococcus pyogenes*, B csoport

*Streptococcus salivarius*

*Branhamella catarrhalis*

*Escherichia coli*

*Klebsiella aerogenes*

*Lactobacillus* sp.

*Salmonella enteritidis*

*Shigella dysenteriae*

*Serratia marcescens*

meticillin rezisztens *Staphylococcus aureus* (MRSA)

penicillin rezisztens *Streptococcus pneumoniae* (PRSP)

vancomycin rezisztens *Enterococcus* (VRE)

meticillin rezisztens *Staphylococcus epidermidis* (MRSE)

*Bacillus subtilis*

*Proteus vulgaris*

*Corynebacterium xerosis*

*Mycobacterium phlei*

*Clostridium tetani*

*Clostridium perfringens*

*Bacteroides fragilis*

*Enterococcus*

*Enterobacter cloacae*

*Pseudomonas aeruginosa*

*Pseudomonas stutzeri*

*Proteus mirabilis*

Állatkísérletek kimutatták, hogy a SURGICEL FIBRILLAR vérzéscsillapító, más vérzéscsillapító szerekkel ellentétben nem súlyosítja a kísérletileg előidézett fertőzést. A SURGICEL FIBRILLAR vérzéscsillapító nem használható a szisztémásan alkalmazott terápiás vagy profilaktikus antimikrobiális szerek alternatívájaként.

A SURGICEL FIBRILLAR vérzéscsillapító a sebészet különböző területein használható, mint például: szív- és érsebészet, aranyér eltávolítás, érprotézisek beültetése, biopsziák, tüdőműtétek, arc és állkapocs műtétek, gyomor-reszekciók, nyaki vagy orrműtétek, máj és epehólyag operációk, nőgyógyászati beavatkozások, mellkasi és hasi szimpatetomiák, idegsebészet, különösen az agyi műtétek, pajzsmirigy műtétek, bőrátültetések és felületi sérülések kezelése.

## **Javallatok**

A SURGICEL FIBRILLAR vérzéscsillapító kiegészítőként alkalmazható sebészeti eljárásokban a hajszáleres, vénás és kisartériás vérzések ellenőrzésére, ha a lekötyés, vagy egyéb hagyományos vérzéscsillapítási módszerek nem kivitelezhetőek, vagy nem elég hatékonyak. A SURGICEL FIBRILLAR vérzéscsillapító méretre vágható az endoszkópos beavatkozásokban való felhasználás érdekében.

## **Ellenjavallatok**

- Bár a tamponálás vagy kipárnázás alkalmazása olykor orvosilag indokolt lehet, a SURGICEL FIBRILLAR vérzéscsillapító nem használható erre a célra, kivéve, ha a vérzés csillapítása után eltávolítják az alkalmazás helyéről. (Lásd Figyelmeztetések és Övintézkedések).
- A SURGICEL FIBRILLAR vérzéscsillapító nem használható csonthiányok pótlására, például törések esetében, mert megakadályozhatja a megfelelő csontképződést és elméletileg ciszta kialakulását okozhatja.
- Ha a SURGICEL FIBRILLAR vérzéscsillapítót csontos nyílás, a gerincvelő vagy a látóideg és a látóideg-keresztződés környékén vagy közelében alkalmazzák, a vérzés megszűnése után mindig el kell távolítani onnan, mert megduzzad és nem kívánt nyomást okozhat.

- A SURGICEL FIBRILLAR vérzéscsillapító nem használható a nagy artériákból származó vérzés csillapítására.
- A SURGICEL FIBRILLAR vérzéscsillapító nem használható szűrőmalmal borított felületen, mert a teljes vértől eltérő testnedvek, mint például a szérum, nem lépnek reakcióba a SURGICEL FIBRILLAR vérzéscsillapítóval, és így nem jön létre a vérzéscsillapító hatása.
- A SURGICEL FIBRILLAR vérzéscsillapító nem használható adhéziók kialakulásának megelőzésére.

## Figyelmeztetések

- A SURGICEL FIBRILLAR vérzéscsillapító steril kiszerezésben kerül forgalomba és nem újratesterilizálható, mivel nem fér össze az autoklávos vagy etilén-oxid-dal történő sterilizálással.
- A SURGICEL FIBRILLAR vérzéscsillapító nem helyettesítheti a gondos sebészeti beavatkozást és a varratok és lekötések megfelelő használatát.
- Kerülendő a SURGICEL FIBRILLAR vérzéscsillapító alkalmazása dréncső nélküli, fertőzött sebek esetén, mivel ez szövődményekhez vezethet.
- A SURGICEL FIBRILLAR vérzéscsillapító hatásfoka nagyobb, ha szárazon alkalmazzák, ezért nem ajánlott használat előtt vízbe vagy sóoldatba helyezni.
- A SURGICEL FIBRILLAR vérzéscsillapítót nem szabad átítatni anti-mikrobiális szerekkel vagy egyéb anyagokkal (pl. puffer vagy vérzéscsillapító szerekkel). Trombin hozzáadásával a vérzéscsillapító hatás nem nő meg, mert a termék alacsony pH szintje semlegesíti annak hatását.
- Bár a SURGICEL FIBRILLAR vérzéscsillapító szükség esetén *in situ* hagyható, a vérzés elállítása után mégis javasolt az eltávolítása. Ha a SURGICEL FIBRILLAR vérzéscsillapítót csontos nyílás, a gerincvelő, a látóideg, vagy a látóideg-keresztződés környékén vagy közelében alkalmazzák, a vérzés megszűnése után sebészeti eljárástól függetlenül **mindig** el kell távolítani onnan, mert megduzzadása nyomást hozhat létre, amely bénuláshoz és/vagy idegsérüléshez vezethet. A SURGICEL FIBRILLAR vérzéscsillapító a további műtét közbeni mozgatás, öblítés, fokozott légzés stb. miatt elmozdulhat. Beszámoltak olyan esetekről, pl. lebenyeltávolítás, laminektómiai eljárások, frontális koponyatörés és lebenyszakadás helyreállítása, melyeknek során a sebzárást követően a betegben javított SURGICEL FIBRILLAR vérzéscsillapító az alkalmazás helyéről a gerincvelő környékén található nyílások irányába mozdult el, és bénulást okozott. Egy másik esetben az anyag a bal szemüregbe került és vakságot okozott. Bár a fenti esetek nem igazolhatók, az orvosnak **a sebészeti eljárástól függetlenül** a vérzés elállítása után figyelembe kell vennie a SURGICEL FIBRILLAR vérzéscsillapító eltávolítására tett javaslatokat.
- Bár a SURGICEL FIBRILLAR vérzéscsillapító baktericid tulajdonságokkal rendelkezik nagyszámú kórokozó mikroorganizmussal szemben, mégsem tekinthető a rendszeresen adagolt terápiás vagy profilaktikus antimikrobiális szerek helyettesítőjének a műtét utáni fertőzések ellenőrzésében vagy megelőzésében.

## Övintézkedések

- Csak annyi SURGICEL FIBRILLAR vérzéscsillapítót használjon, amennyi szükséges a vérzés elállításához. A vérzéscsillapítót tartsa szorosan a vérzés helyén mindaddig, amíg a vérzés el nem áll. A sebészeti zárás előtt távolítsa el minden fölösleget a felszívódás elősegítése és az idegentest reakció lehetőségének minimalizálása érdekében.
- Urológiai beavatkozások során minimális mennyiségű SURGICEL FIBRILLAR vérzéscsillapító használata javasolt, és óvatosan kell eljárni, hogy a termék elmozduló részei ne zárhassák el a húgycsővet, a húgyvezetékét vagy a behelyezett katétert.
- Mivel a SURGICEL FIBRILLAR vérzéscsillapító felszívódása meghiúsulhat kémiaiag kauterizált területeken, az alkalmazás előtt nem szabad ezüst-nitrátot vagy bármilyen más maró hatású kémiai anyagot használni.
- Ha a SURGICEL FIBRILLAR vérzéscsillapítót ideiglenesen a nagy nyitott sebek üregének bélelésére használják, elhelyezése oly módon kell történnjen, hogy a bőrszéleket ne fedje át. A vérzés megállása után a nyílt sebekből az eszközt csipesszel vagy steril vízzel vagy sós oldattal történő mosással el kell távolítani.
- Fül-orr-gégészeti sebészeti eljárások során vigyázni kell arra, hogy a beteg ne lélegezze be az anyagot. (Például: a vérzéscsillapítás mandulaműtét után, valamint orrvérzés csillapítása).
- Ha a SURGICEL FIBRILLAR vérzéscsillapítót az érsebészeti beavatkozás során az erek beburkolására használják, vigyázni kell arra, hogy a burkolat ne legyen túl szoros.

## Irányelvek endoszkópos eljárásokhoz:

(lásd az 1 és 2 ábrákat a(z) 04 oldalon).

*Figure 1. A SURGICEL FIBRILLAR vérzéscsillapítót megfelelő méretre kell vágni az endoszkópos behelyezéshez. A felszívódó vérzéscsillapító behelyezésséig a szokványos endoszkópos eljárás alkalmazható. Fogja meg az egyik sarkánál a SURGICEL FIBRILLAR vérzéscsillapítót. Visszafelé irányuló egyenletes mozgással húzza be az anyagot a műtőcsatornába, amíg a laparoszkóp végébe nem kerül.*

*Figure 2.A. Az endoszkóp hüvelyén át helyezze vissza a laparoszkópot a betegbe és irányítsa a kamerát a kívánt behelyezési területre. Lassan tolja be a befogott anyagot az üregbe.*

*Figure 2.B. Egy második és/vagy harmadik segédhüvelyen betölt fogóeszköz segítségével az anyag a helyére illeszthető.*

## Mellékhatások

- Leírtak folyadékgyülemet és idegentest reakciókat.
- Ha a SURGICEL FIBRILLAR vérzéscsillapítót az érsebészeti beavatkozás során az erek beburkolására

használik, érszűkítő hatás léphet fel. Bár nem sikerült közvetlen kapcsolatot megállapítani a SURGICEL FIBRILLAR vérzéscsillapító használata és a szűkület kialakulása között, fontos az elővigyázatosság, és kerülni kell az erek szoros beburkolását.

- Ha a SURGICEL FIBRILLAR vérzéscsillapítót csontos nyílás, a gerincvelő, a látóideg, vagy a látóideg-kereszteződés környékén vagy közelében alkalmazzák, bénulás és idegsérülés jöhet létre. Bár a leírások többsége laminektómiával kapcsolatos, más eljárás kapcsán is kialakulhat bénulás. Egy leírás szerint a SURGICEL FIBRILLAR vérzéscsillapító elülső koponyagyödörben történő alkalmazásakor - bal elülső lebeny sérülés sebészeti helyrehozása során - vakság alakult ki (lásd Figyelmeztetések és óvintézkedések).
- Leírások szerint, epehólyag eltávolítás után meghosszabbodhat a drenázs ideje, valamint prosztatata-eltávolítás után előfordulhat, hogy a vizelet nehezen távozik a húgycsővön keresztül. Egy esetben húgyvezeték elzáródás történt veseeltávolítás után, ami műtét utáni katéter felhelyezést tett szükségessé.
- Elvértve előfordult, hogy orrvérzés során a SURGICEL FIBRILLAR vérzéscsillapító tömitőként történő használatakor a beteg „égő” és „szúró” érzést jelzett, tüsszentett, aminek feltételezhetően ennek a termék alacsony pH értéke az oka.
- Égő érzést irtak le a SURGICEL FIBRILLAR vérzéscsillapító orrpolyip eltávolítás és aranyér-műtét utáni használatakor. Orrvérzés és egyéb orrműtétek során fejfájás, égés, szúró fájdalom és tüsszentés léphet fel. A SURGICEL FIBRILLAR vérzéscsillapító felületi sebekben (visszértágulások fekély, horzsolás, bőrátültetés helye) történő alkalmazása esetén szúró érzést irtak le.

## **Adag és alkalmazás**

A SURGICEL FIBRILLAR vérzéscsillapító steril csomagolásból való eltávolítása alkalmával be kell tartani a sterilitás megőrzésének szabályait. Minimális mennyiségű és megfelelő méretű SURGICEL FIBRILLAR vérzéscsillapítót kell a vérzés területére helyezni vagy szorosan a szövetre nyomni a vérzés elállásáig.

A kívánt mennyiség az elállítandó vérzés típusától és erősségétől függ. A SURGICEL FIBRILLAR vérzéscsillapító hatása különösen kifejezett szárazon történő alkalmazás során. Nem ajánlott az anyag vízzel vagy fiziológiás sóoldattal történő nedvesítése.

## **Tárolás és eltarthatóság**

A SURGICEL FIBRILLAR vérzéscsillapítót ellenőrzött körülmények között (15°C-30°C), az eredeti csomagolásban, száraz helyen, közvetlen napfénytől védve kell tárolni.

Ne használja, ha az egyéni csomagolás sérült, illetve nyitott. Ne sterilizálja újra. A SURGICEL FIBRILLAR vérzéscsillapító steril állapotban található az eredeti csomagolásban, különböző méretekben. A termék szavatossági ideje a csomagoláson található. Ne használja a SURGICEL FIBRILLAR vérzéscsillapítót ezen dátum után.

## **CZ** Popis

Vstřebatelný hemostat SURGICEL® FIBRILLAR je sterilní vstřebatelný vláknitý materiál připravený řízenou oxidací regenerované celulózy. Tato textilie je bílá se žlutavým odstínem a slabou vůní po karamelu. Je pevná a lze ji šít nebo stříhat bez roztržení. Je stabilní a uchovává se při regulované pokojové teplotě. Po čase může dojít k mírné změně barvy, to však nemá vliv na její funkčnost. Vláknitá podoba výrobku umožňuje chirurgovi uchopit pomocí pinzety jakékoli množství hemostatu SURGICEL FIBRILLAR potřebné k dosažení hemostázy v konkrétním místě krvácení. Jeho použití je proto výhodné u krvácejících míst, která jsou špatně dosažitelná nebo mají nepravidelný tvar. Ačkoliv se dá potřebné množství hemostatu SURGICEL FIBRILLAR snadno vytáhnout z celého balení, skupina vybraných vláken drží i nadále pohromadě a aplikaci na místo krvácení lze snadno kontrolovat. Nedochází k nechtěnému rozptýlení v místě zákroku.

## **Použití**

Způsob účinku, jakým hemostat SURGICEL FIBRILLAR urychluje koagulaci, není zcela vysvětlen, ale zdá se, že se jedná spíše o fyzikální účinek než o změnu běžného mechanismu fyziologické koagulace. Po nasycení krví hemostat SURGICEL FIBRILLAR nabobtná a změní se na hnědavou nebo černou želatinovitou hmotu, která napomáhá tvorbě krevní sraženiny a slouží tak jako hemostatická pomůcka při regulaci lokálního krvácení. Při správném použití v minimálních množstvích se hemostat SURGICEL FIBRILLAR vstřebává z místa implantace prakticky bez tkáňové reakce. Vstřebávání závisí na několika faktorech včetně použitého množství, stupně saturace krví a tkáňového lože.

Kromě lokálních hemostatických vlastností má hemostat SURGICEL FIBRILLAR baktericidní účinky *in vitro* proti širokému spektru gram pozitivních a gram negativních organismů (včetně aerobních i anaerobních). Hemostat SURGICEL FIBRILLAR je *in vitro* baktericidní především proti kmenům následujících druhů:

|   |                                |
|---|--------------------------------|
| <i>Staphylococcus aureus</i>  | <i>Bacillus subtilis</i>       |
| <i>Staphylococcus epidermidis</i>                                     | <i>Proteus vulgaris</i>        |
| <i>Micrococcus luteus</i>   | <i>Corynebacterium xerosis</i> |
| <i>Streptococcus pyogenes</i> skupiny A                               | <i>Mycobacterium phlei</i>     |
| <i>Streptococcus pyogenes</i> skupiny B                               | <i>Clostridium tetani</i>      |
| <i>Streptococcus salivarius</i>                                       | <i>Clostridium perfringens</i> |
| <i>Branhamella catarrhalis</i>  | <i>Bacteroides fragilis</i>    |
| <i>Escherichia coli</i>   | <i>Enterococcus</i>            |
| <i>Klebsiella aerogenes</i>   | <i>Enterobacter cloacae</i>    |
| <i>Lactobacillus</i> sp.  | <i>Pseudomonas aeruginosa</i>  |
| <i>Salmonella enteritidis</i>   | <i>Pseudomonas stutzeri</i>    |
| <i>Shigella dysenteriae</i>   | <i>Proteus mirabilis</i>       |
| <i>Serratia marcescens</i>  |                                |
| <i>Staphylococcus aureus</i> rezistentní vůči methicilinu (MRSA)      |                                |
| <i>Streptococcus pneumoniae</i> rezistentní vůči penicilinu (PRSP)    |                                |
| <i>Enterococcus</i> rezistentní vůči vankomycinu (VRE)                |                                |
| <i>Staphylococcus epidermidis</i> rezistentní vůči methicilinu (MRSE) |                                |

Studie provedené na zvířatech prokazují, že hemostat SURGICEL FIBRILLAR, na rozdíl od jiných hemostatických prostředků, nezvyšuje experimentální infekci. Hemostat SURGICEL FIBRILLAR však není alternativou k systémově aplikovaným terapeutickým nebo profylaktickým antimikrobiálními látkami. Hemostat SURGICEL FIBRILLAR může být používán v mnoha oblastech chirurgie, např. v kardiovaskulární chirurgii, při hemoroidektomii, implantaci cévních náhrad, biopsiích, operacích plic, čelistní a obličejové chirurgii, resekcii žaludku, operacích hrdla nebo nosu, operacích jater a žlučníku, gynekologických operacích, sympatektomiích v oblasti hrudníku a břicha, neurochirurgii, zvláště operacích mozku, operacích štítné žlázy, transplantacích kůže a léčbě povrchových zranění.

## **Indikace**

Hemostat SURGICEL FIBRILLAR se používá jako pomocný prostředek při chirurgických zákrocích, aby napomáhal při zvládnutí kapilárního, venózního a malého arteriálního krvácení v případech, kdy jsou podvázání a další konvenční metody zástavy krvácení nepraktické nebo neúčinné. Hemostat SURGICEL FIBRILLAR lze zastříhnout na velikost vhodnou pro výkon endoskopických zákroků.

## **Kontraindikace**

- Ačkoli je účpávka nebo výplň z lékařského hlediska někdy nutná, nepoužívejte hemostat SURGICEL FIBRILLAR tímto způsobem, pokud nemá být po dosažení hemostázy odstraněn. (Viz Varování a Upozornění).
- Nepoužívejte hemostat SURGICEL FIBRILLAR k implantaci při defektech kostí, jako např. při zlomeninách, protože zde existuje možnost interference s tvorbou svalku na kosti a teoretická možnost tvorby cyst.
- Je-li hemostat SURGICEL FIBRILLAR používán k dosažení hemostázy v blízkosti otvorů v kosti, oblastí ohraničených kostí, míchy nebo zrakového nervu a chiasmatu, nebo v nich či kolem nich, musí být vždy po dosažení zástavy krvácení odstraněn, jinak nabobtná a mohl by vyvíjet nežádoucí tlak.
- Hemostat SURGICEL FIBRILLAR nepoužívejte k zástavě krvácení z velkých tepen.
- Hemostat SURGICEL FIBRILLAR nepoužívejte na nekrvácivých površích mokvajících sérem, protože tělesné tekutiny jiné než plná krev, např. sérum, nereagují s hemostatem SURGICEL FIBRILLAR tak, aby bylo dosaženo dostatečného hemostatického účinku.
- Hemostat SURGICEL FIBRILLAR nepoužívejte jako výrobek pro prevenci tvorby srůstů.

## Varování

- Hemostat SURGICEL FIBRILLAR je dodáván sterilní, a protože tento materiál není kompatibilní s autoklárováním nebo sterilizací ethylenoxidem, nelze Hemostat SURGICEL FIBRILLAR resterilizovat.
- Hemostat SURGICEL FIBRILLAR není určen jako náhrada za pečlivé provedení operace a správné použití sutur a podvázání.
- Uzavření hemostatu SURGICEL FIBRILLAR do kontaminované rány bez drenáže může vést ke komplikacím a je třeba se mu vyhnout.
- Hemostatický účinek hemostatu SURGICEL FIBRILLAR je vyšší, je-li aplikován suchý. Proto jej nevlhčete vodou ani fyziologickým roztokem.
- Hemostat SURGICEL FIBRILLAR neimpregnujte antiinfekčními činidly ani jinými materiály, jako jsou pufrací nebo hemostatické látky. Jeho hemostatický účinek se nezvyšuje přidavkem trombinu, jehož aktivita se nízkým pH tohoto výrobku ničí.
- Ačkoli může být hemostat SURGICEL FIBRILLAR v případě potřeby ponechán *in situ*, je vhodné jej odstranit, jakmile bylo dosaženo hemostázy. Je-li hemostat SURGICEL FIBRILLAR používán v blízkosti otvorů v kosti, oblastí ohraničených kostí, míchy a/nebo zrakového nervu a chiasmatu, nebo v nich či kolem nich, musí být bez ohledu na druh chirurgického zákroku **vždy** odstraněn z místa aplikace, protože by po nabobtnání mohl vyvíjet tlak, který by vedl k paralýze a/nebo poškození nervu. Vlivem např. opětovné tamponády, další intraoperativní manipulace, výplachu, zvýšené respirace atd. by mohlo případně dojít k migraci hemostatu SURGICEL FIBRILLAR. Byly hlášeny případy, kdy při zákrocích jako je lobektomie, laminektomie a náprava frontální fraktury lebky a lacerovaného laloku, migroval hemostat SURGICEL FIBRILLAR ponechaný po uzavření v pacientovi, z místa aplikace do foramina v kosti kolem míchy, což vedlo k paralýze, a v jiném případě do levé očníce, což způsobilo slepotu. Přestože tato hlášení nelze potvrdit, musí lékaři, **bez ohledu na druh chirurgického zákroku**, zvláště pečlivě posoudit vhodnost odstranění hemostatu SURGICEL FIBRILLAR po dosažení hemostázy.
- Přestože má hemostat SURGICEL FIBRILLAR baktericidní účinky proti širokému spektru patogenních mikroorganismů, není určen jako náhrada za systémově podávané léčebné nebo preventivní antimikrobiální látky pro zvládnání nebo prevenci pooperačních infekcí.

## Upozornění

- Používejte pouze takové množství hemostatu SURGICEL FIBRILLAR, které je nezbytné pro hemostázu, a držte jej pevně na místě, dokud se krvácení nezastaví. Pro usnadnění vstřebávání a minimalizaci možnosti reakce vůči cizorodému tělesu odstraňte před chirurgickým uzavřením veškeré přebytek materiálu.
- Při urologických zákrocích používejte minimální množství hemostatu SURGICEL FIBRILLAR a věnujte zvýšenou péči prevenci ucpání močové trubice, močovodu nebo katétru uvolněnými částmi tohoto výrobku.
- Protože by v chemicky kauterizovaných oblastech mohlo být znemožněno vstřebávání hemostatu SURGICEL FIBRILLAR, jeho použití nesmí předcházet aplikace dusičnanu stříbrného nebo jakýchkoli jiných chemických látek nekrotizujících tkáň a způsobujících eschary.
- Je-li hemostat SURGICEL FIBRILLAR dočasně použit k vyložení dutiny velkých otevřených ran, uložte jej tak, aby nepřekrýval okraje kůže. Z otevřených ran jej po zastavení krvácení také odstraňte pinzetou nebo vypláchnutím sterilní vodou nebo fyziologickým roztokem.
- Při otorinolaryngologických operacích je nutné přijmout taková bezpečnostní opatření, která zajistí, že pacient nevedechne nic z tohoto materiálu. (Příklady: zástava krvácení po tonzilektomii a zástava krvácení z nosu).
- Je-li hemostat SURGICEL FIBRILLAR použit jako obal při operaci cév, dbejte na to, aby nebyl přiložen příliš těsně (viz Nežádoucí účinky).

## Pokyny k použití při endoskopických zákrocích:

(viz obr. 1 a 2 na str. 04.)

**Obrázek 1.** *Zastříhnete hemostat SURGICEL FIBRILLAR na velikost vhodnou pro endoskopické umístění. Až do okamžiku umístění vstřebatelného hemostatu použijte standardní endoskopické postupy. Uchopte hemostat SURGICEL FIBRILLAR za jeden roh. Plynulým pohybem dozadu táhněte materiál do operačního kanálu, dokud nebude materiál uzavřen na konci laparoskopu.*

**Obrázek 2.A.** *Vraťte laparoskop skrz nátrubek zpět do pacienta a přemístujte laparoskop přes oblast požadované aplikace. Pomalu vtačte materiál a nástroj, kterým jste jej uchopili, do dutiny.*

**Obrázek 2.B.** *Umístění materiálu a úpravu jeho polohy na místě lze provést pomocí nástrojů pro uchopení ve druhém a/nebo třetím pomocném místě.*

## Nežádoucí účinky

- Byly hlášeny případy „opouzďení“ tekutiny a reakce na cizí těleso.
- Vyskytla se hlášení stenózního účinku v případech, kdy byl hemostat SURGICEL FIBRILLAR aplikován jako obal při operaci cév. Přestože nebylo prokázáno, že by stenóza přímo souvisela s použitím hemostatu SURGICEL FIBRILLAR, je důležité, abyste byli opatrní a neaplikovali tento materiál těsně jako obal.
- Vyskytla se hlášení paralýzy a poškození nervu po použití hemostatu SURGICEL FIBRILLAR v blízkosti otvorů v kosti, oblastí ohraničených kostí, míchy a/nebo zrakového nervu a chiasmatu, nebo v nich či kolem nich. Ačkoli byla většina těchto hlášení podána v souvislosti s laminektomií, došla i hlášení o paralýze v souvislosti s jinými zákroky. V souvislosti s chirurgickou nápravou lacerovaného levého frontálního laloku byla hlášena slepota, když byl hemostat SURGICEL FIBRILLAR vložen do přední jámy lebeční (viz Varování a Upozornění).



- Vyskytla se hlášení možné prolongace drenáže při cholecystektomiích a potíží při průchodu moči močovou trubicí po prostatektomii. Jedno hlášení uvádělo zablokovaný močovod po resekci ledvin, u které bylo požadováno pooperační cévkování.
- Domníváme se, že příležitostné zprávy o pocitech „pálení“ a „píchání“ a o kýchání při použití hemostatu SURGICEL FIBRILLAR jako výplně při krvácení z nosu jsou dány nízkým pH výrobku.
- Vyskytla se hlášení pálení v případech, kdy byl hemostat SURGICEL FIBRILLAR aplikován po odstranění nosního polypu a po hemoroidektomii. Bolesti hlavy, pálení, píchání a kýchání u epistaxe a dalších rinologických zákroků. Vyskytla se také hlášení píchání v případech, kdy byl hemostat SURGICEL FIBRILLAR aplikován na povrchové rány (varikózní tvoření vředů, dermabraze a donorová místa).

### **Dávkování a podávání**

Při vyjímání hemostatu SURGICEL FIBRILLAR ze sterilního obalu dodržujte sterilní postupy.

Minimální množství hemostatu SURGICEL FIBRILLAR o vhodné velikosti se položí na krvácející místo nebo se pevně přidrží na tkáni až do dosažení hemostázy.

Potřebné množství závisí na povaze a intenzitě krvácení, které má být zastaveno. Hemostatický účinek hemostatu SURGICEL FIBRILLAR se zvláště zesílí, je-li hemostat použit suchý. Nedoporučuje se vlhčení tohoto materiálu vodou ani fyziologickým roztokem.

### **Skladování a použitelnost**

Hemostat SURGICEL FIBRILLAR skladujte suchý v původním obalu za regulovaných podmínek (15 °C - 30 °C) a chráněný před přímým světlem.

Nepoužívejte, pokud je kusové balení poškozeno či otevřeno. Neresterilizujte. Hemostat SURGICEL FIBRILLAR se dodává sterilní v původním obalu v různých velikostech.

Doba použitelnosti tohoto výrobku je vytištěna na obalu. Po tomto datu hemostat SURGICEL FIBRILLAR nepoužívejte.

## **SK** Popis

SURGICEL® FIBRILLAR Absorbable Haemostat je sterilný absorbovateľný vláknitý materiál vyrobený regulovanou oxidáciou regenerovanej celulózy. Biely úplet s bledožltým nádychom má jemnú arómu pripomínajúcu karamel. Je pevný a možno ho zošívateľ alebo strihať bez rozstrapkania. Je stabilný a musí sa uchovávať pri regulovanej izbovej teplote. Časom môže vyblednúť, nemá to však vplyv na jeho funkčné charakteristiky.

Fibrilárna forma výrobku lekárovi umožňuje zobrať pinzetou akékoľvek množstvo SURGICEL FIBRILLAR Haemostat potrebné na dosiahnutie hemostázy v konkrétnom mieste krvácania. Vďaka tomu je vhodný pre miesta krvácania, ktoré sú ťažko dostupné alebo majú nepravidielný tvar. Hoci sa požadované množstvo SURGICEL FIBRILLAR Haemostat dá jednoducho vytiahnuť z celého kus, skupina vybraných vlákien zostáva naďalej držať pohromade a aplikácia na miesto krvácania sa dá ľahko ovládať. Nedochádza k nežiaducemu rozptýleniu nad miestom operácie.

## **Spôsob použitia**

Mechanizmus účinku, ktorým SURGICEL FIBRILLAR Haemostat urýchľuje zrážanie krvi nie je v plnom rozsahu známy, zdá sa však, že tu ide skôr o fyzický účinok ako o akúkoľvek zmenu normálneho fyziologického mechanizmu zrážania krvi. Po nasýtení krvou SURGICEL FIBRILLAR Haemostat napučiava a vytvorí hnedastú až čiernu glejovitú hmotu napomáhajúcu tvorbu krvnej zrazeniny a pôsobiaca tak ako stimulátor hemostázy pri kontrole miestneho krvácania. Pri vhodnom použití v minimálnych množstvách sa SURGICEL FIBRILLAR Haemostat z miesta implantácie vstrebáva prakticky bez akýchkoľvek reakcie tkaniva. Vstrebávanie závisí od viacerých faktorov vrátane použitého množstva, nasýtenosti krvou a od tkanivového lôžka.

Pomimo svojich lokálnych hemostatických účinkov má SURGICEL FIBRILLAR Haemostat baktericídne účinky *in vitro* proti širokému okruhu grampozitívnych i gramnegatívnych organizmov, vrátane aeróbov aj anaeróbov. Hemostatikum SURGICEL FIBRILLAR Haemostat je baktericídne *in vitro*, okrem iných aj proti kmeňom druhov:

*Staphylococcus aureus*

*Staphylococcus epidermidis*

*Micrococcus luteus*

*Streptococcus pyogenes* skupiny A

*Streptococcus pyogenes* skupiny B

*Streptococcus salivarius*

*Branhamella catarrhalis*

*Escherichia coli*

*Klebsiella aerogenes*

*Lactobacillus* sp.

*Salmonella enteritidis*

*Shigella dysenteriae*

*Serratia marcescens*

*Staphylococcus aureus* (MRSA) rezistentný na meticilín

*Streptococcus pneumoniae* (PRSP) rezistentný na penicilín

*Enterococcus* (VRE) rezistentný na vancomycín

*Staphylococcus epidermidis* (MRSE) rezistentný na meticilín

*Bacillus subtilis*

*Proteus vulgaris*

*Corynebacterium xerosis*

*Mycobacterium phlei*

*Clostridium tetani*

*Clostridium perfringens*

*Bacteroides fragilis*

*Enterococcus*

*Enterobacter cloacae*

*Pseudomonas aeruginosa*

*Pseudomonas stutzeri*

*Proteus mirabilis*

Štúdie uskutočnené na zvieratách ukazujú, že SURGICEL FIBRILLAR Haemostat na rozdiel od iných hemostatických látok nezvyšuje experimentálnu infekciu. SURGICEL FIBRILLAR Haemostat však nie je alternatívou k systematicky aplikovaným terapeutickým ani profylaktickým bakteriostatikám.

SURGICEL FIBRILLAR Haemostat možno používať v mnohých oblastiach chirurgie, napr. pri kardiovaskulárnych operáciách, hemoroidektómii, implantácii vaskulárnych náhrad, biopsiách, operáciách pľúc, operáciách tváre a čeluste, resekcii žalúdka, operáciách hrdla alebo nosa, operáciách pečene a žlčníka, gynekologických operáciách, torakálnych a abdominálnych sympatektómiách, v neurochirurgii, predovšetkým pri operáciách mozgu, operáciách štítnej žľazy, transplantáciách kože, ošetrovaní povrchových poranení.

## **Indikácie**

SURGICEL FIBRILLAR Haemostat sa používa adjuktívne pri chirurgických operáciách na kontrolu kapilárneho, venózneho a drobného tepnového krvácania, keď podviazanie alebo iné konvenčné metódy kontroly nie sú vhodné alebo účinné. SURGICEL FIBRILLAR Haemostat možno nastrihať na požadovaný rozmer a použiť pri endoskopických.

## **Kontraindikácie**

- Hoci z lekárskeho hľadiska je niekedy potrebné tampónovanie alebo použitie pijavého materiálu, SURGICEL FIBRILLAR Haemostat sa týmto spôsobom nesmie používať, ak sa po dosiahnutí hemostázy neodstráni. (Pozri Upozornenia a bezpečnostné opatrenia).
- SURGICEL FIBRILLAR Haemostat sa nesmie používať na implantáciu v kostných defektoch, ako sú fraktúry, pretože tu hrozí možnosť, že znemožní tvorbu kalusu a hrozí teoretická šanca na tvorbu cysty.
- Ak sa SURGICEL FIBRILLAR hemostatikum používa na pomoc pri dosiahnutí hemostázy vo foramene, okolo foramenu, alebo v blízkosti foramenu kosti, oblasti hranice kosti, miechy alebo zrakového nervu či skrížením zrakových nervov. Po dosiahnutí hemostázy sa musí vždy odstrániť, pretože by napučalo a mohlo by spôsobiť nežiaduci tlak.

- SURGICEL FIBRILLAR Haemostat sa nesmie používať na zastavovanie krvácania z veľkých tepien.
- SURGICEL FIBRILLAR Haemostat sa nesmie používať na nekrvávajúce serózne mokvajúce povrchy, pretože iné telesné tekutiny ako plná krv, napr. sérum, na SURGICEL FIBRILLAR Haemostat nereagujú a nespôsobia uspokojujú hemostatický účinok.
- SURGICEL FIBRILLAR Haemostat sa nesmie používať ako prostriedok proti prilepeniu.

## Upozornenia

- SURGICEL FIBRILLAR Haemostat sa dodáva sterilný a pretože jeho materiál nie je kompatibilný s autoklávaním ani so sterilizáciou etylénoxidom, SURGICEL FIBRILLAR Haemostat sa nesmie opätovne sterilizovať.
- SURGICEL FIBRILLAR Haemostat nie je určený ako náhrada za starostlivú chirurgiu ani za vhodné použitie stehov a poviazania.
- SURGICEL FIBRILLAR Haemostat uzavretý v kontaminovanej rane bez drenáže môže spôsobiť komplikácie. Tejto možnosti sa treba vystríhať.
- Hemostatický účinok SURGICEL FIBRILLAR Haemostat je väčší, ak sa aplikuje suchý; preto sa nesmie používať navlhčený vodou ani fyziologickým roztokom.
- SURGICEL FIBRILLAR Haemostat nesmie byť impregnovaný antiinfekčnými ani inými látkami, napr. tlmivými alebo hemostatickými látkami. Jeho hemostatický účinok sa nezlepší pridaním trombinu, ktorého účinok je eliminovaný nízkym pH produktu.
- Hoci SURGICEL FIBRILLAR Haemostat možno v prípade potreby ponechať *in situ*, odporúča sa ihneď po dosiahnutí hemostázy odstrániť ho. Z miesta aplikácie sa musí odstrániť **vždy**, ak sa používa vo foramene, okolo foramenu, alebo v blízkosti foramenu kosti, oblasti hranice kosti, miechy alebo zrakového nervu či skrížená zrakových nervov, a to nezávisle od druhu chirurgickej operácie, pretože SURGICEL FIBRILLAR hemostatikum by po napučaní mohlo spôsobovať tlak a viesť k paralýze a/alebo poškodeniu nervu. Možnosť uvoľnenia SURGICEL FIBRILLAR Haemostat hrozí napr. v dôsledku pretampónovania, ďalšej intraoperačnej manipulácie, výplachu, prílišného dýchania a pod. Vyskytli sa správy, že pri takých operáciách, ako je lobektómia, laminektómia a reparácia fraktúry čelovej lebky a lacerovaného laloku SURGICEL FIBRILLAR Haemostat, ak bol ponechaný v pacientovi po uzavretí, migroval z lokality aplikácie do foramina in kosti okolo miechy, čo zapríčinilo paralýzu, a v druhom prípade ľavého orbitu oka a spôsobil slepotu. Hoci tieto správy nebolo možné potvrdiť, pri posudzovaní vhodnosti vyberania SURGICEL FIBRILLAR Haemostat po dosiahnutí hemostázy, lekári musia postupovať s osobitnou opatrnosťou, **bez ohľadu na typ chirurgickej operácie**.
- Hoci má SURGICEL FIBRILLAR Haemostat baktericidné účinky proti širokému okruhu patogénnych mikroorganizmov, nie je zamýšľaný ako náhrada za systematicky podávané terapeutické alebo profylaktické bakteriostatiká na kontrolu alebo prevenciu pooperačných infekcií.

## Preventívne pokyny

- Použite iba také množstvo hemostatika SURGICEL FIBRILLAR Haemostat, aké je potrebné na zastavenie krvácania a pridržiavajte ho pevne na mieste, až kým krvácanie neprestane. Pred uzavretím rany odstráňte nadbytočné kúsky s cieľom zabezpečenia vstrebávania a minimalizácie reakcie na cudzorodý materiál.
- Pri urologických operáciách treba používať minimálne množstvá SURGICEL FIBRILLAR Haemostat. Nutná je opatrnosť na predchádzanie upchatia močovej rúry, močovodu alebo katétra uvoľnenými časťami produktu.
- Pretože v chemicky naleptaných oblastiach môže byť vstrebávanie SURGICEL FIBRILLAR Haemostat znemožnené, pred jeho použitím sa nesmie aplikovať dusičnan strieborný ani iné escharotiká.
- Ak sa SURGICEL FIBRILLAR Haemostat používa temporálne na vyplnenie dutín veľkých otvorených rán, musí sa prikladať tak, aby nepresahoval za okraje kože. Musí sa odstrániť pinzetou alebo navlhčením sterilnou vodou alebo fyziologickým roztokom aj z otvorených rán po zastavení krvácania.
- Pri otorinolaryngologickej operácii je potrebné kľásť dôraz na to, aby pacient materiál nevdychol. (Např.: kontrola krvácania po tonzilektómii a kontrola epistaxie).
- Pri vaskulárnej operácii postupujte opatrne a neaplikujte SURGICEL FIBRILLAR Haemostat príliš tesne, ak sa používa ako zábal (pozri Nepriaznivé účinky).

## Pokyny na používanie pri endoskopických postupoch

(Pozri obrázky 1 a 2 na strane 04).

**Obrázok 1.** Hemostatikum SURGICEL FIBRILLAR Haemostat sa odstrihne v požadovanom rozmere na príloženie. Až do momentu aplikácie sa musia používať štandardné endoskopické postupy. SURGICEL FIBRILLAR Haemostat uchopíte za jeden roh. Rovnomerným pohybom dozadu vtiahnete materiál do operačného kanála až na koniec laparoskopu.

**Figure 2.A.** Laparoskop zasuňte späť do dutiny pacienta cez plášť a umiestnite ho späť nad požadované miesto aplikácie. Uchopovací nástroj a materiál pomaly zatlačte do dutiny.

**Figure 2.B.** Pomocou uchopovacích nástrojov na druhej a/alebo tretej pomocnej lokalite možno presne nastaviť polohu a uložiť materiál presne na požadované miesto.

## Nepriaznivé účinky

- Boli hlásené prípady „zapúzdrenia“ tekutiny a reakcie na cudzorodý materiál.
- Vyskytli sa správy o stenotickom účinku, keď sa SURGICEL FIBRILLAR Haemostat aplikoval ako zábal pri vaskulárnej operácii. Hoci nebola potvrdená priama súvislosť stenózy s použitím SURGICEL FIBRILLAR Haemostat, pri aplikovaní tohto materiálu ako tesne zviazaného zábalu je potrebná opatrnosť.
- Pri použití SURGICEL FIBRILLAR Haemostat okolo, v okolí alebo v blízkosti otvoru v kosti, v oblastiach

kostného uzáveru, miechy, a/or zrkového nervu a chiasm boli hlásené prípady paralýzy a poškodenia nervu. Hoci väčšina z týchto správ súvisela s laminektómiou, správy o paralýze boli hlásené aj v súvislosti s inými postupmi. Slepota bola hlásená v spojení s chirurgickou reparáciou lacerovaného ľavého frontálneho laloku, keď bol SURGICEL FIBRILLAR Haemostat priložený do jamky v čelnej lebečnej spodine (pozri Varovania a bezpečnostné opatrenia).

- Bolo hlásené možné predĺženie drenáže pri cholecystektómiách a ťažkosti pri prechode moču cez močovú rúru po prostatektómii. Jedna správa hlásila upchatý močovod po resekcii obličky, pri ktorom bola potrebná pooperačná katetrizácia.
- Príležitostné správy o „pálivých“ a „štípavých“ pocitoch a kýchaní po použití SURGICEL FIBRILLAR Haemostat ako tampónov pri epistaxii sú podľa nášho názoru spôsobené nízkym pH.
- Pálenie bolo hlásené, ak sa SURGICEL FIBRILLAR Haemostat aplikoval po vybratí nosného polypu a hemoroidektómii. Bolesti hlavy, pálenie, štipanie a kýchanie pri epistaxii a iných rinologických procedúrach. Takisto aj pálenie, keď bol SURGICEL FIBRILLAR Haemostat aplikovaný na povrchové rany (varikózne ulcerácie, dermabrázie a materské plochy).

### **Dávkovanie a podávanie**

Pri vyberaní SURGICEL FIBRILLAR Haemostat zo sterilnej nádoby dodržiavajte sterilnú techniku.

Minimálne množstvo SURGICEL FIBRILLAR Haemostat s vhodnými rozmermi priložte alebo pevne pridržte oproti tkanivám, až kým sa nezastaví krvácanie.

Potrebné množstvo závisí od charakteru a intenzity krvácania. Hemostatický účinok hemostatika SURGICEL FIBRILLAR Haemostat je zvlášť výrazný, ak sa použije suché. Neodporúča sa navlhčovať materiál vodou ani fyziologickým roztokom.

### **Uchovávanie a doba spotreby**

SURGICEL FIBRILLAR Haemostat sa musí uchovávať v kontrolovaných podmienkach (15 °C - 30 °C), chránené pred priamym slnečným svetlom a v pôvodnom balení.

Nepoužívať, ak je individuálne balenie poškodené alebo otvorené. Nesmie sa opätovne sterilizovať. Dodávaný SURGICEL FIBRILLAR Haemostat sa vyrába v originálnych baleniach rôznych rozmerov. Dátum konečnej spotreby tohto výrobku je vytlačený na obale. Nepoužívajte SURGICEL FIBRILLAR Haemostat po tomto dátume.

## **SI** Opis izdelka

Absorbirajoče sredstvo za zaustavitev krvavitve SURGICEL® FIBRILLAR je sterilna vpojna vlaknasta snov, ki je bila posebej pripravljena s pomočjo nadzorovane oksidacije regenerirane celuloze. Omenjena tkanina je bele barve s svetlo rumenim vzorcem in z zelo blago, karameli podobno aromo. Tkanina je zelo močna in se jo lahko šiva ali reže ne da bi se obrabila. Tkanino, ki je čvrsta in stabilna, hranite pri nadzorovani sobni temperaturi. Sčasoma lahko pride do rahlega razbarvanja tkanine, vendar ta pojav ne vpliva na njeno običajno delovanje.

Vlaknasta oblika izdelka omogoča kirurgom, da s kleščami primejo poljubno količino sredstva za zaustavitev krvavitve SURGICEL FIBRILLAR, ki je potrebna za zaustavitev krvavitve na določenem mestu krvavitve. Zaradi tega je primerna za mesta krvavitve, ki jih je težko doseči, ali ki so neenakomerno oblikovana. Čeprav je zeleno količino sredstva za zaustavitev krvavitve SURGICEL FIBRILLAR enostavno izveliči iz celotne zaloge, skupina izbranih vlaken še naprej ostaja medsebojno spojena, namestitvev na mesto krvavitve pa je enostavno nadzorovati. Pri tem ne pride do neželene razširitve po operativnem mestu.

## **Delovanje**

Mehanizem delovanja s katerim sredstvo za zaustavitev krvavitve SURGICEL FIBRILLAR pospešuje strjevanje ni v celoti razumljen, vendar pa se zdi, da gre za fizikalni učinek in ne za kakšnokoli spremembo normalnega fiziološkega mehanizma strjevanja. Ko se sredstvo za zaustavitev krvavitve SURGICEL FIBRILLAR prepoji s krvjo, tkanina nabrekne v rjavo ali črno želatinasto maso, ki pozitivno vpliva na oblikovanje strdka ter tako deluje kot hemostatični pripomoček pri nadzorovanju lokalne krvavitve. Pri pravilni uporabi manjše količine sredstva za zaustavitev krvavitve SURGICEL FIBRILLAR se sredstvo popolnoma vpije v mesta vsaditve, pri čemer praktično nikoli ne pride do reakcije tkiva na sredstvo. Vpivanje sredstva je odvisno od številnih faktorjev, predvsem pa od količine uporabljenega sredstva, stopnje prepojenosti s krvjo in vrste tkiva, na katerega ste sredstvo položili.

Poleg svojih lastnosti pri zaustavljanju lokalnih krvavitev, sredstvo za zaustavitev krvavitve SURGICEL FIBRILLAR deluje tudi kot *in vitro* baktericid, proti velikemu številu gram pozitivnih in gram negativnih organizmov, vključno z aerobnimi in anaerobnimi bakterijami. Sredstvo za zaustavitev krvavitve SURGICEL FIBRILLAR kot *in vitro* baktericid deluje tudi proti različnim vrstam sevov, vključno z:

|   |                                |
|---|--------------------------------|
| <i>Staphylococcus aureus</i>            | <i>Bacillus subtilis</i>       |
| <i>Staphylococcus epidermidis</i>       | <i>Proteus vulgaris</i>        |
| <i>Micrococcus luteus</i>               | <i>Corynebacterium xerosis</i> |
| <i>Streptococcus pyogenes</i> skupine A | <i>Mycobacterium phlei</i>     |
| <i>Streptococcus pyogenes</i> skupine B | <i>Clostridium tetani</i>      |
| <i>Streptococcus salivarius</i>         | <i>Clostridium perfringens</i> |
| <i>Branhamella catarrhalis</i>          | <i>Bacteroides fragilis</i>    |
| <i>Escherichia coli</i>                 | <i>Enterococcus</i>            |
| <i>Klebsiella aerogenes</i>             | <i>Enterobacter cloacae</i>    |
| <i>Lactobacillus</i> sp.                | <i>Pseudomonas aeruginosa</i>  |
| <i>Salmonella enteritidis</i>           | <i>Pseudomonas stutzeri</i>    |
| <i>Shigella dysenteriae</i>             | <i>Proteus mirabilis</i>       |
| <i>Serratia marcescens</i>              |                                |

*Staphylococcus aureus*, ki je odporen proti meticilinu (MRSA)  
*Streptococcus pneumoniae*, ki je odporen proti penicilinu (PRSP)  
*Enterococcus*, ki je odporen proti vancomicinu (VRE)  
*Staphylococcus epidermidis*, ki je odporen proti meticilinu (MRSE)

Raziskave, opravljene na živalih kažejo, da sredstvo za zaustavitev krvavitve SURGICEL FIBRILLAR za razliko od drugih sredstev za zaustavitev krvavitve ne povečujejo eksperimentalne infekcije. Kljub temu pa sredstva za zaustavitev krvavitve SURGICEL FIBRILLAR ne uporabljajte kot nadomestilo za sistematično nanašanje terapevtskih ali profilaktičnih sredstev proti mikrobom.

Sredstvo za zaustavitev krvavitve SURGICEL FIBRILLAR lahko uporabite na številnih področjih kirurgije, kot npr. pri kardiovaskularnih posegih, odstranjevanju in zdravljenju hemoroidov, pri vstavljanju vaskularnih protez, biopsiji, operaciji pljuč, kirurških posegih na obrazu in čeljusti, izrezovanju želodčnega tkiva, operacijah žrela in nosu, kirurških posegih na jetrih in žolčniku, ginekoloških operacijah, torakalnih in abdominalnih posegih na simpatičnem živčevju, nevrokirurgiji, predvsem pri cerebralnih operacijah, operacijah ščitnice, presaditvi kožnih tkiv in pri zdravljenju površinskih poškodb.

## **Indikacije**

Sredstvo za zaustavitev krvavitve SURGICEL FIBRILLAR se uporablja kot pripomoček pri kirurških posegih, saj pomaga pri nadzorovanju kapilarnih, venskih in manjših arterijskih krvavitev, če se podvezovanje žil ali ostale običajne metode nadzora izkažejo za nepraktične ali neučinkovite. Sredstvo za zaustavitev krvavitve SURGICEL FIBRILLAR je mogoče razrezati na ustrežno velikost za uporabo pri endoskopskih posegih.

## **Kontraindikacije**

- Čeprav je obvezovanje ali vatanje z zdravstvenega stališča včasih potrebno, sredstva za zaustavitev krvavitve SURGICEL FIBRILLAR na ta način ne smete uporabljati, razen če ga nameravate po zaustavitvi krvavitve odstraniti. (Glej Opozorila in Varnostni dobav).
- Sredstva za zaustavitev krvavitve SURGICEL FIBRILLAR ne smete uporabljati namesto drugih vsadkov pri poškodbah kosti, kot so zlomi, saj lahko sredstvo ovira oblikovanje kostnih izrastkov. Poleg tega

obstaja tudi teoretična možnost nastanka cist.

- Ko sredstvo za zaustavitev krvi SURGICEL FIBRILLAR uporabljate za zaustavitev krvavitev v, okoli ali v bližini odprtih v kosteh, v bližini področij kostnega hrustanca, hrbtnjače ali optičnega živčevja in hiazma, ga morate po zaustavitvi krvavitve vedno odstraniti, saj sredstvo, ki vpije večjo količino krvi, nabrekne in lahko povzroči nezaželen pritisk na tkiva.
- Sredstva za zaustavitev krvavitve SURGICEL FIBRILLAR ne uporabljajte za nadzorovanje krvavitev iz večjih arterij.
- Sredstva za zaustavitev krvavitve SURGICEL FIBRILLAR ne uporabljate za nadzorovanje nekrvavečih površinskih seroznih izcedkov, saj vse ostale telesne tekočine razen krvi, kot na primer serum, ne reagirajo s sredstvom za zaustavitev krvavitve SURGICEL FIBRILLAR in ne zagotavljajo zadovoljivih rezultatov pri zaustavitvi krvavitve.
- Sredstva za zaustavitev krvavitve SURGICEL FIBRILLAR ne uporabljajte kot izdelka za preprečevanje sprijemanja.

## Opozorila

- Sredstvo za zaustavitev krvavitve SURGICEL FIBRILLAR je dobavljeno sterilizirano in glede na to, da tkanina ne prenaša obdelave v avtoklavih ali sterilizacije z etilen oksidom, sredstva za zaustavitev krvavitve SURGICEL FIBRILLAR ne smete ponovno sterilizirati.
- Sredstva za zaustavitev krvavitve SURGICEL FIBRILLAR ne uporabljate kot nadomestila za kirurške posege ter za šivanje in obvezovanje, ki morajo biti ustrezno izvedeni.
- Če sredstvo za zaustavitev krvavitve SURGICEL FIBRILLAR namestite v okuženo rano, ne da bi omogočili drenažo rane, lahko pride do komplikacij, zato sredstva na ta način ne uporabljajte.
- Delovanje sredstva za zaustavitev krvavitve SURGICEL FIBRILLAR lahko še izboljšate, če sredstvo uporabite suho; zato ga ne vlažite z vodo ali solno raztopino.
- Sredstva za zaustavitev krvavitve SURGICEL FIBRILLAR ne smete impregnirati s sredstvi proti okužbam ali z drugimi materiali, kot so spojine za blaženje ali zaustavitev krvavitve. Delovanje sredstva za zaustavitev krvavitve ne boste izboljšali, če sredstvu dodate trombin, saj se njegovo delovanje popolnoma izniči zaradi nizke pH vrednosti izdelka.
- Čeprav sredstvo za zaustavitev krvavitve SURGICEL FIBRILLAR lahko, ko je to potrebno, pustite *in situ*, proizvajalec priporoča, da sredstvo po zaustavitvi krvavitve odstranite. Sredstvo morate **vedno** odstraniti, ko ga uporabljate v, okoli ali v bližini odprtih v kosteh, v bližini področij kostnega hrustanca, hrbtnjače in/ali optičnega živčevja in hiazma, ne glede na vrsto kirurškega posega, saj sredstvo za zaustavitev krvavitve SURGICEL FIBRILLAR nabrekne in lahko povzroči nezaželen pritisk na tkiva, kar lahko povzroči paralizo in/ali poškodbo živčevja. Sredstvo za zaustavitev krvavitve SURGICEL FIBRILLAR se lahko premakne z mesta, kamor ste ga namestili, predvsem zaradi ponovnega nameščanja sredstva, nadaljnjih notranjih operacijskih posegov, izpiranja, povečanega dihanja, ipd. Obstajajo poročila, da je sredstvo za zaustavitev krvavitve SURGICEL FIBRILLAR, ki so ga pri posegih, kot so lobektomija, laminektomija in zdravljenje zlomov in raztrganin na sprednjem delu lobanje, po zaprtju pustili v rani, migriralo z zdravljenega področja v kostne odprtine v okolici hrbtnjače in povzročilo paralizo, ter, v drugem primeru, v levo očesno votlino in povzročilo slepoto. Čeprav zgoraj omenjenih primerov ne moremo potrditi, morajo biti zdravniki posebej previdni **ne glede na vrsto kirurškega posega, ki ga opravljajo**, in upoštevati priporočilo o odstranjevanju sredstava zaustavitev krvavitve SURGICEL FIBRILLAR po tem, ko so krvavitve zaustavili.
- Čeprav sredstvo za zaustavitev krvavitve SURGICEL FIBRILLAR deluje kot baktericid proti različnim vrstam patogenih mikroorganizmov, ga ne smete uporabljati kot nadomestilo za sistematično zdravljenje s terapevtskimi ali profilaktičnimi sredstvi proti mikrobom, s katerimi nadzorujemo ali preprečujemo pooperativne okužbe.

## Varnostni dobav

- Uporabite le tolikšno količino sredstva za zaustavitev krvavitve SURGICEL FIBRILLAR, kot je dejansko potrebno za zaustavitev krvavitve. Sredstvo trdno namestite na rano in ga držite, dokler se krvavitve ne zaustavi. Morebitne ostanke sredstva morate pred zašitjem rane odstraniti, saj se tako poveča zmožnost vpijanja sredstva in zmanjša možnost reakcije tkiva na tujek.
- Pri uroloških posegih uporabite najmanjšo možno količino sredstva za zaustavitev krvavitve SURGICEL FIBRILLAR, poleg tega pa bodite posebej pozorni, da deli sredstva za zaustavitev krvavitve ne zamašijo sečevoda, uretre ali katetra.
- Glede na to da se vpijanje sredstva za zaustavitev krvavitve SURGICEL FIBRILLAR lahko prepreči na kemijsko izžganih tkivih, sredstva ne uporabljajte za zaustavitev krvavitve iz ran, ki ste jih pred tem zdravili s srebrovim nitratom ali s katerim koli drugim jedkim sredstvom.
- Če sredstvo za zaustavitev krvavitve SURGICEL FIBRILLAR uporabljate za začasno oblaganje večjih odprtih ran, ga namestite tako, da ne prekriva robov kožnega tkiva. Po zaustavitvi krvavitve morate sredstvo kleščami ali z izpiranjem s sterilno vodo ali solno raztopino iz odprtih ran tudi odstraniti.
- Pri otorinolaringoloških posegih morate biti posebej pozorni in se prepričati, da pacient ne vdihava nobenega dela sredstva za zaustavitev krvavitve. (Primeri: nadzorovanja krvavitve po odstranitvi mandljev in nadzorovanja krvavitve iz nosu)
- Če sredstvo uporabljate kot obvezo pri vaskularnih posegih (Glej Neprijetne reakcije), bodite posebej pozorni, da sredstva za zaustavitev krvavitve SURGICEL FIBRILLAR ne namestite preveč tesno.

## Navodila za uporabo pri endoskopskih posegih:

(glej sliko 1 in 2 na strani 04).

Figure 1. Sredstvo za zaustavitev krvavitve SURGICEL FIBRILLAR razrežite tako, da bodo primerno

veliki za namestitvev na tkiva pri endoskopskih posegih. Do dejanske namestitve sredstva za zaustavitev krvavitve endoskopski poseg izvajate kot običajno. Sredstvo za zaustavitev krvavitve SURGICEL FIBRILLAR primate na enem koncu. Z enakomernim potegom nazaj tkanino povlecite v operacijski kanal dokler ni trdno pritrjena na konec laparoscopa.

Figure 2.A. Laparoskop ponovno namestite v trebušno votlino pacienta skozi cevko in ga namestite nad področje, kamor želite namestiti sredstvo za zaustavitev krvavitve. Instrument, na katerega je nameščeno sredstvo za zaustavitev krvavitve, počasi porinite v trebušno votlino.

Figure 2.B. Če instrument uporabljate na tudi na drugem in/ali tretjem pomožnem področju, lahko sredstvo ponovno namestite na instrument in položite na krvavitev.

## Neprijetne reakcije

- Nekateri zdravstveni institucije so poročale o "inkapsulaciji" tekočin in reakcijah tkiva na tuje.
- Obstajajo poročila, da je sredstvo za zaustavitev krvavitve SURGICEL FIBRILLAR, ki je bilo uporabljeno kot obveza med vaskularnimi posegi, vplivalo na zoženje žil. Čeprav ni bilo dokazano, da je bilo zoževanje žil neposredno povezano z uporabo sredstva za zaustavitev krvavitve SURGICEL FIBRILLAR, morate biti posebej pozorni, da sredstva, ki ga uporabljate kot obvezo, ne namestite preveč tesno.
- Ko je bilo sredstvo za zaustavitev krvavitve SURGICEL FIBRILLAR uporabljeno v, okoli ali v bližini odprtih v kosteh, v bližini področij kostnega hrustanca, hrbtnjače ali optičnega živčevja in hiazma, je bilo poročano o paralizi in poškodbah živčevja. Čeprav se večina poročil nanaša na posege s področja laminektomije, so zdravniki o paralizi poročali tudi v povezavi z ostalimi posegi. V povezavi z izvajanjem kirurškega posega na raztrganinah sprednjega levega dela lobanje, je bilo po uporabi sredstva za zaustavitev krvavitve SURGICEL FIBRILLAR, ki je bilo nameščeno v sprednjo lobanjsko votlino, poročano o slepoti (Glej Opozorila in Varnostni dobav).
- Zdravniki so poročali tudi o možnem podaljševanju drenaže pri odstranjevanju žolčnika in o težavah pri uriniranju preko uretre po odstranitvi prostate. Poleg tega so zdravniki poročali tudi o primeru zamašitve uretre po resekciji ledvice, kjer so morali izvesti post-operativno vstavev katetra.
- Obstajajo občasna poročila o o "žgočem" in "pekočem" občutki in kihanju, ko so sredstvo za zaustavitev krvavitve SURGICEL FIBRILLAR uporabili kot obvezo pri krvavitvah nosu. Tovrstni občutki so najverjetnejše posledica nizke stopnje pH v sredstvu za zaustavitev krvavitve.
- O žgočem občutku je bilo poročano tudi, ko je bilo sredstvo za zaustavitev krvavitve SURGICEL FIBRILLAR uporabljeno po odstranitvi nosnega polipa in po odstranitvi hemoroidov. Prav tako je bilo o glavobolu, žgočem in pekočem občutku ter kihanju poročano tudi pri zaustavitvi krvavitve iz nosu in ostalih rinoloških posegih. Poročano je bilo tudi o pekočem občutku, ko je bilo sredstvo za zaustavitev krvavitve SURGICEL FIBRILLAR nameščeno na površinske rane (gnojenje krčnih žil, odstranjevanju brazgotin, in darovalna mesta).

## Doziranje in uporaba

Pri odstranjevanju sredstva za zaustavitev krvavitve SURGICEL FIBRILLAR iz njegovega sterilnega zavoja, morate upoštevati navodila za ravnanje s sterilnimi sredstvi. Najmanjšo možno količino sredstva za zaustavitev krvavitve SURGICEL FIBRILLAR, ki ga lahko razrežete na ustrezno velike kose, položite na krvavečo površino ali ga trdno pritisnite na tkivo, dokler se krvavitev ne zaustavi.

Potrebna količina sredstva je odvisna od narave in jakosti krvavitve, ki jo želite zaustaviti. Učinek sredstva za zaustavitev krvavitve SURGICEL FIBRILLAR na zaustavitev krvavitve je še boljši, če uporabite suho sredstvo. Proizvajalec ne priporoča vlaženja tkanine z vodo ali fiziološko solno raztopino.

## Shranjevanje in rok uporabnosti

Sredstvo za zaustavitev krvavitve SURGICEL FIBRILLAR v originalni embalaži hranite pri nadzorovani temperaturi (15°C-30°C). Sredstva ne izpostavljajte neposredni sončni svetlobi.

Sredstva ne uporabljajte, če je posamezna embalaža poškodovana/odprta. Ne sterilizirajte ponovno. Dobavljeno sredstvo za zaustavitev krvavitve SURGICEL FIBRILLAR je na voljo sterilno v originalnem pakiranju in v različnih velikostih.

Končni rok uporabe tega izdelka je natisnjen na embalaži. Sredstva za zaustavitev krvavitve SURGICEL FIBRILLAR ne uporabljajte po preteku tega datuma.

## **LV** Apraksts

SURGICEL\* FIBRILLAR Absorbable Haemostat līdzeklis ir sterils, uzsūcošs, šķiedrains materiāls, izgatavots no kontrolēti oksidētas reģenerētas celulozes. Audums ir balts ar bāli dzeltenu nokrāsu, un tam ir vāja, karamelai līdzīga smarža. Tas ir izturīgs un nespurojas šujot vai griežot. Tas ir stabils un var tikt uzglabāts istabas temperatūrā. Ar laiku var rasties nelielas krāsas izmaiņas, bet tas neietekmē tā kvalitāti.

Produkta šķiedrainā forma atļauj ķirurgam ar spailēm satvert jebkādu SURGICEL FIBRILLAR Haemostat daudzumu, kas nepieciešams, lai nodrošinātu hemostāzi tieši asiņošanas vietā. Tas to padara ērtu lietošanai grūti aizsniedzamās vai neregulāras formas asiņošanas vietās. Lai gan ir viegli atdalīt nepieciešamo SURGICEL FIBRILLAR Haemostat daudzumu no visa apjoma, daļa šķiedru turpina saistīties cita ar citu un pielietošanu asiņojošās vietās ir viegli kontrolēt. Nenotiek neparedzēta materiāla izkliedēšana operācijas laikā.

### **Iedarbība**

SURGICEL FIBRILLAR Haemostat darbība asinsreces pastiprināšanā nav līdz galam skaidra, tomēr liekas, ka darbības mehānisma pamatā ir fizikālās īpašības nevis normālā fizioloģiskā asinsreces mehānisma pastiprināšana. Pēc SURGICEL FIBRILLAR Haemostat piesātināšanas ar asinīm tas pārvēršas brūnganā vai melnā želejveida masā, kas palīdz recekļa veidošanā, tādējādi kalpojot kā asinsreces palīgs lokālās asiņošanas apturēšanai. Lietojot SURGICEL FIBRILLAR Haemostat pareizi, minimālos daudzumos, tas no ievietošanas vietas uzsūcas gandrīz bez nekādas audu reakcijas. Absorbēcija ir atkarīga no dažādiem faktoriem, tajā skaitā izmantotā apjoma, asins piesātinājuma pakāpes un audu slāņa.

Papildus savām vietējām hemostātiskām īpašībām SURGICEL FIBRILLAR Haemostat ir *in vitro* baktericīda darbība pret plašu spektru gram pozitīvo un gram negatīvo mikroorganismu, ieskaitot aerobus un anaerobus. SURGICEL FIBRILLAR Haemostat *in vitro* ir baktericīda darbība pret šādiem mikroorganismu celmiem:

*Staphylococcus aureus*

*Staphylococcus epidermidis*

*Micrococcus luteus*

*Streptococcus pyogenes* A grupa

*Streptococcus pyogenes* B grupa

*Streptococcus salivarius*

*Branhamella catarrhalis*

*Escherichia coli*

*Klebsiella aerogenes*

*Lactobacillus* sp.

*Salmonella enteritidis*

*Shigella dysenteriae*

*Serratia marcescens*

meticilinrezistentais *Staphylococcus aureus* (MRSA)

penicilinrezistentais *Streptococcus pneumoniae* (PRSP)

vankomicinrezistentais *Enterococcus* (VRE)

meticilinrezistentais *Staphylococcus epidermidis* (MRSE)

*Bacillus subtilis*

*Proteus vulgaris*

*Corynebacterium xerosis*

Mikrobaktērija *phlei*

*Clostridium tetani*

*Clostridium perfringens*

*Bacteroides fragilis*

*Enterococcus*

*Enterobacter cloacae*

*Pseudomonas aeruginosa*

*Pseudomonas stutzeri*

*Proteus mirabilis*

Pētījumi ar dzīvniekiem parādījuši, ka SURGICEL FIBRILLAR Haemostat pretēji citiem hemostatiskiem līdzekļiem neveicina eksperimentālas infekcijas. Tomēr SURGICEL FIBRILLAR Haemostat nav alternatīva sistēmiski lietojamiem ārstnieciskiem vai profilaktiskiem antimikrobiem līdzekļiem.

Tomēr SURGICEL FIBRILLAR Haemostat var tikt lietots dažādās ķirurģijas nozarēs, piemēram, sirds un asinsvadu ķirurģijā, pie hemoroidektomijas, asinsvadu protēžu ievietošanas, biopsijām, plaušu operācijām, sejas un žokļa operācijām, kuņģa rezekcijas, kakla un deguna operācijām, aknu un žultspūšļa operācijām, ginekoloģiskām operācijām, krūšu un vēdera simpatektomijām, neiroķirurģijā, īpaši smadzeņu operācijās, pie vairogdziedzera operācijām, ādas transplantācijas, kā arī virspusēju ievainojumu ārstēšanā.

### **Indikācijas**

SURGICEL FIBRILLAR Hemostats ir izmantojams ķirurģiskās manipulācijās kā papildinājums kapilāru, venozu un mazu arteriālu asinsizplūdumu kontrolēšanai, kad ligatūra vai citas vispārpieņemtas kontroles metodes nav praktiskas vai iedarbīgas. SURGICEL FIBRILLAR Haemostat var tikt sagriezts attiecīgos izmēros lietošanai endoskopiskās procedūrās.

### **Kontrindikācijas**

- Lai gan tampons un vate reizēm ir medicīniski nepieciešami, SURGICEL FIBRILLAR Hemostats nedrīkst tikt izmantots šādā veidā, ja vien tas tiek noņemts pēc hemostāzes iestāšanās. (skatīt Bridinājums un Lietošanas Piesardzība)
- SURGICEL FIBRILLAR Hemostatu nedrīkst izmantot implantēšanai kaulu problēmu gadījumos, piemēram, lūzmos, jo pastāv kaulu rumbējuma veidošanās iespēja, kā arī teorētiska cistas veidošanās iespēja.
- Izmantojot SURGICEL FIBRILLAR Hemostatu hemostāzes ieguvei kaula atverēs, ap atverēm vai atveru tuvumā, kaula robežzonās, muguras smadzenēs vai redzes nervā, vai šķērsojumā, tas pēc hemostāzes iestāšanās vienmēr jānoņem, jo hemostats piebriestot un var radīt nevēlamu spiedienu.
- SURGICEL FIBRILLAR Hemostatu nevar izmantot, lai kontrolētu lielu artēriju asiņošanu.
- SURGICEL FIBRILLAR Hemostatu nevar izmantot nehemorāģiskām serozām izdalošām virsmām, jo ķermeņa šķidrums (ne visas asinis), piemēram, serums, nereaģē ar SURGICEL FIBRILLAR Hemostatu un neaptur asinis kā vajadzīgs.



- SURGICEL FIBRILLAR Hemostatu nevar izmantot kā adhēzijas novērsēju.

## Bridinājumi

- SURGICEL FIBRILLAR Hemostats ir sterils un to kā materiālu nevar sterilizēt ar autoklāvu vai etilēnoksidu.
- SURGICEL FIBRILLAR Hemostats nav atkārtoti jāsterilizē.
- SURGICEL FIBRILLAR Hemostats nav paredzēts kā rūpīgas ķirurģiskās iejaukšanās aizvietoņš un šuvju un ligatūru atbilstošas izmantošanas aizvietoņš.
- Inficētas brūces ar SURGICEL FIBRILLAR Haemostat slēgšana bez drenāžas var radīt komplikācijas un no tā ir jāizvairās.
- SURGICEL FIBRILLAR Haemostat hemostātiskais efekts ir lielāks, to lietojot sausu, tāpēc to nedrīkst samitrināt ar ūdeni vai sāļu šķīdumu.
- SURGICEL FIBRILLAR Haemostat nedrīkst tikt piesātināts ar dezinfektiem vai citiem materiāliem, piemēram, buferšķīdumiem vai hemostātiskām vielām. Tā hemostātiskais efekts nepastiprinās, pievienojot trombinu, kā aktivitāte tiek nomākta produkta zemā pH dēļ.
- Lai gan SURGICEL FIBRILLAR Haemostat var tikt atstāts, ja nepieciešams, tomēr tiek ieteikts to izņemt, kad sasniegta hemostāze. Tas vienmēr jāizņem pēc lietošanas ap vai kaula atveru iekšpusē, vietās, kas norobežotas ar kaulu, spinālā kanālā un/vai ap redzes nervu un hiazmu, neatkarīgi no procedūras veida, jo SURGICEL FIBRILLAR Haemostat izplešoties var radīt spiedienu, radot paralīzi un/vai nervu bojājumu.
- SURGICEL FIBRILLAR Haemostat pārvietošana iespējama atkārtotas tamponēšanas, tālāku intraoperatīvu manipulāciju, lavāžas, pastiprinātas elpošanas u.c. gadījumos. Ir ticis ziņots, ka tādu procedūru kā lobektomijas, laminektomijas un galvaskausa frontālu lūzumu un daivas bojājumu operācijas laikā atstātais SURGICEL FIBRILLAR Haemostat migrējis no lietošanas vietas uz kaulu atverēm ap mugurkaulu, radot paralīzi un uz kreiso orbītu, izraisot akilumu. Kamēr šie ziņojumi nav apstiprināti, ārstiem jāpievērš īpaša uzmanība **neatkarīgi no ķirurģiskās procedūras veida**, lai apspriestu SURGICEL FIBRILLAR Haemostat izņemšanu pēc hemostāzes sasniegšanas.
- Lai gan SURGICEL FIBRILLAR Haemostat ir baktericīds pret plašu spektru patogēno mikroorganismu, tas nav paredzēts sistēmiski lietojamo ārstniecisko vai profilaktisko antimikrobo līdzekļu aizstāšanai, lai kontrolētu un novērstu pēcoperācijas sarežģījumus.

## Lietošanas piesardzība

- Lietojiet tikai tik daudz SURGICEL FIBRILLAR Haemostat, cik nepieciešams hemostāzei, turot to stingri, līdz asiņošana apstājas. Izņemiet visu atlikumu pirms brūces slēgšanas, lai sekmētu uzsūkšanos un samazinātu iespējamo svešķermeņa reakciju.
- Lietojiet minimālu daudzumu SURGICEL FIBRILLAR Haemostat uroloģiskās procedūrās, un jāievēro īpaša piesardzība, lai ar masām, kas pārvietojas, netiktu aizsprostots urinizvadkanāls, urīnvads vai katetrs.
- Tā kā SURGICEL FIBRILLAR Haemostat uzsūkšanās var tikt samazināta ķīmiski apstrādātās vietās, tā lietošanai nevajadzētu notikt pirms sudraba nitrāta vai citu piededzinošu ķīmisku vielu lietošanas.
- Ja SURGICEL FIBRILLAR Haemostat tiek lietots, lai islaicīgi izklātu plašu brūču dobumus, tas nedrīkst pārklāt ādu. Tas jāizņem no atvērtām brūcēm ar spailēm vai skalojot ar sterilu ūdeni vai sāls šķīdumu pēc asiņošanas apturēšanas.
- Jāievēro arī piesardzība otolaringoloģiskās ķirurģiskās iejaukšanās laikā, lai nodrošinātu, ka neviens materiāls nav aspirēts pacientā. (Piemēri: asinsizplūduma kontrole pēc tonsilektomijas un deguna asiņošanas kontrole).
- Jāpievērš uzmanība, lai SURGICEL FIBRILLAR Haemostat netiktu apliecīts pārāk cieši, lietojot asinsvadu ķirurģijā (skatīt Blakusefektu)

## Lietošanas norādījumi endoskopiskajām procedūrām:

(skatīt 1. un 2.zīmējumu 04 lapā).

*Figure 1. SURGICEL FIBRILLAR Haemostat jāzagriež attiecīga izmēra gabalos lietošanai endoskopiskās procedūrās. Standarta endoskopiskās procedūras jāveic līdz uzsūcoša hemostātiska līdzekļa lietošanai. Satveriet SURGICEL FIBRILLAR Haemostat aiz viena stūra. Ar spēcīgu atpakaļvirziena kustību ievielciet materiālu operācijas kanālā, līdz tas tiek ietverts laparoskopa galā.*

*Figure 2.A. Ievietojiet laparoskopu atpakaļ pacientā caur kanālu un novietojiet laparoskopu virs vietas, kur veicama aplikācija. Lēnām iestumiet satverošo instrumentu un materiālu dobumā.*

*Figure 2.B. Izmantojot satverošos instrumentus otrajā un/vai trešajā palīgvietā, var ievietot un pārvietot materiālu uz vietas.*

## Blaknes

- Ir ziņots par šķīduma un svešķermeņu reakciju „iekapsulēšanos”.
- Ir ziņots par stenoziem efektiem, ja SURGICEL FIBRILLAR Hemostats ir ticis piemērots kā apvalks sirds un asinsvadu ķirurģiskās iejaukšanās laikā. Lai gan nav pierādīts, ka stenoze bija tieši attiecināma uz SURGICEL FIBRILLAR Hemostata izmantošanu, ir jābūt uzmanīgiem un nebūtu jāpiemēro materiāls tik cieši kā iesaiņojuma materiāls.
- Par paralīzi un nervu bojājumiem ziņots, kad SURGICEL FIBRILLAR Hemostats tika izmantots ap kaula atveri, kaula atverē un atveres tuvumā, kaula robežzonās, muguras smadzenēs un/vai redzes nervā un šķērsojumā. Vairums ziņojumu ir saistīti ar laminektomiju, bet ir saņemti arī ziņojumi par paralīzi saistībā ar citām procedūrām. Par akilumu ziņots saistībā ar saplošitas kreisās pieres daivas ķirurģisko operāciju, kad SURGICEL FIBRILLAR Hemostats tika ievietots priekšējā galvaskausa bedrītē (skatīt Bridinājumi un Lietošanas piesardzība).
- Ir ziņots par iespējamu novadišanas pagarināšanu holecistektomiju gadījumos un urinēšanas problēmām pa urinizvadkanālu pēc prostatas ektomijas. Ir bijis viens ziņojums par bloķētu urīnvadu pēc nieres

rezekcijas, kuras laikā bija nepieciešama pēcoperācijas kateterizācija.

- Reizēm ir sastopami ziņojumi par „dedzinošām” un „dzēlīgām” sajūtām un šķaudišanu, izmantojot SURGICEL FIBRILLAR Hemostatu kā tamponu deguna asiņošanas gadījumā, bet jāuzskata, ka tas ir izstrādājuma zemā pH līmeņa dēļ.
- Par dedzināšanu tika ziņots, kad SURGICEL FIBRILLAR Hemostats tika piemērots pēc deguna polipa izņemšanas un pēc hemoroidu operācijas. Galvassāpes, dedzināšana, durstišana un šķaudišana pie deguna asiņošanas un citām procedūrām deguna dobumā. Durstišana, lietojot SURGICEL FIBRILLAR Haemostat uz virspusējām brūcēm (varikoziem izčūlojumiem, ādas nobrāzumiem, un donora vietā)

### **Dozēšana un lietošana**

Izņemot SURGICEL FIBRILLAR Haemostat no sterilā iepakojuma, jāievēro sterila tehnika. Minimāls daudzums SURGICEL FIBRILLAR Haemostat pareizajā lielumā tiek aplicēts asiņošanas vietā un stingri turēts pret audiem, līdz sasniegta hemostāze.

Nepieciešamais daudzums ir atkarīgs no pārtraucamā asinsizplūduma veida un intensitātes.

SURGICEL FIBRILLAR Haemostat hemostatiskais efekts vislabāk izpaužas, to lietojot sausu.

Materiāla samitrināšana ar ūdeni vai fizioloģisko šķīdumu nav ieteicama.

### **Uzglabāšana**

SURGICEL FIBRILLAR Haemostat jāuzglabā oriģinālajā iepakojumā sausā vietā, konstantā temperatūrā (15°C-30°C) un jāpasargā no tiešas saules gaismas.

Nelietojiet, ja iepakojums ir bojāts/atvērts. Nepārsterilizēt. SURGICEL FIBRILLAR Haemostat tiek piegādāts sterils oriģinālā iepakojumā dažādos izmēros.

Medikamenta lietošanas termiņš norādīts uz iepakojuma. Nelietojiet SURGICEL FIBRILLAR Haemostat pēc šī datuma.

## LT Aprašas

Sugeriamasis hemostatikas SURGICEL® FIBRILLAR yra sterili sugeriamoji pluoštinė medžiaga, pagaminta perdirbtos celiuliozės kontroliuojamosios oksidacijos būdu. Audinys yra baltos spalvos su šviesiai gelsvu atspalviu, o jo vos juntamas kvapas primena karamelę. Jis yra tvirtas, tad jį susiuvus arba nukirpus nelieka jokių atspursių kraštų. Jo cheminė sudėtis yra nekintanti, todėl jis laikytinas kontroliuojamoje kambario temperatūroje. Laikui bėgant jis gali šiek tiek pabulkti, tačiau tai neturi jokios įtakos jo savybėms. Pluoštinė gaminio forma leidžia chirurgui su chirurginėmis žnyplėmis suimti bet kokį kiekį hemostatiko SURGICEL FIBRILLAR kraujavimui ypač kraujuojančioje vietoje sustabdyti. Su juo patogiu pasiekti sunkiai prieinamas arba netaisyklingos formos kraujuojančias vietas. Nors reikiamas kiekis hemostatiko SURGICEL FIBRILLAR lengvai išsitraukia iš visos pakuotės, grupė atskirų pluoštų ir toliau išlieka sukibę vienas su kitu, todėl šį hemostatiką lengva uždėti. Nepageidaujamo medžiagos išsisklaidymo už operuojamos vietos nepasitaiko.

## Veikimas

Sugeriamojo hemostatiko SURGICEL FIBRILLAR veikimo principas, t. y. kraujo krešėjimo pagreitinimas, nėra iki galo išsiaiškintas, tačiau tai yra labiau fizinis poveikis nei normalaus fiziologinio krešėjimo alteracija. Kai į hemostatiką SURGICEL FIBRILLAR įsigeria pakankamai kraujo, jis išsipučia ir pavirsta rusva arba juoda drebučių pavidalo mase, kuri skatina kraujo krešėjimą. Tai pagalbinė priemonė, padedanti sustabdyti vietinį kraujavimą. Tinkamai ir mažais kiekiais naudojant hemostatiką SURGICEL FIBRILLAR, implantacijos vietose jis absorbuoja iš esmės nesukeldamas jokios audinio reakcijos. Sugeriamumo lygį lemia keli veiksniai, tarp jų ir naudojamas medžiagos kiekis, kraujo įsigėrimo laipsnis bei audinio sluoksnis.

Hemostatikas SURGICEL FIBRILLAR ne tik padeda sustabdyti vietinį kraujavimą, bet ir pasižymi baktericidinėmis *in vitro* savybėmis: jis naikina įvairius gramteigiamus ir gramneigiamus organizmus, įskaitant aerobus ir anaerobus. Hemostatikas SURGICEL FIBRILLAR baktericidinį poveikį *in vitro* turi šioms organizmų rūšims:

*Staphylococcus aureus*

*Staphylococcus epidermidis*

*Micrococcus luteus*

A grupės *Streptococcus pyogenes*

B grupės *Streptococcus pyogenes*

*Streptococcus salivarius*

*Branhamella catarrhalis*

*Escherichia coli*

*Klebsiella aerogenes*

*Lactobacillus sp.*

*Salmonella enteritidis*

*Shigella dysenteriae*

*Serratia marcescens*

metililiniui atspariems *Staphylococcus aureus* (MRSA)

penicilinui atspariems *Streptococcus pneumoniae* (PRSP)

vankomicinui atspariems *Enterococcus* (VRE)

metililiniui atspariems *Staphylococcus epidermidis* (MRSE)

*Bacillus subtilis*

*Proteus vulgaris*

*Corynebacterium xerosis*

*Mycobacterium phlei*

*Clostridium tetani*

*Clostridium perfringens*

*Bacteroides fragilis*

*Enterococcus*

*Enterobacter cloacae*

*Pseudomonas aeruginosa*

*Pseudomonas stutzeri*

*Proteus mirabilis*

Atlikti tyrimai su gyvūnais rodo, kad hemostatikas SURGICEL FIBRILLAR, priešingai nei kitos kraują stabdančios priemonės, nepadidina infekcijos rizikos. Tačiau hemostatikas SURGICEL FIBRILLAR nėra sisteminiam gydymui arba profilaktikai taikomų antimikrobinų priemonių alternatyva.

Hemostatikas SURGICEL FIBRILLAR gali būti naudojamas daugelyje chirurgijos sričių - atliekant širdies ir kraujagyslių, hemoroidektomijos operacijas, kraujagyslių implantaciją, biopsiją, plaučių operacijas, veido ir žandikaulio operacijas, skrandžio rezekciją, gerklės arba nosies, kepenų ir tulžies pūslės operacijas, ginekologines operacijas, krūtinės ląstos ir pilvo simpatektomiją, taip pat neurochirurgijos srityje, ypač atliekant galvos smegenų operacijas, taip pat atliekant skydliaukės, odos persodinimo operacijas, gydant paviršines žaizdas.

## Indikacijos

Hemostatikas SURGICEL FIBRILLAR naudojamas atliekant chirurgines procedūras kaip pagalbinė priemonė kapiliariniam, veniniam ir nedideliame arteriniam kraujavimui sustabdyti, kuri taikoma tais atvejais, kai nepraktiška arba neveiksminga naudoti ligatūrą arba kitus įprastus kraujavimo stabdymo metodus. Atliekant endoskopines procedūras, galima atkirpti reikiamą dydžio hemostatiko SURGICEL FIBRILLAR gabalą.

## Kontraindikacijos

- Nors medicininiu požiūriu kartais būtina naudoti vatą ir tamponus, tačiau hemostatikas SURGICEL FIBRILLAR neturėtų būti naudojamas šiam tikslui, nebent sustabdžius kraujavimą jis yra pašalinamas. (Žr. „Įspėjimai“ ir „Atsargumo priemonės“.)
- Hemostatikas SURGICEL FIBRILLAR nenaudotinas defektuotų kaulų implantacijai, pavyzdžiui, lūžių atveju, nes gali trukdyti kaulėjimo procesui, be to, yra teorinė cistos susidarymo tikimybė.
- Hemostatiką SURGICEL FIBRILLAR naudojant kraujavimui sustabdyti netoli, aplink ar viduje kaulo angos, izoliuotų kaulo vietų, stuburo smegenų arba regos nervo ir kryžmės, jį visuomet reikia pašalinti, kai kraujavimas liaujasi, nes padidėjęs jis gali pradėti spausti ir sukelti nepageidaujamų reiškinių.

- Hemostatikas SURGICEL FIBRILLAR nenaudotinas esant smarkiam arteriniam kraujavimui.
- Hemostatikas SURGICEL FIBRILLAR nedėtinamas ant nekraujuojančių paviršių, t. y. ant tų, iš kurių sunkiasi į serumą panašus skystis, bet ne kraujas, nes iš organizmo išsiskiriantys skysčiai, kitaip nei kraujas, pavyzdžiui, serumas, nereaguoja su hemostatiku SURGICEL FIBRILLAR, todėl nėra užtikrinamas tinkamas sugeriamumo poveikis.
- Hemostatikas SURGICEL FIBRILLAR nenaudotinas kaip nuo prilipimo sauganti priemonė.

## Įspėjimai

- Hemostatikas SURGICEL FIBRILLAR yra tiekiamas įpakuotas į sterilius pakuotes. Ši kraujavimą stabdanti priemonė pagaminta iš medžiagos, kuri nepritaikyta sterilizacijai autoklave arba naudojant etileno oksidą, taigi hemostatiko SURGICEL FIBRILLAR negalima sterilizuoti antrą kartą.
- Hemostatikas SURGICEL FIBRILLAR neskirtas naudoti atliekant kruopštumo reikalaujančias operacijas kaip siūlų ir ligatūrų pakaitalas.
- Uždėjus hemostatiką SURGICEL FIBRILLAR ant užkrėstos žaizdos be drenažo, gali kilti komplikacijų. Tokios praktikos reikėtų vengti.
- Hemostatiko SURGICEL FIBRILLAR poveikis yra didesnis, kai jis dedamas sausas, todėl jo nereikia sudrėkinti vandeniu arba fiziologiniu tirpalu.
- Hemostatiko SURGICEL FIBRILLAR negalima impregnuoti antiinfekcinėmis ir kitomis medžiagomis, pavyzdžiui, buferinėmis arba kraujavimą stabdančiomis medžiagomis. Trombinas hemostatinio poveikio nesustiprina - jo veikimą susilpnina žemas gaminio pH..
- Nors hemostatikas SURGICEL FIBRILLAR esant reikalui gali likti *in situ*, tačiau sustabdžius kraujavimą patariama jį iš karto nuimti. Hemostatikas SURGICEL FIBRILLAR **visuomet** turi būti nuimtas, jei buvo uždėtas netoli, aplink arba viduje kaulo angos, izoliuotų kaulo vietų, stuburo smegenų ir/arba regos nervo bei kryžmės, nepriklausomai nuo chirurginės operacijos pobūdžio, nes padidėjęs jis gali pradėti spausiti ir sukelti paralyžį ir/arba pažeisti nervą. Hemostatikas SURGICEL FIBRILLAR gali būti pašalintas jį pakeičiant, toliau taikant vidaus aktyviąją manipuliaciją, išplovimo būdu, stipraus kvėpavimo ir pan. būdais. Gauta pranešimų apie tai, jog atliekant tokias procedūras kaip lobektomija bei laminektomija ir tvarkant kaktinės kaukolės lūžį bei įplėštą organo skiltį paciento organizme paliktas hemostatikas SURGICEL FIBRILLAR pasislinko iš uždėjimo vietos, pateko į kaulo angą prie stuburo smegenų ir sukėlė paralyžį. Kitu atveju, paliktas akiduobėje, jis tapo aklumo priežastimi. Nors šie pranešimai nėra patvirtinti, gydytojai, **nepriklausomai nuo chirurginės procedūros pobūdžio**, turėtų ypač gerai apsvarstyti būtinybę pašalinti hemostatiką SURGICEL FIBRILLAR sustabdžius kraujavimą.
- Nors hemostatikas SURGICEL FIBRILLAR turi baktericidinių savybių ir naikina daugelį patogeninių mikroorganizmų, jis negali pakeisti sisteminiam gydymui arba profilaktikai skiriamų antimikrobinų medžiagų, siekiant išvengti infekcijų arba jas pašalinti pooperaciniu laikotarpiu.

## Atsargumo priemonės

- Naudokite tiek hemostatiko SURGICEL FIBRILLAR, kiek yra būtina kraujavimui sustabdyti; jis tvirtai laikytinas atitinkamoje vietoje tol, kraujavimas liaujasi. Prieš chirurginį vietos užvėrimą pašalinkite visus likučius, kad lengviau susigertų kraujas ir būtų išvengta šalutinės reakcijos dėl patekusio svetimkūnio.
- Atliekant urologines procedūras, naudotinas minimalus hemostatiko SURGICEL FIBRILLAR kiekis; turėtų būti imtasi visų atsargumo priemonių, kad pasišalinant gaminio dalims neužsikimštų šlaplė, šlapimtakis arba kateteris.
- Kadangi hemostatiko SURGICEL FIBRILLAR sugeriamumo savybės gali susilpnėti cheminiu būdu pridegintose vietose, jis neturėtų būti dedamas panaudojus sidabro nitratą ar kitus cheminius kaustikus.
- Jei hemostatikas SURGICEL FIBRILLAR yra naudojamas laikinai, siekiant padengti plačiai atvertos žaizdos ertmę, jis turėtų būti dedamas taip, kad neuždengtų odos kraštų. Sustabdžius kraujavimą, šį hemostatiką iš atvirų žaizdų galima išimti chirurginėmis žnyplėmis arba plaunant steriliu vandeniu ar druskos tirpalu.
- Atliekant otorinolaringologines operacijas, turi būti imamasi visų atsargumo priemonių, kad pacientas neįkvėptų medžiagos dalelių (pavyzdžiui, stabdant kraujavimą po atliktos tonzilektomijos arba nosies kraujavimą).
- Atliekant kraujagyslių operaciją, turėtų būti stengiamasi pernelyg nesuspausti hemostatiko SURGICEL FIBRILLAR, kai jis naudojamas kaip plėvelė (žr. „Nepageidaujami reiškiniai“).

## Nurodymai dėl naudojimo atliekant endoskopines procedūras:

(žr. 04 puslapyje pateiktus 1 ir 2 paveikslėlius).

*Figure 1* Hemostatikas SURGICEL FIBRILLAR turi būti atkirptas tokio dydžio, kad uždengtų visą atitinkamą kūno ertmę. Įprastos endoskopinės procedūros turėtų būti atliekamos iki sugeriamojo hemostatiko įdėjimo. Suimkite hemostatiką SURGICEL FIBRILLAR už vieno krašto. Tvirtai ir iš lėto įstumkite medžiagą į atvertą ertmę, kol ji atsidurs laparoskopu gale.

*Figure 2.A.* Uždėkite laparoskopą atgal ant paciento, įstatydami jį atgal virš norimo padengti ploto. Iš lėto įstumkite suspaudimo instrumentą ir medžiagą į ertmę.

*Figure 2.B.* Įstatyti ir įdėti medžiagą į vietą galima naudojant suspaudimo instrumentus antroje ir/arba trečiojoje papildomoje vietoje.

## Nepageidaujami reiškiniai

- Gauta pranešimų apie skysčių apdangalo susidarymą bei kilusias reakcijas dėl svetimkūnio.
- Užfiksuoti susiaurėjimo reiškiniai, kai hemostatikas SURGICEL FIBRILLAR buvo dedamas kaip plėvelė atliekant kraujagyslių operaciją. Nors nėra nustatyta, jog stenozę buvo tiesiogiai susijusi su hemostatiku SURGICEL FIBRILLAR, vis dėlto reikėtų stengtis smarkiai nesuspausti medžiagos ją vyniojant.

- Gauta pranešimų apie pacientus ištikusį paralyžių ir nervų pažeidimus, kurie buvo sukelti hemostatiką SURGICEL FIBRILLAR uždėjus netoli, aplink arba viduje kaulo angos, izoliuotų kaulo vietų, stuburo smegenų ir/arba regos nervo bei kryžmės. Daugiausia šių pranešimų yra susiję su laminektomijos procedūromis, o gauti pranešimai apie paralyžių yra susiję ir su kitomis procedūromis. Žinomi apakimo atvejai yra susiję su chirurginėmis įplėštos kairiosios kaktinės skilties procedūromis, kurias atliekant hemostatikas SURGICEL FIBRILLAR buvo uždėtas priekinėje kaukolės duobutėje (žr. „Ispėjimai“ ir „Atsargumo priemonės“).
- Pranešta apie galimą drenažo prolongaciją atliekant cholecistektomiją ir sunkų šlapimo pratekėjimą pro šlaplę atlikus prostatektomiją. Gautas vienas pranešimas apie užsikimšusį šlapimtakį po inkstų rezekcijos, kurią atliekant reikėjo panaudoti pooperacinį kateterį.
- Gauta nedaug pranešimų apie sukeltą deginimo bei dilginimo pojūtį ir čiaudulį, kai hemostatikas SURGICEL FIBRILLAR buvo naudojamas kaip tamponas epistaksės atveju; manoma, jog taip galėjo nutikti dėl gaminio žemo pH.
- Gautas pranešimas apie sukeltą deginimo pojūtį, kai hemostatikas SURGICEL FIBRILLAR buvo naudojamas pašalinus nosies polipus ir po hemoroidektomijos. Užfiksuoti galvos skausmo, deginimo, dilginimo ir čiaudėjimo reiškiniai, atsiradę epistaksės atveju bei atliekant kitas rinologines procedūras. Taip pat gauta pranešimų apie sukeltą dilginimo pojūtį, kai hemostatikas SURGICEL FIBRILLAR buvo uždėtas ant paviršinių žaizdų (išsiplėtusių opų, dermabrazijos atveju ir kraujo ėmimo vietose).

## **Dozavimas ir skyrimas**

Norint ištraukti hemostatiką SURGICEL FIBRILLAR iš sterilios pakuotės, būtina laikytis sterilumo metodų. Minimalus kiekis atitinkamo dydžio hemostatiko SURGICEL FIBRILLAR dedamas ant kraujuojančios vietos arba tvirtai laikomas prispaustas ant audinių, kol kraujavimas sustabdomas.

Naudojamas hemostatiko kiekis priklauso nuo kraujavimo pobūdžio ir intensyvumo. Didžiausią poveikį hemostatikas SURGICEL FIBRILLAR turi tuomet, kai jis yra sausas. Sudrėkinti medžiagą vandeniu ar fiziologiniu druskos tirpalu nerekomenduojama.

## **Laikymas ir galiojimo terminas**

Hemostatikas SURGICEL FIBRILLAR turi būti laikomas sausoje vietoje, reguliuojamos temperatūros (15°C-30°C) aplinkoje. Originalią pakuotę būtina saugoti nuo tiesioginių saulės spindulių.

Nenaudoti, jei kuri nors pakuotė yra pažeista arba atidaryta. Iš naujo nesterilizuoti. Hemostatikas SURGICEL FIBRILLAR tiekiamas steriliose įvairaus dydžio originaliose pakuotėse.

Data, iki kada tinkamas naudoti šis produktas, nurodyta ant pakuotės. Nenaudoti hemostatiko SURGICEL FIBRILLAR pasibaigus šiam terminui.

## **EE** Kirjeldus

SURGICEL\* FIBRILLAR Absorbable Haemostat on steriilne imav kiudmaterjal, mis on valmistatud regenereeritud tselluloosi kontrollitud oksüdeerimise teel. Kangas on valge, helekollase varjundiga ja nõrga karamellisarnase lõhnaga. Kangas on tugev ja seda saab õmmelda või lõigata ilma narmastamata. Kangas on stabiilne ja seda tuleb hoida toatemperatuuril. Vananedes võib tekkida kerge värvuse muutus, kuid see ei mõjuta toimet.

Toote kiuline struktuur võimaldab kirurgil haarata tangidega ükskõik millise koguse materjali SURGICEL FIBRILLAR Haemostat, mis on vajalik konkreetses veritsevas kohas hemostaasi tagamiseks. See võimaldab mugavat kasutamist raskesti ligipääsetavates või ebakorrapärase kujuga veritsuskohtades. Kuigi materjali SURGICEL FIBRILLAR Haemostat soovitud koguse väljatõmbamine pakendist on lihtne, jäävad valitud kiud omavahel seotuks ja neid on võimalik hõlpsasti kasutada verejooksu peatamiseks. Soovimatut pudenemist üle kogu operatsioonivälja ei esine.

## Toimed

Toimemehhanism, mis selgitaks materjali SURGICEL FIBRILLAR Haemostat kiirendavat mõju hüübimisele, ei ole täielikult selge, kuid tundub, et tegemist on pigem füsioloogilise teguriga kui muutustega normaalses füsioloogilises hüübimismehhanismis.

Pärast seda, kui SURGICEL FIBRILLAR Haemostat on verega küllastunud, paisub ta pruunikaks või mustaks želatiinitaoliseks massiks, mis aitab moodustada hüüvet. Seega töötab kangas hemostaatilise lisandina paiksete verejooksude kontrollimisel. Õigel kasutamisel minimaalsetes kogustes imendub SURGICEL FIBRILLAR Haemostat implanteerimiskohtadest praktiliselt ilma mingi kooreaktsioonita. Imendumine sõltub mitmetest teguritest, sealhulgas kasutatud kogusest, verega küllastatuse astmest ja aluskoest.

Lisaks oma paiksetele hemostaatilistele omadustele toimib SURGICEL FIBRILLAR Haemostat *in vitro* bakteriitsidelt laia valiku gram-positiivsete ja gramnegatiivsete organismide, sealhulgas aeroobide ja anaeroobide suhtes. SURGICEL FIBRILLAR Haemostat on bakteriitsidne *in vitro* järgmiste liikide tüvede suhtes.

*Staphylococcus aureus*

*Staphylococcus epidermidis*

*Micrococcus luteus*

*Streptococcus pyogenes* grupp A

*Streptococcus pyogenes* grupp B

*Streptococcus salivarius*

*Branhamella catarrhalis*

*Escherichia coli*

*Klebsiella aerogenes*

*Lactobacillus* sp.

*Salmonella enteritidis*

*Shigella dysenteriae*

*Serratia marcescens*

metitsilliinresistentne *Staphylococcus aureus* (MRSA)

penitsilliinresistentne *Streptococcus pneumoniae* (PRSP)

vankomütsiinresistentne *Enterococcus* (VRE)

metitsilliinresistentne *Staphylococcus epidermidis* (MRSE)

*Bacillus subtilis*

*Proteus vulgaris*

*Corynebacterium xerosis*

*Mycobacterium phlei*

*Clostridium tetani*

*Clostridium perfringens*

*Bacteroides fragilis*

*Enterococcus*

*Enterobacter cloacae*

*Pseudomonas aeruginosa*

*Pseudomonas stutzeri*

*Proteus mirabilis*

Loomuuringud on näidanud, et SURGICEL FIBRILLAR Haemostat ei soodusta erinevalt teistest hemostaatikumidest eksperimentaalset nakkust. Siiski ei ole SURGICEL FIBRILLAR Haemostat alternatiiviks süsteemselt manustatavatele terapeutilistele või profülaktilistele antimikroobsetele ravimitele.

SURGICEL FIBRILLAR Haemostati saab kasutada paljudes kirurgias valdkondades, nt kardiovaskulaarkirurgias, hemorroidektoomia korral, veresooneproteeside implanteerimisel, biopsiate tegemisel, kopsuoperatsioonidel, näo- ja lõualuukirurgias, maoreseksioonidel, kurgu- või ninaoperatsioonidel, maksa ja sapipõie operatsioonidel, günekoloogilistel operatsioonidel, torakaalsete ja abdominaalsete sündpatektoomiade puhul, neurokirurgias, eriti ajuoperatsioonidel, kilpnäärmeoperatsioonidel, naha transplanteerimisel ja pindmiste vigastuste ravis.

## Näidustused

SURGICEL FIBRILLAR Haemostati kasutatakse lisandina kirurgilistel protseduuridel, et aidata kontrollida kapillaarset, venoosset ja väikest arteriaalset verejooksu juhul, kui ligeerimine või teised konventsionaalsed kontrollimeetodid on ebapraktilised või ebaefektiivsed. Materjali SURGICEL FIBRILLAR Haemostat on võimalik lõigata endoskoopilisteks protseduurideks sobiva suurusega tükkideks.

## Vastunäidustused

- Kuigi pakkimine või voltimine on mõnikord meditsiiniliselt vajalik, ei tohi SURGICEL FIBRILLAR Haemostati sel moel kasutada, välja arvatud juhul, kui Haemostat eemaldatakse pärast hemostaasi saavutamist. (Vaadake „Hoiatused ja ettevaatusabinõud“).
- SURGICEL FIBRILLAR Haemostati ei tohi kasutada implanteerimiseks luudefektidesse (luumurrud), sest see võib häirida kalluse formeerumist ja tekitada tsüsti moodustumise teoreetilise võimaluse.
- Kui SURGICEL FIBRILLAR Haemostati kasutatakse hemostaasi saavutamise eesmärgil luus olevate aukude sees, ümber või läheduses, luuliste piirete, seljaaju või nägemisnärvi ja kiasmi piirkonnas,

tuleb see alati eemaldada pärast hemostaasi saavutamist, sest Haemostat pundub ja võib avaldada soovimatut rõhku.

- SURGICEL FIBRILLAR Haemostati ei tohi kasutada verejooksude kontrollimiseks suurtest arteritest.
- SURGICEL FIBRILLAR Haemostati ei tohi kasutada mittehemorraagilistel seroosse sekreediga pindadel, sest muud kehavedelikud peale täisvere (seerumi) ei reageeri SURGICEL FIBRILLAR Haemostatiga rahuldava hemostaatilise efekti tekitamiseks.
- SURGICEL FIBRILLAR Haemostati ei tohi kasutada adhesiooni vältiva tootena.

## Hoiatused

- SURGICEL FIBRILLAR Haemostat tarnitakse steriilsena ja et see materjal ei sobi autoklaavimiseks või steriliseerimiseks etüleenoksiidiga, SURGICEL FIBRILLAR Haemostati ei tohi uuesti steriliseerida.
- SURGICEL FIBRILLAR Haemostat ei ole ette nähtud asendamata põhjalikumalt kirurgilist protseduuri ega õigete õmbluste ja ligatuuride kasutamist, kus see on vajalik.
- SURGICEL FIBRILLAR Haemostati sulgemine saastatud dreenimata haavasse võib tekitada tüsistusi ja seda tuleb vältida.
- SURGICEL FIBRILLAR Haemostati hemostaatiline toime on parem, kui seda aplitseerida kuivana, seepärast ei tohi seda niisutada vee või füsioloogilise lahusega.
- SURGICEL FIBRILLAR Haemostati ei tohi immutada nakkusevastaste ainete või teiste materjalidega nagu puhverdavad või hemostaatilised ained. Trombiini liisamine ei suurenda Haemostati hemostaatilist aktiivsust, trombiini aktiivsuse hävitab toote madal pH.
- Kuigi SURGICEL FIBRILLAR Haemostati võib vajadusel jätta *in situ*, on soovitatav see hemostaasi saavutamisel eemaldada. See tuleb **alati** eemaldada aplitseerimiskohast, kui Haemostati kasutati luus olevate aukude sees, ümber või läheduses, luuliste piirete, seljaaju ja/või nägemisnärvi ning kiasmi piirkonnas kirurgilise protseduuri tüübist sõltumata, sest SURGICEL FIBRILLAR Haemostat võib pundudes avaldada rõhku, mille tulemuseks on paralüüs ja/või närvikahjustus. SURGICEL FIBRILLAR Haemostati kohalt nihkumine võib tõenäoliselt toimuda näiteks ümberpakkimisel, operatsioonijärgsete täiendavate toimingute, loputuse, liiga suure intensiivsusega hingamise jms korral. On olemas teateid selle kohta, et sellised protseduuride nagu lobektomia, laminektomia ja kolju eesmistest murdude ning latseerunud sagara ravimisel võib patsiendi organismi pärast haava sulgemist jäetud SURGICEL FIBRILLAR Haemostat migreeruda paigalduskohast luus seljaaju ümbruses olevatesse avadesse, mille tulemuseks võib olla paralüüs; ning silmakoopasse jäetuna põhjustada pimedaksjäämist. Kuigi neid teateid ei saa kinnitada, peavad arstid olema eriti ettevaatlikud **kirurgilise protseduuri tüübist sõltumata** ja kaaluma SURGICEL FIBRILLAR Haemostati eemaldamist pärast hemostaasi saavutamist. Kuigi SURGICEL FIBRILLAR Haemostat on bakteritsiidne laia valiku patogeensete mikroorganismide suhtes, ei ole see ette nähtud asendamata süsteemselt manustatavaid terapeutilisi või profülaktilisi antimikrobiaalseid ravimeid postoperatiivsete nakkuste vältimiseks.

## Ettevaatusabinõud

- Kasutage ainult nii palju SURGICEL FIBRILLAR Haemostati, kui on vajalik hemostaasi jaoks. Hoidke Haemostati verejooksu lakkamiseni kindlalt paigas. Eemaldage liigne materjal enne haava kirurgilist sulgemist, sellega soodustate absorptsiooni ja minimeerite võimalust võõrkehareaktsioonide tekkeks.
- Uroloogiliste protseduuride puhul tuleb kasutada SURGICEL FIBRILLAR Haemostati minimaalseid koguseid ja olla ettevaatlik, et mitte sulgeda kohalt liikunud toote osadega kusiit, kusejuha või kateetrit.
- Et SURGICEL FIBRILLAR Haemostati imendumist on võimalik vältida keemiliselt kauteriseeritud piirkondades, ei tohi selle kasutamisele eelneada hõbenitraadi või teiste arme tekitavate kemikaalide manustamist.
- Kui SURGICEL FIBRILLAR Haemostati kasutatakse ajutiselt suurte avatud haavade õonte vooderdamiseks, tuleb see paigutada nii, et ta ei satuks naha äärtele. Samuti tuleb Haemostat eemaldada avatud haavast pärast verejooksu lõppemist tangidega või loputades steriilse vee/füsioloogilise lahusega.
- Ettevaatlik tuleb olla nina-kõrva-kurgukirurgias, sest patsient võib kasutatavat materjali sisse hingata. (Näited: verejooksu kontrollimine pärast tonsillektoomiat ja ninaverejooksu kontrollimine).
- Tuleb olla ettevaatlik, et mitte paigaldada SURGICEL FIBRILLAR Haemostati liiga tihedalt siis, kui seda kasutatakse mähkimiseks veresoontekirurgia protseduuride ajal (vaadake Kõrvaltoimed).

## Juhised kasutamiseks endoskoopiliste protseduuride korral:

(vaadake leheküljel 04 jooniseid 1 ja 2).

*Joonis 1. SURGICEL FIBRILLAR Haemostat tuleb endoskoopiliseks paigaldamiseks lõigata paraja suurusega tükkideks. Kuni imava hemostaatikumi kohale paigutamiseni tuleb kasutada standardseid endoskoopilisi protseduure. Haarake SURGICEL FIBRILLAR Haemostati ühest nurgast. Sujuva tahapoole suunatud liigutusega tõmmake materjal töökanalisse, kuni materjal asub laparoskoobi otsa sees.*

*Joonis 2.A. Viige laparoskoop hülsi kaudu tagasi patsiendi sisemusse ja asetage uuesti ala kohale, kuhu soovite hemostaatikut aplitseerida. Lükake aeglaselt haaramisseade ja materjal õõnsusesse.*

*Joonis 2.B. Kasutades haaramisseadmeid teises ja/või kolmandas lisakohas, saab materjali kohale paigutada.*

## Kõrvaltoimed

- On teatatud vedeliku „kapseldumisest” ja võõrkehareaktsioonidest.
- On teateid stenootilistest toimest juhtudel, kui SURGICEL FIBRILLAR Haemostati kasutati mähkimiseks veresoontekirurgia protseduuridel. Kuigi ei ole teada, kas stenoos oli otseselt seotud SURGICEL

FIBRILLAR Haemostati kasutamiseks, peab olema ettevaatlik ja tuleb vältida materjali mähkimist liiga tihedalt.

- Paralüüsi ja närvikahjustusest on teatatud juhtudel, kui SURGICEL FIBRILLAR Haemostati kasutati luus olevate aukude sees, ümber või lähedal, luuliste piirete, seljaaju ja/või nägemisnärvide ning kiasmi piirkonnas. Kuigi enamus neist teadetest on olnud seotud laminektoomiaga, on teateid paralüüsi kohta saadud ka seoses teiste protseduuridega. Pimedaksjäämisest on teatatud seoses vasaku frontaalsagara latseratsiooni kirurgilise raviga siis, kui SURGICEL FIBRILLAR Haemostat asetati eesmisse kraniialauku (vaadake „Hoiatused ja ettevaatusabinõud“).
- On teatatud võimalikust dreenaži pikenenemisest koletsüstektoomiate puhul ja komplikatsioonidest pärast prostataktoomiat, kui uriini läbimine kusiti kaudu on raskendatud. Teada on ka üks blokeeritud kusejuha juhtum pärast neeru resektsiooni, mille puhul läks vaja postoperatiivset kateteriseerimist.
- Üksikuid teateid on „põletava“ ja „torkiva“ tunde ning aevastamise kohta, kui SURGICEL FIBRILLAR Haemostati kasutati ninaverejooksu korral. Need sümptomid on arvatavasti tingitud toote madalast pH-st.
- Põletusest on teatatud juhtudel, kui SURGICEL FIBRILLAR Haemostati kasutati pärast ninapolüübi eemaldamist ja pärast hemorroidektoomiat. On teatatud peavalust, põletus- ja torkimistundest ning aevastamisest ninaverejooksu ja teiste rinoloogiliste protseduuride korral. Samuti on teatatud torkimistundest, kui SURGICEL FIBRILLAR Haemostati aplitseeriti pindmistele haavadele (varikoossed haavandid, naha abrasiioonid ja doonorpiirkonnad).

### **Annustamine ja manustamisviis**

SURGICEL FIBRILLAR Haemostati väljavõtmisel steriilselt konteinerist tuleb järgida steriilset tehnikat. Minimaalsed kogused sobivas suuruses SURGICEL FIBRILLAR Haemostati asetatakse verejooksu kohale või hoitakse tihedalt vastu kudesid hemostaasi saavutamiseni.

Vajalik kogus sõltub peatatava verejooksu iseloomust ja intensiivsusest. SURGICEL FIBRILLAR Haemostati hemostaatiline toime väljendub eriti siis, kui seda kasutatakse kuivana. Materjali niisutamist vee või füsioloogilise lahusega ei ole soovitatav.

### **Hoiustamine ja säilivusaeg**

SURGICEL FIBRILLAR Haemostati tuleb hoiustada originaalpakendis, kuivades kontrollitud tingimustes (15 °C kuni 30 °C) ja kaitsta otsese päikesevalguse eest.

Ärge kasutage, kui pakend on kahjustatud või avatud. Ärge steriliseerige. Tarnitud SURGICEL FIBRILLAR Haemostat on saadaval erineva suurusega originaalpakendis steriilsel kujul.

Selle toote kõlblikusaeg on trükitud pakendile. Ärge kasutage SURGICEL FIBRILLAR Haemostati pärast seda kuupäeva.



## **TR** Ürün Tanımı

SURGICEL® FIBRILLAR Emilebilir Hemostat rejenera selülozun kontrollü oksitlenmesiyle hazırlanan steril emilebilir fibröz malzeme'dir. Bez uçuk sarı gölgeli beyaz renktedir ve hafif, karamela benzer bir kokusu vardır. Sağlamdır ve dokusunu kaybetmeden dikilebilir veya kesilebilir. Dayanıklardır ve kontrollü oda sıcaklığında saklanabilir. Bekledikçe rengi hafifçe atabilir, ama bu performansını etkilemez. Ürünün lifli yapısı cerrahın belli bir kanama bölgesinde hemostaz sağlamaya yetecek kadar SURGICEL FIBRILLAR Hemostat'ı forsepsle kavramasına olanak verir. Erişimi zor ve kıvrımlı kanama bölgelerine özellikle uygundur. SURGICEL FIBRILLAR Hemostat'ın istendiği kadarnı çekip almak kolay olsa da, seçilen liflerin örgüsü bozulmaz ve kanama bölgesi kolayca kontrol altına alınır. İstenmeyen biçimde operasyon alanına dağılması söz konusu değildir

### **Etkinlikleri**

SURGICEL FIBRILLAR Hemostat'ın pıhtılaşmayı nasıl hızlandırdığı tamamen anlaşılammıştır, ama bunun normal fizyolojik pıhtılaşma mekanizmasını değiştirmekten ziyade, fiziksel bir etki olduğu zannedilmektedir. SURGICEL FIBRILLAR Hemostat kanla dolduğunda şişerek kahverengimsi veya siyah jelatinimsi bir kütleye dönüşür; bu pıhtı oluşumuna yardımcı olur ve yerel kanamaların kontrolünde hemostatik bir yardımcı olarak iş görür. SURGICEL FIBRILLAR Hemostatın en az miktarda kullanılması uygundur, bu durumda dokularda her hangi bir reaksiyonla karşılaşmadan implantasyon bölgesinde emilir. Emilme kullanılan miktar, kana doymuşluk derecesi ve doku yatağı gibi bir çok etkene bağlıdır.

Yerel hemostatik özelliklerine ek olarak SURGICEL FIBRILLAR Hemostatın, aerobik veya anaerobik, gram pozitif veya gram negatif çok çeşitli organizma türlerine karşı *in vitro* bakterisit olduğu gösterilmiştir. SURGICEL FIBRILLAR Hemostat aşağıdaki tür soylarına karşı *in vitro* bakterisittir:

*Staphylococcus aureus*

*Staphylococcus epidermidis*

*Micrococcus luteus*

*Streptococcus pyogenes* Grup A

*Streptococcus pyogenes* Grup B

*Streptococcus salivarius*

*Branhamella catarrhalis*

*Escherichia coli*

*Klebsiella aerogenes*

*Lactobacillus sp.*

*Salmonella enteritidis*

*Shigella dysenteriae*

*Serratia marcescens*

metisilin dirençli *Staphylococcus aureus* (MRSA)

penisilin dirençli *Streptococcus pneumoniae* (PRSP)

vankomisin dirençli *Enterococcus* (VRE)

metisilin dirençli *Staphylococcus epidermidis* (MRSE)

*Basillus subtilis*

*Proteus vulgaris*

*Corynebacterium xerosis*

*Mycobacterium phlei*

*Clostridium tetani*

*Clostridium perfringens*

*Bacteroides fragilis*

*Enterococcus*

*Enterobacter cloacae*

*Pseudomonas aeruginosa*

*Pseudomonas stutzeri*

*Proteus mirabilis*

Hayvanlar üzerinde yürütülen araştırmalar SURGICEL FIBRILLAR Hemostat'ın diğer hemostatik maddelerin tersine deneysel enfeksiyonu artırmadığını göstermiştir Buna rağmen SURGICEL FIBRILLAR Hemostat, sistemik uygulanan terapötik veya profilaktik antimikrobiyal ajanlara bir alternatif değildir.

SURGICEL Hemostat bir çok cerrahi alanda kullanılabilir; örneğin, kardiyovasküler cerrahi, hemoroidektomi, vasküler protez implantasyonu, biyopsiler, akciğer ameliyatları, yüz ve çene cerrahisi, gastrik rezeksiyon, boğaz veya burun ameliyatları, karaciğer ve safra kesesi ameliyatları, jinekolojik ameliyatlar, torasik ve abdominal sempatektomi, nöroşürüjji, özellikle beyin ameliyatları, tiroid ameliyatları, deri transplantasyonları, yüzeysel yaralanmaların tedavisi.

### **Endikasyonları**

SURGICEL FIBRILLAR Hemostat cerrahi prosedürlerde, kılcal damar kanaması, venöz ve arteriyel kanamaların kontrolünde, ligatür veya diğer standart kontrol yöntemleri uygun görülmezse veya başarısız olursa yardımcı olarak kullanılır. SURGICEL FIBRILLAR Hemostat endoskopik prosedürlerde kullanılacak boyutta kesilebilir.

### **Kontrendikasyonları**

- Tikama veya doldurma bazen tıbbi olarak zorunlu olsa bile, hemostaz elde edildikten sonra SURGICEL FIBRILLAR Hemostat kesinlikle temizlenmelidir. (Bkz. Uyarılar ve Önlemler).
- SURGICEL FIBRILLAR Hemostat, kallus oluşumuna karışması olasılığına karşı ve en azından teorik olarak kist oluşmasına neden olabileceğinden, kırık gibi kemik hasarlarının implantasyonunda kullanılmamalıdır.
- SURGICEL FIBRILLAR Hemostat kemikte foramina çevresinde veya komşuluğunda, kemikle sınırlanmış alanlarda, omurluk veya optik sinir ve kıyazmada hemostaz sağlanmasına yardımcı olması için kullanıldıysa, şişebileceği ve istenmeyen bir basınç uygulayabileceğinden, hemostaz sağlandıktan sonra kullanım bölgesinden temizlenmelidir.
- SURGICEL FIBRILLAR Hemostat geniş atardamarlardan kaynaklanan kanamaları kontrol etmek için kullanılmamalıdır.
- Tam kan hariç olmak üzere serum gibi diğer vücut sıvıları SURGICEL FIBRILLAR Hemostatla tatminkar hemostatik etki yaratan bir reaksiyona girmediklerinden, kanamalı olmayan seröz sızıntılı yüzeylerde kullanılmamalıdır.

- SURGICEL FIBRILLAR Hemostat yapışmayı engelleyici bir ürün gibi kullanılmamalıdır.

## Uyarılar

- SURGICEL FIBRILLAR Hemostat steril olarak tedarik edilir ve malzeme buhar veya etilen oksit sterilizasyonuna uygun olmadığından SURGICEL FIBRILLAR Hemostat yeniden sterilize edilmemelidir.
- SURGICEL FIBRILLAR Hemostat, dikkatli cerrahiye ve sütür ve ligatürün düzgün kullanımına yedek olarak tasarlanmamıştır.
- SURGICEL FIBRILLAR Hemostatın anti-enfeksiyon ajanlar veya tampon veya hemostatik özelliği olan diğer maddeler yedirilmemelidir. Trombin eklenmesiyle hemostatik etkisi artmaz, trombinin etkinliği ürünün düşük pH oranında ortadan kalkar.
- SURGICEL FIBRILLAR Hemostat gerekli olduğunda *in situ* bırakılabilir de, hemostaz sağlanır sağlanmaz temizlenmesi tavsiye edilmektedir. SURGICEL FIBRILLAR Hemostat kemikte foramina çevresinde veya komşuluğunda, kemikle sınırlanmış alanlarda, omurilik ve/veya optik sinir ve kiyazmada kullanıldıysa, şişebileceği ve uygulayacağı basınçlı felç veya sinir hasarına yol açabileceğinden, uygulanan cerrahi prosedürden bağımsız olarak **her zaman** kullanım bölgesinden temizlenmelidir. Yeniden doldurma, daha sonradan yapılan ameliyat içi hareketler, lavaj, gereğinden fazla respirasyon gibi nedenlerle SURGICEL FIBRILLAR Hemostat yerinden oynayabilir. Lobektomi, laminektomi ve frontal kafatası kırığı ve lasere doku onarımı gibi prosedürlerde ameliyat bölgesinin kapanmasından sonra SURGICEL FIBRILLAR Hemostat içeride bırakıldığında, uygulama bölgesinden omurilik çevresindeki kemikte foraminaya gittiği ve felce neden olduğu, bir diğer örnekteyse sol göz orbitine giderek körlüğe neden olduğu bildirilmiştir. Bu bildirimler onaylanamamış olsa da hekimlerin, hemostaz sağlandıktan sonra SURGICEL FIBRILLAR Hemostatı temizleme önerisine cerrahi **prosedürün türünden bağımsız olarak** özel dikkat göstermeleri gerekmektedir.
- SURGICEL FIBRILLAR Hemostat oldukça geniş bir patojenik mikroorganizma grubuna karşı bakterisit olsa da, ameliyat sonrası enfeksiyonları kontrol etmek ve engellemek için sistemik olarak uygulanan terapötik ve profilaktik antimikrobiyal ajanların yerine yedek olarak tasarlanmamıştır.

## Önlemler

- Hemostaz için gerektiği kadar SURGICEL FIBRILLAR Hemostat kullanın ve kanama durana kadar sıkıca bastırın. Emilmeyi kolaylaştırmak için ve vücudun yabancı maddeye reaksiyon göstermesi olasılığına karşı, cerrahi müdahale bölgesini kapatmadan önce fazlalıkları temizleyin.
- Ürolojik prosedürlerde en az miktarlarda SURGICEL FIBRILLAR Hemostat kullanılmalıdır ve ürünün yerinden oynamış parçalarının üretra, ureter veya kullanılan bir kateteri tıkanmasını engellemek için özel bir dikkat gösterilmelidir.
- Kimyasal olarak koterlenmiş alanlarda SURGICEL FIBRILLAR Hemostat emilmesi engellenebileceğinden, kullanımından önce gümüş nitrat veya diğer eskarotik kimyasallar uygulanmalıdır.
- SURGICEL FIBRILLAR Hemostatı geçici olarak geniş açık yaraların oyuk çevresine hat şeklinde yerleştirilecekse, derinin üzerine taşmayacak şekilde yerleştirilmelidir. Kanama durduktan sonra açık yaralardan forsepsle veya steril su veya salin solüsyonuyla sulanarak çıkarılmalıdır.
- Otorinolaringolojik cerrahi sırasında hiç bir malzemenin hasta tarafından solunmamasını sağlamak için özel dikkat gösterilmelidir. (Örnekler: tonsilektomiden sonra kanamanın kontrolü ve burun kanamasının kontrolü).
- Vasküler cerrahi sırasında sarğı olarak kullanıldığında SURGICEL FIBRILLAR Hemostatın çok sıkı sarılmamasına dikkat edilmelidir (Bkz. Yan Etkiler).

## Endoskopik prosedürlerde kullanım talimatları:

(bkz. 04. sayfada, şekil 1 ve 2)

**Figure 1.** SURGICEL FIBRILLAR Hemostat *endoskopik yerleştirme için uygun boyutta kesilmelidir. Emilebilir hemostatın yerleştirilmesine kadar standart endoskopik prosedürler kullanılmalıdır. SURGICEL FIBRILLAR Hemostatı bir köşesinden tutun. Malzemeyi geriye doğru düzgün hareketle laparoskopun ucunda kapalı kalıncaya kadar ameliyat kanalının içine çekin.*

**Figure 2.A.** *Laparoskopi kanal boyunca tekrar hastanın içine yerleştirin ve istenen uygulamanın yapılacağı alana tekrar yerleştirin. Tutucu aleti ve malzemeyi yavaşça kaviteye itin.*

**Figure 2.B.** *İkinci veya üçüncü bir yan bölgedeki tutucu aletlerin de yardımcı malzeme yerine yerleştirilebilir.*

## Yan Etkileri

- Sıvı "enkapsülasyonu" ve yabancı maddeye reaksiyon vakaları bildirilmiştir.
- SURGICEL FIBRILLAR Hemostat vasküler cerrahi sırasında sarğı olarak kullanıldığında, stenotik etkileri olduğu bildirilmiştir. Stenozun doğrudan SURGICEL FIBRILLAR Hemostat kullanımıyla bağlantılı olduğu kanıtlanmadıysa da, malzemeyi sarğı olarak çok sıkı uygulamaktan kaçının.
- SURGICEL FIBRILLAR Hemostat kemikte foramina çevresinde veya komşuluğunda, kemikle sınırlanmış alanlarda, omurilik ve/veya optik sinir ve kiyazmada kullanıldığında felç ve sinir hasarı bildirilmiştir. Bu bildirimlerin çoğu laminektomiyle bağlantılıyken, felç bildirimleri diğer prosedürlerle ilişkili olarak da alınmıştır. SURGICEL FIBRILLAR Hemostatın anterior cranial fossaya yerleştiği bir lasere sol frontal lob cerrahi onarımı ilişkili olarak körlük ortaya çıktığı bildirilmiştir (Bkz. Uyarılar ve Önlemler).
- Kolesistektomilerde direnaja muhtemel uzaması ve prostatektomiden sonra idrarın üretradan geçmesinde

zorluk bildirilmiştir. Böbrek rezeksiyonundan sonra üreterin bloke olduğu ve ameliyat sonrası kateterizasyon yapılmak zorunda kalınan bir vaka bildirilmiştir.

- SURGICEL FIBRILLAR Hemostat dış çekiminden sonra dolgu olarak kullanıldığında ara sıra karşılaşılan “yanma” ve “batma” hissinin ürünün düşük pH değerinden kaynaklandığı düşünülmektedir.
- Nazal polip çıkarılması ve hemoroidektomiden sonra SURGICEL FIBRILLAR Hemostat uygulandığında yanma bildirilmiştir. Dış çekme ve diğer rinolojik prosedürlerden sonra başağrısı, yanma, batma ve hapşırma. Ayrıca yüzey yaralarına (variköz ülserler, dermabrazyonlar ve donör bölgeler) SURGICEL FIBRILLAR Hemostat uygulandığında batma bildirilmiştir.

### **Dozaj ve idare**

SURGICEL FIBRILLAR Hemostatı steril kabından çıkarırken steril teknik gözetilmelidir. Uygun boyda en az SURGICEL FIBRILLAR Hemostat kanayan bölgeye serilmeli veya hemostaz sağlanana kadar dokulara sıkıca bastırılmalıdır.

Gereken miktar durdurulması gereken kanamanın niteliğine ve şiddetine bağlıdır. SURGICEL FIBRILLAR Hemostatın hemostatik etkisinin kuru kullanıldığında daha güçlü olduğuna dikkat çekilmektedir. Malzemeyi su veya fizyolojik salin solüsyonuyla nemlendirme tavsiye edilmemektedir.

### **Saklama ve raf ömrü**

SURGICEL FIBRILLAR Hemostat orijinal paketinde kuru olarak kontrollü koşullarda (15°C-30°C) ve doğrudan güneş ışığından uzakta saklanmalıdır.

Pansuman ambalajı hasarlıysa veya açılmışsa kullanmayın. Yeniden sterilize etmeyin. SURGICEL FIBRILLAR Hemostat çeşitli boylarda orijinal ambalajda steril olarak tedarik edilmektedir.

Bu ürünün son kullanma tarihi kutunun üzerinde yazılıdır. SURGICEL FIBRILLAR Hemostat'ı bu tarihten sonra kullanmayın.

SURGICEL® FIBRILLAR 止血膠棉係一種經過消毒且具吸收性的纖維性物質，它是使用再生纖維素，經過控制的氧化過程製備而成。這種纖維呈白色，但帶有一點淡黃色，並有一點焦糖的香味。膠棉的強度大，在縫合或被切斷時邊緣也不會磨損。材料性質穩定，要存放在有溫度控制的室溫下。時間稍久之後顏色可能稍微改變，但其性能不受影響。

外科醫生可以用鑷子夾住本產品的纖維狀物，藉以夾起任何量的 SURGICEL FIBRILLAR 止血膠棉，以停止特定部位的出血。這使得很難止血或不規則流血部位的止血工作更為容易。雖然可以很容易從整捲膠棉中抽出要使用的 SURGICEL FIBRILLAR 止血膠棉量，但是所選取的纖維組仍會彼此黏附，進而很容易控制在流血部位的使用，且手術室中也不會有散落一地的情形。

## 作用

SURGICEL FIBRILLAR 止血膠棉加速凝血的作用機制目前尚未完全明瞭，但它更像是一種物理效應，而非正常生理性凝血機制的變更。當 SURGICEL FIBRILLAR 止血膠棉吸滿血液後，膠棉會膨脹成棕色或黑色凝膠狀團塊，這有助於血液凝結，並可作為局部控制出血的止血輔助物。當以最小數量正確地使用 SURGICEL FIBRILLAR 止血膠棉時，它會從植入位置吸收血液，而幾乎沒有任何組織反應。吸收效果會受到幾個因素的影響，其中包括使用量、血液飽和程度以及組織床。

除了局部止血的特性之外，SURGICEL FIBRILLAR 止血膠棉對多種革蘭氏陽性與革蘭氏陰性菌（包括需氧菌與厭氧菌）具有體外殺菌的效用。SURGICEL FIBRILLAR 止血膠棉對以下的種類的菌株具體外殺菌的效用：

|                                   |           |
|-----------------------------------|-----------|
| 金黃色葡萄球菌                           | 枯草芽孢桿菌    |
| 表皮葡萄球菌                            | 普通變形桿菌    |
| 藤黃微球菌                             | 結膜乾燥症棒狀桿菌 |
| A 群化膿性鏈球菌                         | 草分支桿菌     |
| B 群化膿性鏈球菌                         | 破傷風桿菌     |
| 涎鏈球菌                              | 產氣莢膜梭菌    |
| 卡他性奈瑟菌                            | 鬆脆桿菌      |
| 大腸桿菌                              | 腸球菌       |
| 克留氏桿菌                             | 腸內桿菌      |
| 乳桿菌                               | 綠膿桿菌      |
| 沙門氏桿菌                             | 固氮斯氏假單胞菌  |
| 志賀氏痢疾桿菌                           | 奇異變型桿菌    |
| 黏質沙雷氏菌                            |           |
| 具有 Methicillin 抗藥性的金黃色葡萄球菌 (MRSA) |           |
| 具有 Penicillin 抗藥性的肺炎鏈球菌 (PRSP)    |           |
| 具有 Vancomycin 抗藥性的腸球菌 (VRE)       |           |
| 具有 Methicillin 抗藥性的表皮葡萄球菌 (MRSA)  |           |

根據動物實驗研究顯示，相較於其他的止血劑，SURGICEL FIBRILLAR 止血膠棉是不會增加人工感染的機會。但是，SURGICEL FIBRILLAR 止血膠棉卻不可用來替代具有治療性或預防性的抗菌劑的系統應用。

SURGICEL FIBRILLAR 止血膠棉可以應用在許多手術方面，例如：心臟血管疾病手術、痔瘡切除手術、心血管彌補物的植入、切片檢查、肺部手術、顏面及顎手術、胃切除術、喉部或鼻部手術、肝臟與膽囊手術、婦科手術、胸部與腹部交感神經切除術、神經外科手術（特別是大腦手術）、甲狀腺手術、皮膚移植以及表層損傷的治療。

## 適應症

SURGICEL FIBRILLAR 止血膠棉係在手術期間使用的輔助用品，當接合術或其他傳統止血方式無法使用或無效時，它可以輔助控制微血管、靜脈與小動脈的出血。SURGICEL FIBRILLAR 止血膠棉可以切割成所要的大小，以用於內視鏡手術。

## 禁忌症

- 雖然在進行醫療行為時有必要使用填料或填棉，SURGICEL FIBRILLAR 止血膠棉卻不可作如此用途，除非會在完成止血後移除（參閱「警告與預防措施」）。
- SURGICEL FIBRILLAR 止血膠棉不得使用於骨骼缺陷（如骨折）的植入部位中，因為有可能影響骨癒的形成，而且理論上會有形成囊腫的可能。
- 當使用 SURGICEL FIBRILLAR 止血膠棉在骨骼孔洞的內部、周圍或附近，在骨質限制區域，脊髓或視神經與視神經交叉等處進行止血時，每當止血完成後務必取出止血膠棉，因為它可能會膨脹，因而施加不必要的壓力。
- 大動脈出血時不能使用 SURGICEL FIBRILLAR 止血膠棉。

- SURGICEL FIBRILLAR 止血膠棉不應用於非出血性的血清滲血表面，因為除了全血外，其他體液（例如血清）是不會與 SURGICEL FIBRILLAR 止血膠棉反應並進而產生滿意的止血效果。
- SURGICEL FIBRILLAR 止血膠棉不應作為防黏製品。

## 警告

- SURGICEL FIBRILLAR 止血膠棉以無菌包裝供應，由於所用的材料是不可使用高壓蒸氣或環氧乙烷滅菌法消毒的，因此 SURGICEL FIBRILLAR 止血膠棉不能重複消毒。
- SURGICEL FIBRILLAR 止血膠棉不能替代精密的手術與準確的縫合和結紮。
- 在縫合受感染的傷口時，使用 SURGICEL FIBRILLAR 止血膠棉卻不進行排液的話，可能會導致發症，因此應避免發生這種情況。
- 乾燥狀態的 SURGICEL FIBRILLAR 止血膠棉的止血效果更好，因此它不能被水或鹽水沾濕。
- SURGICEL FIBRILLAR 止血膠棉內不應填充抗感染的藥劑或其他物質，如緩衝劑或止血物質。如果加上凝血酵素後止血效果並未變好，則凝血酵素的活性已經被此產品的低酸鹼值所破壞。
- 雖然 SURGICEL FIBRILLAR 止血膠棉在必要時可以留在體內，但是建議在止血完畢後將其取出。不論是哪一種手術，當在骨髓孔洞的內部、周圍或附近，在骨質限制區域，脊髓和/或視神經與視神經交叉等處使用止血膠棉後，務必將其取出，因為 SURGICEL FIBRILLAR 止血膠棉膨脹後可能會施加壓力，導致癱瘓和/或神經損傷。下列動作可能會導致 SURGICEL FIBRILLAR 止血膠棉的移位：重新填裝、手術時進一步的操作、灌注、過度的呼吸作用等等。有報告顯示，在（肺、腺）葉切除術、椎板切除術、與前額顱骨骨折與的耳垂撕裂創傷的修補中，若 SURGICEL FIBRILLAR 止血膠棉在縫合後停留在病患體內，會從使用的部位移至脊髓周圍的骨孔，因而導致癱瘓；還有一種情形是會移至左眼窩，導致失明。雖然這些報告尚待證實，醫師仍須特別小心，無論在任何類型的手術中，都應在完成止血後，取出 SURGICEL FIBRILLAR 止血膠棉。
- 雖然 SURGICEL FIBRILLAR 止血膠棉對多種病原體微生物具有殺菌作用，但它卻不可取代可用來控制或預防術後感染的全身性治療抗菌劑的使用。

## 防範措施

- 僅使用所需數量的 SURGICEL FIBRILLAR 止血膠棉進行止血，請將其緊緊按住，直到停止流血為止。請在手術縫合之前，將多餘的部分取出，以便血液吸收，並將身體對異物反應的可能性降至最低。
- 在泌尿器官的手術中，應使用最少量的 SURGICEL FIBRILLAR 止血膠棉，而且要非常小心，以防止因產品部分移位而堵塞尿道或導尿管。
- 由於以化學方式燒灼的部位會妨礙 SURGICEL FIBRILLAR 止血膠棉的吸收作用，因此在使用止血膠棉之前不應使用硝酸銀或任何其他具腐蝕性的化學藥品。
- 如果 SURGICEL FIBRILLAR 止血膠棉係暫時用來填滿大型開放性傷口的孔洞，放置時不應該與皮膚邊緣有所重疊。在停止流血之後，應透過鑷子或無菌水或鹽水溶液的灌注來取出止血膠棉。
- 在進行耳鼻喉手術時應採取防範措施，確保病患沒有吸入這些材料。（範例：在扁桃腺切除術之後以及流鼻血時止血）。
- 若止血膠棉在心血管手術當中係用來包纏時，應小心不要將 SURGICEL FIBRILLAR 止血膠棉過度纏緊（請參閱「不良反應部分」）。

## 內視鏡手術使用說明：

（請參閱第 xx 頁上的圖 1 與圖 2）。

圖 1 SURGICEL FIBRILLAR 止血膠棉應該切割成正確大小，用與內視鏡手術放置。在放置止血膠棉之前，都應使用標準的內視鏡手術。抓住 SURGICEL FIBRILLAR 止血膠棉的一角。藉著持續而穩定的向後運動，將材料拉入手術通道直到材料裝入腹腔鏡的尾端為止。

圖 2. A 透過套管將腹腔鏡放回病患身體，並將鏡頭重新定位在需要使用的部位。慢慢地將抓取設備與材料推入孔洞中。

圖 2. B 藉著在第二和/或第三部位使用抓取儀器，可完成放置的動作，材料即可就定位。

## 不良反應

- 已經有液體「包覆」和身體異物反應的相關報告。
- 有過報告顯示，若 SURGICEL FIBRILLAR 止血膠棉在心血管手術當中用來包纏時，會產生狹窄效應。雖然狹窄症與 SURGICEL FIBRILLAR 止血膠棉之間的直接關係尚待證實，仍須小心不要將該材料緊緊纏繞。
- 已經有報告顯示，當 SURGICEL FIBRILLAR 止血膠棉用在骨髓孔洞的內部、周圍或附近，在骨質限制區域，脊髓和/或視神經與視神經交叉等處時，導致癱瘓與神經損傷。雖然這些報告大部分與椎板切除術有所關聯，然而亦有報告顯示，其他手術也會造成癱瘓。有報告顯示，在撕創傷

左額葉的修補手術時將 SURGICEL FIBRILLAR 止血膠棉放置在前顱窩內，導致失明（參閱「警告與預防措施」）。

- 亦有在膽囊切除術當中可能造成排液延長、在攝護腺切除術有尿液通過尿道困難等相關報導。有報告顯示，在腎臟切除手術後有輸尿管阻塞的情形，導致在手術後需要使用導尿管。
- 有少數的報告顯示，在流鼻血時用 SURGICEL FIBRILLAR 止血膠棉來填鼻孔，會有「灼熱」與「刺痛」的感覺並打噴嚏，一般認為這是由於本產品的低酸鹼值所致。
- 有報告顯示，在鼻息肉移除手術和痔瘡切除手術後使用 SURGICEL FIBRILLAR 止血膠棉的話，會有灼熱的感覺。在流鼻血與其他鼻科手術時會有頭痛、灼熱、刺痛的感覺並會打噴嚏。另有報告顯示，當 SURGICEL FIBRILLAR 止血膠棉用在表皮傷口（靜脈曲張併發性皮膚潰瘍、磨皮手術區與取皮瓣部位），會有刺痛的感覺。

## 劑量與敷用方法

將 SURGICEL FIBRILLAR 止血膠棉從經過滅菌的容器中取出時，應當採取殺菌消毒技術。在出血部位應當使用最少量、大小合適的 SURGICEL FIBRILLAR 止血膠棉，將其緊緊按住組織部位，直到停止出血為止。

使用量則視出血的特性與嚴重性而定。乾燥時使用 SURGICEL FIBRILLAR 止血膠棉，效果最為顯著。不建議以水或生理食鹽溶液來濕潤本材料。

## 存放條件與貨架期

原包裝的 SURGICEL FIBRILLAR 止血膠棉應當存放在有環境溫度控制的條件下 (15°C -30°C ) 並避免太陽光直射。

請勿使用已損壞/開啟的包裝。請勿重複消毒。所附的 SURGICEL FIBRILLAR 止血膠棉原包裝係經過滅菌處理，有多種大小可供使用。

本產品的有效期限列印在包裝上面。請勿使用超過此期限的 SURGICEL FIBRILLAR 止血膠棉。

## **RU** Описание

Рассасывающийся гемостатический материал SURGICEL\* FIBRILLAR это стерильный рассасывающийся волокнистый материал, изготовленный по методу контролируемого окисления восстановленной целлюлозы. Волокно имеет белый цвет или бледно-желтый оттенок и слабый карамельный запах. Оно довольно прочно и при наложении швов или разрезов не расползается. В условиях хранения при контролируемой комнатной температуре волокно сохраняет стабильность. По мере старения материала его цвет может немного изменяться, но это не влияет на его эксплуатационные характеристики.

Волокнистая форма продукта позволяет хирургу брать щипцами любое количество гемостатического материала SURGICEL FIBRILLAR, необходимое для достижения гемостаза в конкретном месте кровотечения. Это делает его удобным для применения в труднодоступных местах или в участках кровотечения с неправильной формой. Нужное количество гемостатического материала SURGICEL FIBRILLAR довольно легко вытягивается из общей массы, но при этом его волокна продолжают оставаться сцепленными друг с другом, и наложение материала на место кровотечения контролируется без особого труда. Нежелательного разброса материала в операционном поле не происходит.

## **Действие**

Механизм действия, посредством которого гемостатический материал SURGICEL FIBRILLAR ускоряет свертывание крови, не вполне понятен, но, скорее всего, он основан на физическом эффекте, а не на каком-то изменении в нормальном физиологическом механизме свертывания крови. После того как гемостатический материал SURGICEL FIBRILLAR насытится кровью, он набухает, превращаясь в коричневатую-черную студенистую массу, которая помогает образованию сгустка, т.е. играет определенную роль в качестве вспомогательного фактора местного гемостаза. При правильном использовании в нужном (минимальном) количестве гемостатический материал SURGICEL FIBRILLAR рассасывается в месте наложения, практически не вызывая тканевой реакции. Рассасывание зависит от многих факторов, включая количество использованного материала, степень его насыщения кровью, а также тканевое ложе.

Помимо местного гемостатического эффекта материал SURGICEL FIBRILLAR обладает бактерицидными свойствами *in vitro* по отношению к широкому спектру грамположительных и грамотрицательных микроорганизмов, включая аэробные и анаэробные. Гемостатический материал SURGICEL FIBRILLAR проявляет *in vitro* бактерицидное действие против следующих видов и штаммов:

|                                       |                                |
|---------------------------------------|--------------------------------|
| <i>Staphylococcus aureus</i>          | <i>Bacillus subtilis</i>       |
| <i>Staphylococcus epidermidis</i>     | <i>Proteus vulgaris</i>        |
| <i>Micrococcus luteus</i>             | <i>Corynebacterium xerosis</i> |
| <i>Streptococcus pyogenes Group A</i> | <i>Mycobacterium phlei</i>     |
| <i>Streptococcus pyogenes Group B</i> | <i>Clostridium tetani</i>      |
| <i>Streptococcus salivarius</i>       | <i>Clostridium perfringens</i> |
| <i>Branhamella catarrhalis</i>        | <i>Bacteroides fragilis</i>    |
| <i>Escherichia coli</i>               | <i>Enterococcus</i>            |
| <i>Klebsiella aerogenes</i>           | <i>Enterobacter cloacae</i>    |
| <i>Lactobacillus sp.</i>              | <i>Pseudomonas aeruginosa</i>  |
| <i>Salmonella enteritidis</i>         | <i>Pseudomonas stutzeri</i>    |
| <i>Shigella dysenteriae</i>           | <i>Proteus mirabilis</i>       |
| <i>Serratia marcescens</i>            |                                |

устойчивый к метициллину *Staphylococcus aureus* (MRSA)  
устойчивый к пенициллину *Streptococcus pneumoniae* (PRSP)  
устойчивый к ванкомицину *Enterococcus* (VRE)  
устойчивый к метициллину *Staphylococcus epidermidis* (MRSE)

Исследования на животных показали, что гемостатический материал SURGICEL FIBRILLAR, в отличие от других гемостатических агентов, не усиливает экспериментальную инфекцию. Однако гемостатический материал SURGICEL FIBRILLAR не может считаться альтернативой системным противомикробным агентам, применяемым для лечения или профилактики раневых инфекций. Гемостатический материал SURGICEL FIBRILLAR может использоваться во многих областях хирургии, например, в сердечно-сосудистой хирургии, при геморроидэктомии, имплантации сосудистых протезов, проведении биопсий, при операциях на легких, в челюстно-лицевой хирургии, при резекции желудка, при операциях на ЛОП-органах, печени и желчном пузыре, при гинекологических операциях, при торакальной и абдоминальной симпатэктомии, в нейрохирургии, особенно при оперативных вмешательствах на головном мозге, при операциях на щитовидной железе, при пересадках кожи, а также при лечении поверхностных травматических повреждений.

## **Показания**

Гемостатический материал SURGICEL FIBRILLAR используется как вспомогательное средство при хирургических процедурах, предназначенное для помощи в остановке капиллярных, венозных и мелких артериальных кровотечений, когда перевязка сосудов или другие традиционные методы борьбы с кровотечением непрактичны или неэффективны. Гемостатический материал SURGICEL FIBRILLAR можно обрезать до нужного размера при его использовании в эндоскопических процедурах.

## Противопоказания

- Хотя тампонада или ватная набивка иногда необходимы с медицинской точки зрения, гемостатический материал SURGICEL FIBRILLAR не следует использовать таким образом кроме тех случаев, когда его будут извлекать после достижения гемостаза. (См. Предупреждения и меры предосторожности).
- Гемостатический материал SURGICEL FIBRILLAR нельзя использовать при имплантациях по поводу костных дефектов, например, переломов, поскольку он может создавать препятствие для образования костной мозоли и теоретически создает вероятность образования кисты.
- Если гемостатический материал SURGICEL FIBRILLAR используется для помощи в достижении гемостаза вблизи костных отверстий, в областях костных границ, поблизости от спинного мозга, зрительного нерва и/или хиазмы, его всегда надо удалять после достижения гемостаза, поскольку он набухает и может создавать нежелательное давление.
- Гемостатический материал SURGICEL FIBRILLAR нельзя использовать для остановки кровотечения из крупных артерий.
- Гемостатический материал SURGICEL FIBRILLAR нельзя использовать на некровотокающих поверхностях с серозными выделениями, поскольку другие биологические жидкости (не кровь), например, сыворотка, не реагируют с этим материалом, что является необходимым условием достижения удовлетворительного гемостатического эффекта.
- Гемостатический материал SURGICEL FIBRILLAR нельзя использовать как продукт, препятствующий адгезии.

## Предупреждения

- Гемостатический материал SURGICEL FIBRILLAR поставляется в стерильном виде и не выдерживает автоклавирования или стерилизации этиленоксидом - гемостатический материал SURGICEL FIBRILLAR нельзя подвергать повторной стерилизации.
- Гемостатический материал SURGICEL FIBRILLAR не может заменить добросовестность и внимание врача при выполнении хирургических манипуляций, а также надлежащее использование швов и лигатур.
- Закрытие гемостатического материала SURGICEL FIBRILLAR в загрязненной ране без дренажа может привести к осложнениям, и этого следует избегать.
- Гемостатический эффект материала SURGICEL FIBRILLAR усиливается, если его накладывают сухим, следовательно, его не надо увлажнять водой или физиологическим раствором.
- Гемостатический материал SURGICEL FIBRILLAR не следует пропитывать антисептическими агентами или другими буферными, а также гемостатическими жидкостями. Гемостатический эффект этого материала не усиливается при добавлении тромбина, активность которого падает из-за низкого уровня pH продукта.
- Хотя обычно гемостатический материал SURGICEL FIBRILLAR рекомендуется оставлять на месте до полного рассасывания, при необходимости его можно удалять после достижения гемостаза. Этот материал **всегда** надо удалять с места наложения, если он используется поблизости от костных отверстий, костных границ, спинного мозга и/или зрительного нерва и хиазмы, независимо от типа хирургической процедуры, поскольку гемостатический материал SURGICEL FIBRILLAR, набухая, может создать давление, приводящее к параличу и/или повреждению нерва. Смещение гемостатического материала SURGICEL FIBRILLAR может происходить по таким причинам как его вторичное уплотнение, дополнительные интраоперативные манипуляции, орошение, форсированное дыхание и т.д. Имеются сообщения о том, что при таких процедурах как лобэктомия, ламинэктомия, а также восстановление перелома лобной кости и разорванной лобной доли гемостатический материал SURGICEL FIBRILLAR, оставаясь в организме больного после закрытия операционной раны, может мигрировать из места наложения в костное отверстие в области спинного мозга, приводя к параличу, или, в другом случае, в глазницу, приводя к слепоте. Хотя эти сообщения не подтверждены, врачам следует быть особенно осторожными **независимо от типа хирургической процедуры** и серьезно рассматривать вопрос об удалении гемостатического материала SURGICEL FIBRILLAR после достижения гемостаза.
- Хотя гемостатический материал SURGICEL FIBRILLAR проявляет бактерицидный эффект против широкого спектра патогенных микроорганизмов, он не может служить заменой систематическому лечению или профилактическому использованию противомикробных средств для лечения или предупреждения послеоперационных инфекций.

## Меры предосторожности

- Используйте не больше гемостатического материала SURGICEL FIBRILLAR, чем необходимо для обеспечения гемостаза и прочно удерживайте его на месте до тех пор, пока не остановится кровотечение. Удаляйте любые излишки материала перед закрытием хирургической раны, чтобы облегчить его рассасывание и свести к минимуму возможность реакции на инородное тело.
- При урологических процедурах надо использовать минимальное количество гемостатического материала SURGICEL FIBRILLAR, стараясь предупредить закупорку уретры, мочеочочника или катетера смесившимися фрагментами продукта.
- Поскольку рассасывание гемостатического материала SURGICEL FIBRILLAR может нарушаться в участках химического прижигания, перед его наложением не рекомендуется использовать нитрат серебра или любые другие едкие химические вещества.
- Если гемостатический материал SURGICEL FIBRILLAR используется для временной выстилки полости или большой открытой раны, его следует размещать таким образом, чтобы он не перекрывал кромки кожи. Удалять этот материал из открытых ран следует щипцами или при



помощи орошения стерильной водой или физиологическим раствором после остановки кровотечения.

- При оториноларингологических вмешательствах необходимо внимательно следить за тем, чтобы больной не аспирировал этот материал. (Примеры: остановка кровотечения после тонзилэктомии и остановка носового кровотечения).
- Необходимо уделять повышенное внимание тому, чтобы не накладывать гемостатический материал SURGICEL FIBRILLAR слишком туго, если он используется как обертка в сосудистой хирургии (см. Неблагоприятные реакции).

## Указания по применению в эндоскопических процедурах:

(см. рисунки 1 и 2 на странице 04).

*Figure 1.* Гемостатический материал SURGICEL FIBRILLAR следует обрезать до нужного размера для размещения при эндоскопических процедурах. Вплоть до момента размещения рассасывающегося гемостатического материала необходимо выполнять стандартные эндоскопические процедуры. Захватите гемостатический материал SURGICEL FIBRILLAR за один угол. При помощи плавного обратного движения протолкните материал в операционный канал до тех пор, пока он не войдет в концевой отдел лапароскопа.

*Figure 2.A.* Снова введите лапароскоп в участок тела больного через приемную гильзу и репозиционируйте его над выбранным участком наложения материала. Медленно протолкните захватывающий инструмент и материал в полость.

*Figure 2.B.* Размещение и позиционирование материала на месте осуществляются при помощи захватывающих инструментов, введенных через второй и/или третий дополнительный канал.

## Неблагоприятные реакции

- Описаны "инкапсулирование" жидкости и реакции на инородное тело.
- Описан стенозирующий эффект при использовании гемостатического материала SURGICEL FIBRILLAR в качестве обертки в сосудистой хирургии. Хотя не доказано, что стеноз напрямую связан с применением гемостатического материала SURGICEL FIBRILLAR, важно проявлять осторожность и избегать тугого обертывания сосудистых структур материалом.
- Описаны параличи и повреждение нервов при использовании гемостатического материала SURGICEL FIBRILLAR поблизости от костных отверстий, костных границ, спинного мозга и/или зрительного нерва и хиазмы. Хотя большинство таких сообщений связано с процедурой ламинэктомии, описано развитие паралича и при других хирургических процедурах. Слепота описана как осложнение при хирургическом восстановлении разорванной левой лобной доли, когда гемостатический материал SURGICEL FIBRILLAR размещался в передней черепной ямке (см. Предупреждения и Меры предосторожности).
- Описаны возможное пролонгирование дренажного оттока при холецистэктомии и затрудненное прохождение мочи через уретру после простатэктомии. Имеется одно сообщение о блокаде мочеточника после резекции почки, потребовавшей послеоперационной катетеризации.
- Единичные сообщения о «ожоении» и «ужаливании», а также о чихании при использовании гемостатического материала SURGICEL FIBRILLAR в качестве тампона при носовом кровотечении, по-видимому, можно связать с низким pH продукта.
- Жжение описано в связи с применением гемостатического материала SURGICEL FIBRILLAR при удалении носового полипа, а также после геморроидэктомии. Головная боль, жжение, «ужаливание» и чихание описаны при ликвидации носового кровотечения и других ринологических процедурах. Кроме того, описано «ужаливание» при использовании гемостатического материала SURGICEL FIBRILLAR на поверхностных ранах (изъязвление варикозных вен, дерматит и донорские участки).

## Хранение и применение

При извлечении гемостатического материала SURGICEL FIBRILLAR из стерильного контейнера надо соблюдать правила асептики. Минимальное количество гемостатического материала SURGICEL FIBRILLAR соответствующего размера надо приложить к месту кровотечения и прочно удерживать на ткани до тех пор, пока не остановится кровотечение.

Требуемое количество материала зависит от происхождения и интенсивности кровотечения, которое надо остановить. Гемостатический эффект материала SURGICEL FIBRILLAR особенно выражен, если он используется в сухом виде. Не рекомендуется увлажнять материал водой или физиологическим раствором.

## Условия и сроки хранения

Гемостатический материал SURGICEL FIBRILLAR следует хранить в заводской упаковке при контролируемых условиях окружающей среды (15°C-30°C), защищая его от прямого солнечного света.

**Не использовать материал, если заводская упаковка вскрыта/повреждена. Не подвергать повторной стерилизации. Гемостатический материал SURGICEL FIBRILLAR поставляется в стерильном виде в заводской упаковке разного размера.**

**Срок годности материала напечатан на упаковке. Не используйте гемостатический материал SURGICEL FIBRILLAR после даты, указанной на упаковке.**

- GB** SYMBOLS USED ON LABELLING
- DE** SYMBOLE AUF DEM ETIKETT
- FR** SYMBOLES FIGURANT SUR L'ÉTIQUETTE
- IT** SIMBOLI UTILIZZATI NELL'ETICHETTATURA
- ES** SÍMBOLOS USADOS EN LA ETIQUETA
- SE** SYMBOLER I MÄRKNINGEN
- NL** OP DE LABELS GEBRUIKTE SYMBOLEN
- PT** SÍMBOLOS UTILIZADOS NAS ETIQUETAS
- FI** TARROISSA KÄYTETYT MERKIT
- DK** SYMBOLER ANVENDT PÅ ETIKETTER
- GR** ΣΥΜΒΟΛΑ ΠΟΥ ΧΡΗΣΙΜΟΠΟΙΟΥΝΤΑΙ ΣΤΗΝ ΕΤΙΚΕΤΑ
- NO** SYMBOLER SOM BRUKES PÅ MERKINGEN
- PL** SYMBOLE STOSOWANE NA ETYKIETACH
- HU** A CÍMKÉKEN HASZNÁLT SZIMBÓLUMOK
- CZ** SYMBOLY POUŽITÉ NA OZNAČENÍ
- SK** SYMBOLY POUŽITÉ NA ETIKETE
- SI** SIMBOLI UPORABLJENI NA ETIKETAH
- LV** MARĶĒJUMĀ LIETOTIE SIMBOLI
- LT** SIMBOLIAI ANT ETIKEČIŲ
- EE** SILDIL KASUTATUD SÜMBOLID
- TR** ETİKETLERDE KULLANILAN SEMBOLLER
- CN** 標籤上的符號
- RU** СИМВОЛЫ, ИСПОЛЬЗОВАННЫЕ НА ЭТИКЕТКАХ



Single use.  
 Nur zum einmaligen Gebrauch.  
 À usage unique.  
 Monouso.  
 Uso único.  
 Engångsbruk.  
 Voor eenmalig gebruik.  
 Utilização única.  
 Kertakäyttöinen.  
 Engangsbrug.  
 Για μία μόνο χρήση.  
 Engangsbruk.  
 Do jednorazowego użytku.  
 Egyszeri használatra.  
 Jednorázové použití.  
 Na jedno použitie.  
 Enkratna uporaba.  
 Vienreizējai lietošanai.  
 Vienkartiniam naudojimui.  
 Ühekordseks kasutamiseks.  
 Tek kullanımlık.  
 單次使用  
 Для одноразового применения.



Use by: year and month.  
Verwendbar bis: Jahr und Monat.  
Utiliser avant : année et mois.  
Usare entro: anno e mese.  
Fecha de caducidad: año y mes.  
Används före: år och månad.  
Niet gebruiken na: jaar en maand.  
Validade: Ano e Mês.  
Käytettävä ennen: vuosi ja kuukausi.  
Anvendes før: år og måned.  
Χρήση έως: έτος και μήνας.  
Brukes innen: år og måned.  
Zużyć przed: rok i miesiąc.  
Lejárati idő: év és hónap.  
Použitelné do: rok a měsíc.  
Použiť do: rok a mesiac.  
Uporabno do: leto in mesec.  
Izlietot līdz: gads un mēnesis.  
Naudoti iki: metai ir mėnuo.  
Kölblikkusaeg: aasta ja kuu.  
Son kullanna tarihi: yıl ve ay.  
有效期限 : 年份與月份  
Использовать до: год и месяц.

## **STERILE R**

Sterile. Method of sterilisation: irradiation.  
Steril. Sterilisationsmethode: Bestrahlung.  
Stérile. Méthode de stérilisation : irradiation.  
Sterile. Metodo di sterilizzazione: irradiazione.  
Estéril. Método de esterilización: irradiación.  
Sterilt Steriliseringsmetod: bestråling.  
Steriel. Sterilisatiemethode: bestraling.  
Esterilizado. Método de esterilização: irradiação.  
Steriili. Sterilointimenetelmä: säteilytys.  
Steril. Steriliseringsmetode: Bestråling.  
Στείρο. Μέθοδος αποστείρωσης: ακτινοβολία.  
Steril. Steriliseringsmetode: bestråling.  
Produkt jałowy Metoda sterylizacji: napromienianie.  
Steril. Sterilizálási módszer: besugárzás.  
Sterilní Způsob sterilizace: ozáření.  
Sterilné. Metóda sterilizácie: ožiarenie.  
Sterilno. Metoda sterilizacije: obsevanje.  
Sterils. Sterilizācijas veids: apstarošana.  
Sterilus Sterilizācijas metods: švītināšana.  
Steriilne. Steriliseerimismeetod: kiirgus.  
Steril. Sterilizasyon yöntemi: irradyasyon.  
無菌滅菌方式 : 放射線照射  
Стерильно. Метод стерилизации: облучение.



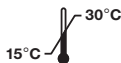
CE-mark and identification number of notified body.  
CE-Zeichen und Identifikationsnummer der Meldestelle.  
Label CE et numéro d'identification de l'organisme notifié.  
Marchio CE e numero identificativo dell'Ente Notificato.  
Marca CE y número de identificación del organismo notificado.  
CE-märke och certifieringsorganets identifieringsnummer.  
CE-märkning en identifikationsnummer van de bevoegde instantie.  
Marca CE e número de identificação do organismo notificado.  
CE-merkki ja viranomaisen tunnusnumero.  
CE-mærke og det notificerede organs identifikationsnummer.  
Σήμανση CE και κωδικός αναγνώρισης κοινοποιημένου φορέα.  
CE-merke og identifiseringsnummer på varslet organ.  
Symbol CE i numer identyfikacyjny jednostki notyfikacyjnej.  
Tanúsító szerv CE jelölése és azonosítószáma.  
Značka CE a identifikační číslo autorizované osoby.  
Označenie CE a identifikačné číslo notifikovaného orgánu.  
CE simboli in identifikacijska številka obveščenege organa.  
EP standarts un firmas reģistrācijas numurs.  
CE ženklas ir registruotos institucijos identifikacijos numeris.  
CE-mārgis ja teavitatud asutuse identifikācijasnumers.  
CE işareti ve yetkili kurumun kod numarası.  
CE 標誌和合格驗證機構的識別號碼  
Знак CE и идентификационный номер уполномоченного органа.

#### LOT

Batch number.  
Chargennummer.  
Numéro de lot.  
Numero di lotto.  
Número de lote.  
Partinummer.  
Chargennummer.  
Número de lote.  
Eränumero:  
Partinummer.  
Αριθμός παρτίδας.  
Batchnummer.  
Numer serii.  
Tételszám.  
Číslo šarže.  
Číslo výrobnéj šarže.  
Številka serije.  
Partijas numurs.  
Partijos numeris.  
Partii number:  
Parti no.  
批號  
Номер партии.



Attention, see instructions for use.  
Achtung, vor Gebrauch Anweisung lesen.  
Attention ! Se référer au mode d'emploi.  
Attenzione, vedere il foglio illustrativo.  
Atención - Vea el modo de empleo.  
Varning - se användarinstruktionerna.  
Let op, zie gebruiksvorschriften.  
Atenção: consulte as Instruções de Utilização.  
Huomautus! Lue käyttöohjeet.  
Se brugsvejledningen.  
Προσοχή, βλ. οδηγίες χρήσης.  
Viktig, se bruksanvisningen.  
Uwaga, przeczytać instrukcję przez użyciem.  
Figyelem, lásd a használati útmutatót.  
Pozor, viz pokyny k použití.  
Pozor, pozri pokyny na použitie.  
Pozor, glej navodila za uporabo.  
Uzmanību, skatīt lietošanas instrukciju.  
Atkreipti dėmesį, žr. naudojimo instrukcijas.  
Tähelepanu, lugege hoolikalt kasutusjuhendit.  
Dikkat, kullanim için talimatlara bakın.  
注意，請參閱使用說明  
Внимание, см. инструкции по применению.



Store 15-30°C.  
Lagerung bei 15-30°C.  
Conserver à 15-30°C.  
Conservare a 15-30°C.  
Almacénese a 15-30°C.  
Förvaras vid 15-30°C.  
Bewaren bij 15-30°C.  
Armazenar a 15-30°C.  
Säilytys 15 - 30°C.  
Opbevares ved 15-30°C.  
Φυλάσσεται στους 15-30°C.  
Lagres ved 15-30°C.  
Przechowywać w temperaturze 15-30°C.  
Tárolás 15-30°C-on.  
Skladujte při teplotě 15 - 30 °C.  
Uchovávejte pri 15 - 30°C.  
Hranite pri 15-30°C.  
Uzglabāt 15-30°C.  
Laikyti 15-30°C temperatūroje.  
Säilitage temperatuuril 15-30 °C.  
15-30°C'de saklayın.  
存放溫度 15-30°C  
Хранить при 15-30°C.



Manufacturer.  
Hersteller.  
Fabricant.  
Produttore.  
Fabricante.  
Tillverkare.  
Fabrikant.  
Valmistaja.  
Producent.  
Κατασκευαστής.  
Tilvirker.  
Gyártó.  
Výrobce:  
Výrobca.  
Proizvajalec.  
Ražotājs.  
Gamintojas.  
Tootja.  
Üretici.  
製造商  
Производитель.

## **EC REP**

Authorised representative in the European community.  
Bevollmächtigter Vertreter in der Europäischen Gemeinschaft.  
Représentant agréé dans la Communauté européenne.  
Rappresentante autorizzato nella Comunità europea.  
Representante autorizado en la Comunidad Europea.  
Auktoriserad representant i Europeiska gemenskapen.  
Geautoriseerde vertegenwoordiger in de Europese Gemeenschap.  
Representante Autorizado na Comunidade Europeia.  
Valtuutettu edustaja Euroopan yhteisössä.  
Autoriseret repræsentant i EU.  
Εξουσιοδοτημένος αντιπρόσωπος στην Ευρωπαϊκή κοινότητα.  
Autorisert representant i EU-land.  
Autoryzowany przedstawiciel w Unii Europejskiej.  
Felhatalmazott képviselő az Európai Közösségben.  
Autorizovaný zástupce v Evropském společenství.  
Autorizovaný zástupca v Európskych spoločenstvách.  
Pooblaščený zastopnik v državah Evropske skupnosti.  
Pilnvarotais pārstāvis Eiropas kopienā.  
Įgaliotas atstovas Europos Bendrijoje.  
Volitatud esindaja Euroopa Ühenduses.  
Avrupa birliğinin yetkili temsilcisi.  
歐洲共同體的授權代表  
Уполномоченный представитель в Европейском экономическом сообществе.



\* Trademark

© **ETHICON, INC. 2008**



Manufacturer/Hersteller/Fabricant/Produttore/  
Fabricante/Tillverkare/Fabrikant/Valmistaja/  
Produce/Κατασκευαστής/Tilvirker/Gyártó/  
Výrobce/Výrobca/Proizvajalec/Ražotājs/  
Gamintojas/Tootja/Üretici/製造商/Производитель.

**ETHICON, LLC**

**San Lorenzo, Puerto Rico 00754**



ETHICON, Division of Johnson & Johnson Medical Limited,  
PO Box 1988, Simpson Parkway,  
Kirkton Campus, Livingston,  
EH64 0AB, Scotland

**CE**  
0086



389694.R1